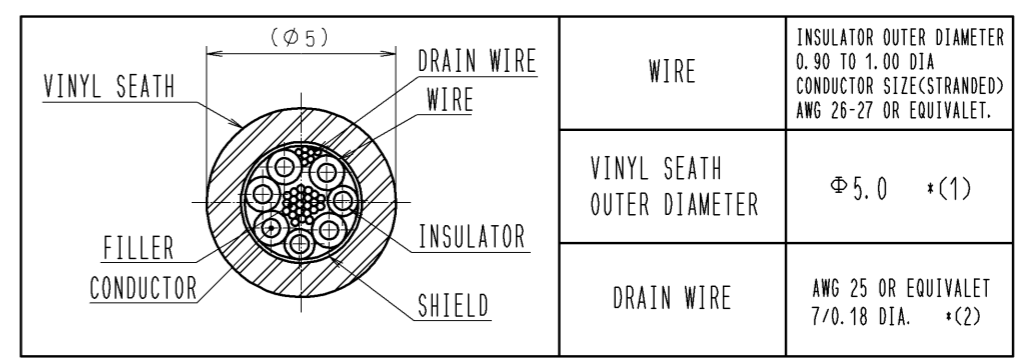


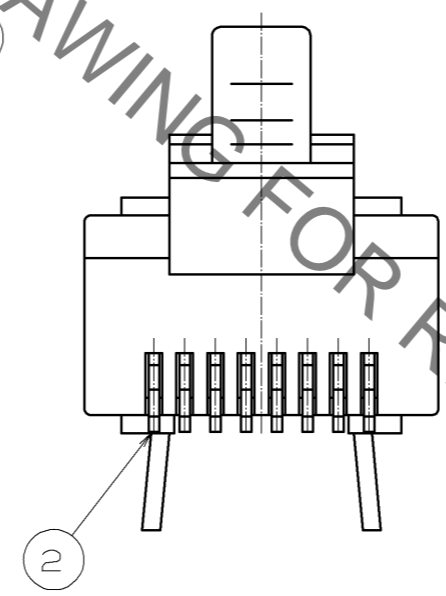
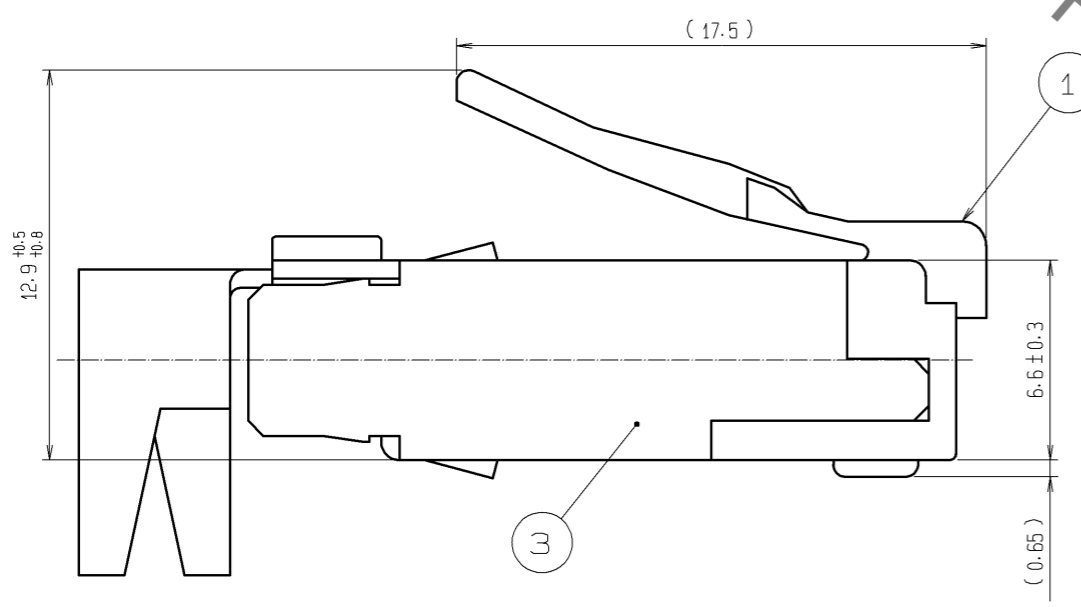
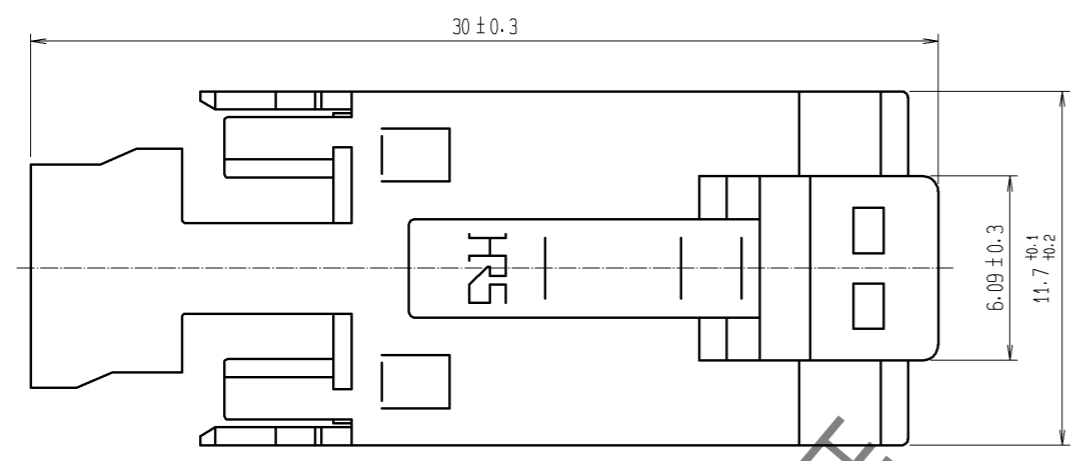
Sep.1.2021 Copyright 2021 HIROSE ELECTRIC CO., LTD. All Rights Reserved.  
In case of consideration for using Automotive equipment / device which demand high reliability, kindly contact our sales window correspondents.

NOTES 1. APPLICABLE CABLE.

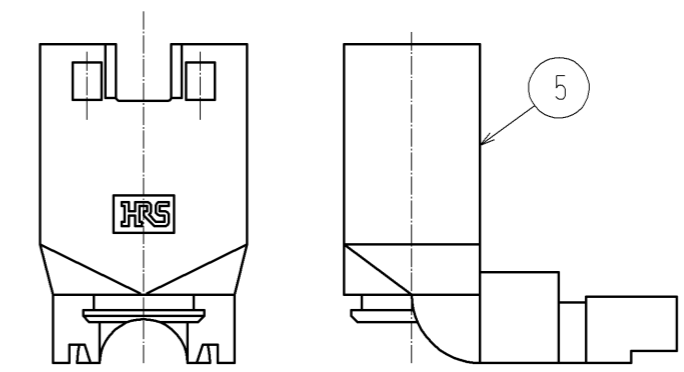


\*(1) CABLE ENTRY IS 5.6MIN.  
\*(2) CONSTRUCTION IS FOR REFERENCE.

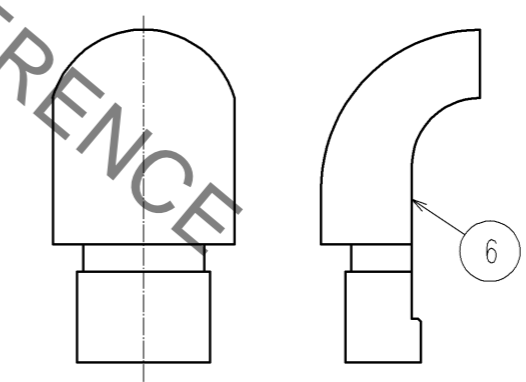
② ADAPTER SHALL BE USED TO ALIGN INDIVIDUAL WIRE.  
3. THE DIMENSION IN PARENTHESIS IS FOR REFERENCE.



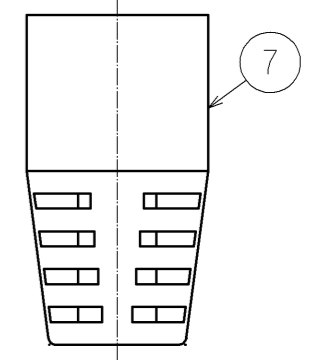
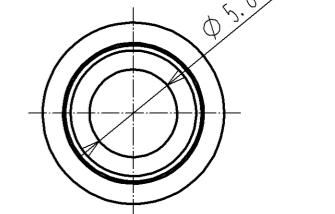
HOOD (A) (2:1)  
ATTACED



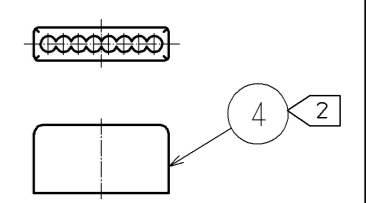
HOOD (B) (2:1)  
ATTACED



BUSH (2:1)  
ATTACED



ADAPTER (2:1)  
ATTACED



3	BRASS	OVER :TIN REFLOW PLATING 1μm min UNDER:COPPERPLATING 0.5μm min	7	PVC	LIGHT BEIGE
2	PHOSPHOR BRONZE	CONTACT :GOLD PLATING 1.27μm min TERMINAL:GOLD PLATING 0.03μm min UNDER :NICKEL PLATING 2μm min	6	POLYCARBONATE	LIGHT BEIGE
1	POLYCARBONATE	TRANSPARENCY	5	POLYCARBONATE	LIGHT BEIGE
			4	POLYCARBONATE	TRANSPARENCY
NO.	MATERIAL	FINISH . REMARKS	NO.	MATERIAL	FINISH . REMARKS

UNITS mm		SCALE 4 : 1	COUNT 	DESCRIPTION OF REVISIONS	DESIGNED	CHECKED	DATE
HIROSE ELECTRIC CO., LTD.				APPROVED : YH. ENAMI 08.06.11 CHECED : HO. MIWA 08.06.11 DESIGNED : KI. NAGANUMA 08.06.10 DRAWN : KI. NAGANUMA 08.06.10	DRAWING NO. EDC3-120682-02 PART NO. TM11APA1-88P CODE NO. CL222-2783-4-00		
				1/1			

## X-ON Electronics

Largest Supplier of Electrical and Electronic Components

*Click to view similar products for [Modular Connectors](#) / [Ethernet Connectors](#) category:*

*Click to view products by [Hirose](#) manufacturer:*

Other Similar products are found below :

[8949-H88/06BLKA/SN](#) [74441-0010/BKN](#) [MP1010RX-1000](#) [MP44RX-1000](#) [PHJ-4P4C-1-V-4](#) [PHP-6P6C-5](#) [GAX-3-66](#) [GAX-8-62](#) [GDCX-PA-66-50](#) [GDCX-PN-64](#) [GDCX-PN-66](#) [GDCX-PN-66-50](#) [GDLX-A-66](#) [GDLX-N-66](#) [GDLX-S-66](#) [GDLX-S-88K](#) [GDTX-S-88-50](#) [GDX-PA-1010](#) [GLX-N-1010M-BLK](#) [GLX-S-88M-BLK](#) [GMX-N-1010](#) [GMX-S-1010](#) [GMX-S-66](#) [GMX-SMT4-N-88](#) [GPX-2-64](#) [GSGX-N-2-88](#) [GSGX-N-4-88](#) [GSX-NS2-88-3.05-50](#) [PT-108A-8C-UL](#) [PT-J951-8C](#) [PTS-J531-8CS-50UL](#) [1-1775629-2](#) [A-2014-0-4](#) [GWLX-S-88-GR](#) [GWLX-S9-88-YG](#) [DC-1021-8-WH-6](#) [1300530003](#) [1324640-4](#) [RJ11FTVC2G](#) [RJ11FTVC2N](#) [RJFTVX2SA1G](#) [132764-001](#) [1413235](#) [MP88X-1000](#) [MPS88RX-5000](#) [MRJR-5481-0F2](#) [E5288-S000K3-L](#) [E5908-15A242-L](#) [155302-001](#) [AX100653](#)