

Sep.1.2021 Copyright 2021 HIROSE ELECTRIC CO., LTD. All Rights Reserved.
In case of consideration for using Automotive equipment / device which demand high reliability, kindly contact our sales window correspondents.

COUNT	DESCRIPTION OF REVISIONS	BY	CHKD	DATE	COUNT	DESCRIPTION OF REVISIONS	BY	CHKD	DATE
	ADAPTED FOR DATA TRANSLATION	Y.K	Y.E	07.07.20					
3	DIS-E-001346	Y.S	Y.E	07.03.20					

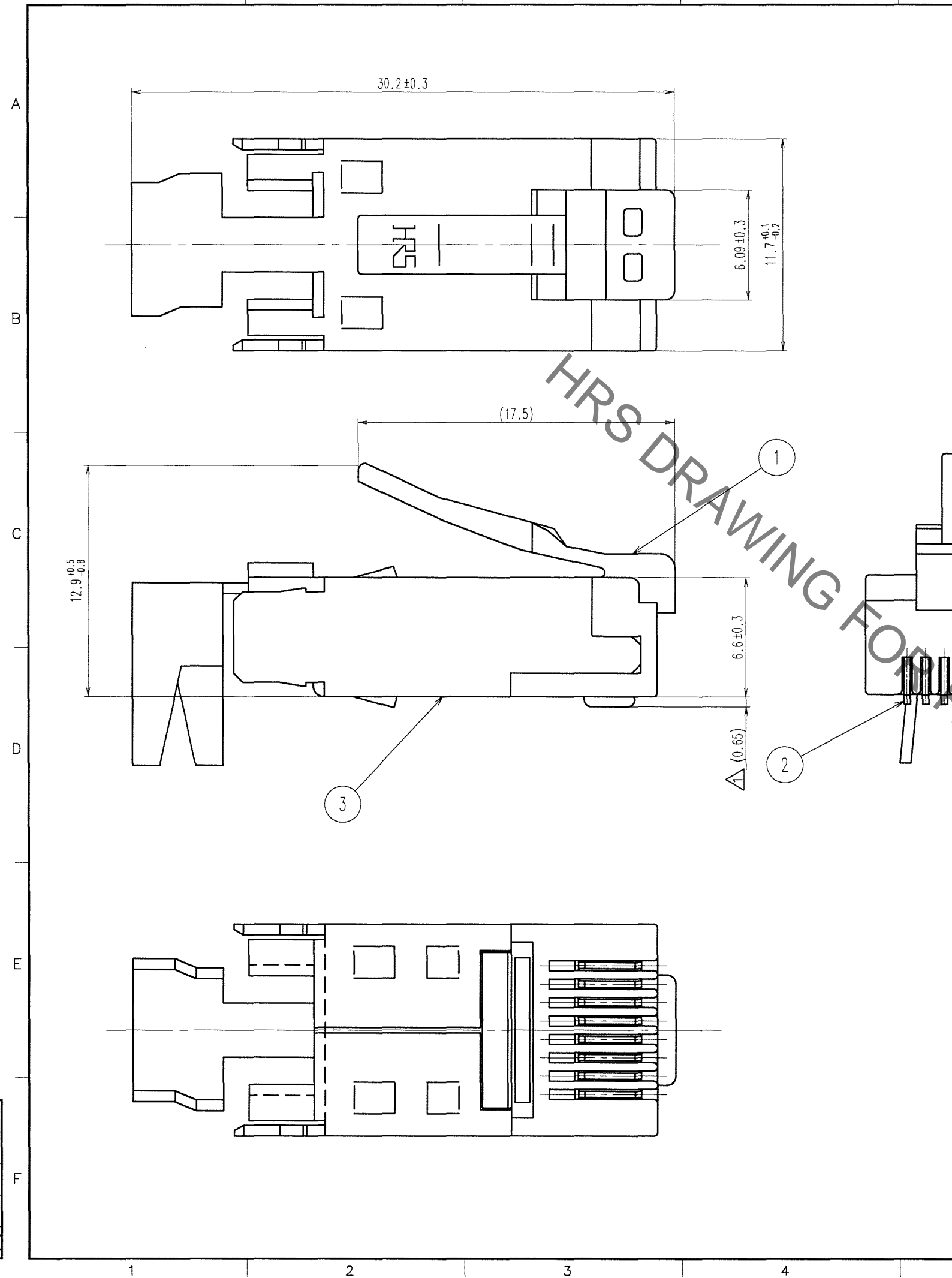
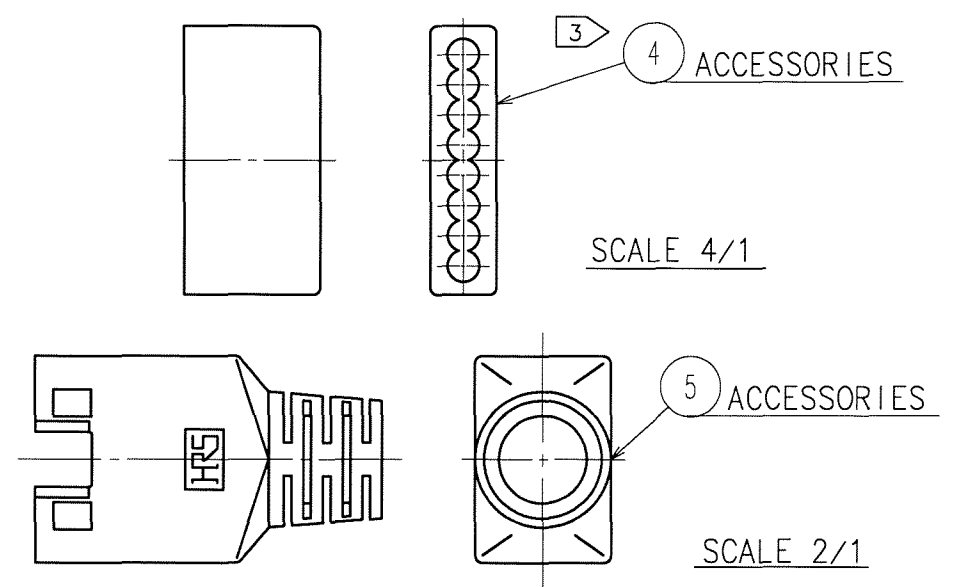


TABLE-1

APPLICABLE CABLE			
JACKET	($\phi 5$)	INSULATION (ϕ mm)	0.90~1.00
SUPPORTER		VINYL SHEATH (ϕ mm)	($\phi 5.0$) ^{*(1)}
CONDUCTOR		DRAIN WIRE	(7/ $\phi 0.18$) ^{*(2)} AWG25



NOTES: 1. () INDICATES THE REFERENCE DIMENSIONS.
 2. APPLICABLE CABLE DIMENSIONS AS SHOWN IN TABLE-1.
 *(1) THIS IS FOR REFERENCE.
 (DIMENSION VARIES ACCORDING TO JACKET HARDNESS.)
 *(2) THIS IS FOR REFERENCE.
 3. APPENDED PART SHALL BE USED TO ALIGN INDIVIDUAL WIRE. (CABLE SHALL BE ASSEMBLED WITH APPENDED PART INSERTED.)

2	PHOSPHOR BRONZE	CONTACT: GOLD PLATING 1.27 μ m min TERMINAL: GOLD PLATING 0.03 μ m min UNDER: NICKEL PLATING 2 μ m min	5	POLYCARBONATE	LIGHT BEIGE UL94V-0
1	POLYCARBONATE	TRANSPARENCY UL94V-0	4	POLYCARBONATE	TRANSPARENCY UL94V-0
			3	BRASS	OVER: TIN REFLOW PLATING 1 μ m min UNDER: COPPER PLATING 0.5 μ m min
NO.	MATERIAL	FINISH, REMARKS	NO.	MATERIAL	FINISH, REMARKS

CODE NO. (OLD)	DRAWN	DESIGNED	CHECKED	APPROVED	RELEASED
	S. Sato	S. Sato	H. Miwa	S. Kikuta	
	'97.10.28	'97.10.28	97.10.28	97.10.29	

SCALE	DRAWING NO.	PART NO.
4 : 1	EDC3-120683-	TM11APX-88P
UNITS	HIROSE ELECTRIC CO., LTD	CODE NO.
mm		CL222-8008-0

TO
Q2
USA

1/1

X-ON Electronics

Largest Supplier of Electrical and Electronic Components

Click to view similar products for [Modular Connectors / Ethernet Connectors](#) category:

Click to view products by [Hirose](#) manufacturer:

Other Similar products are found below :

[8949-H88/06BLKA/SN](#) [74441-0010/BKN](#) [MP1010RX-1000](#) [MP44RX-1000](#) [PHJ-4P4C-1-V-4](#) [PHP-6P6C-5](#) [GAX-3-66](#) [GAX-8-62](#) [GDCX-PA-66-50](#) [GDCX-PN-64](#) [GDCX-PN-66](#) [GDCX-PN-66-50](#) [GDLX-A-66](#) [GDLX-N-66](#) [GDLX-S-66](#) [GDLX-S-88K](#) [GDTX-S-88-50](#) [GDX-PA-1010](#) [GLX-N-1010M-BLK](#) [GLX-S-88M-BLK](#) [GMX-N-1010](#) [GMX-S-1010](#) [GMX-S-66](#) [GMX-SMT4-N-88](#) [GPX-2-64](#) [GSGX-N-2-88](#) [GSGX-N-4-88](#) [GSX-NS2-88-3.05](#) [GSX-NS2-88-3.05-50](#) [GSX-NS-88-3.68](#) [PT-108A-8C-UL](#) [PT-J951-8C](#) [PTS-J531-8CS-50UL](#) [1-1775629-2](#) [A-2014-0-4](#) [GWLX-S-88-GR](#) [GWLX-S9-88-YG](#) [DC-1021-8-WH-6](#) [1300530003](#) [1324640-4](#) [RJ11FTVC2G](#) [RJ11FTVC2N](#) [RJFTVX2SA1G](#) [132764-001](#) [1413235](#) [MP88X-1000](#) [MPS88RX-5000](#) [MRJR-5481-0F2](#) [E5288-S000K3-L](#) [E5908-15A242-L](#)