

Sep.1.2021 Copyright 2021 HIROSE ELECTRIC CO., LTD. All Rights Reserved.
In case of consideration for using Automotive equipment / device which demand high reliability, kindly contact our sales window correspondents.

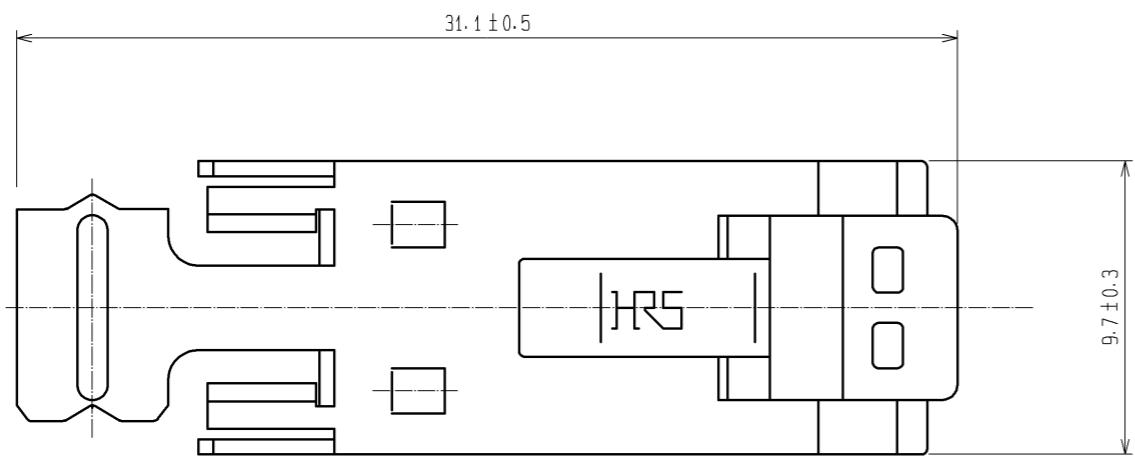
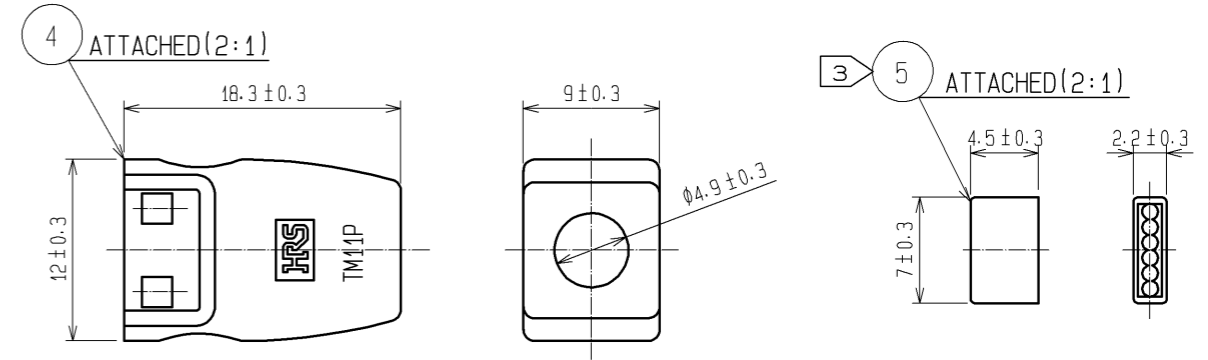
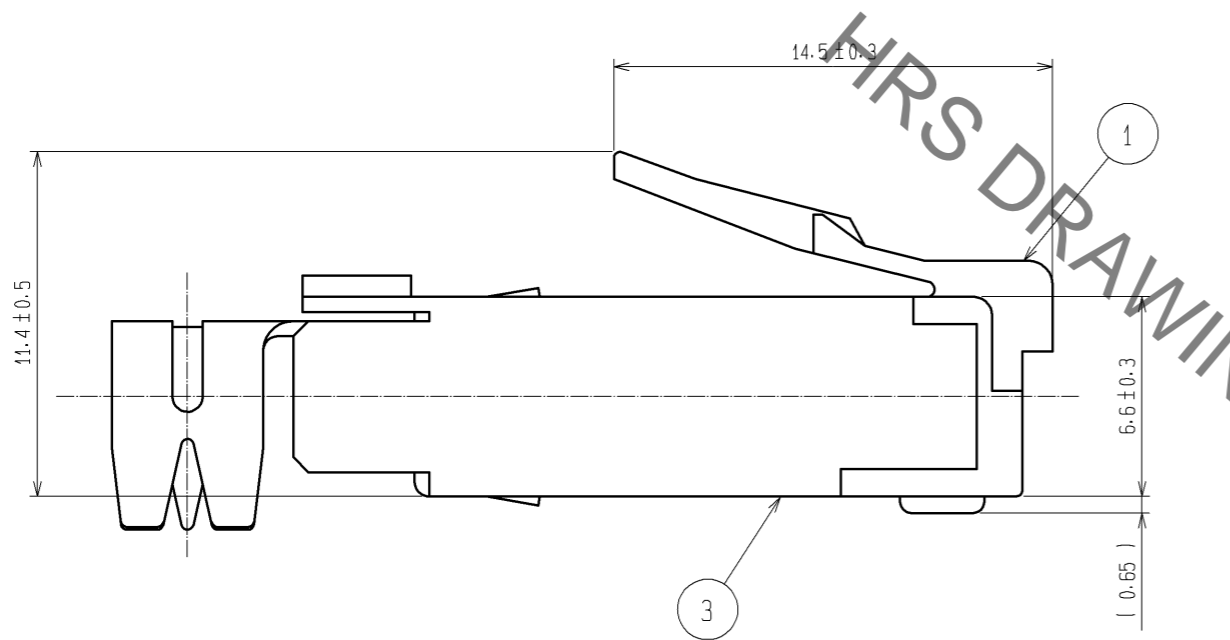
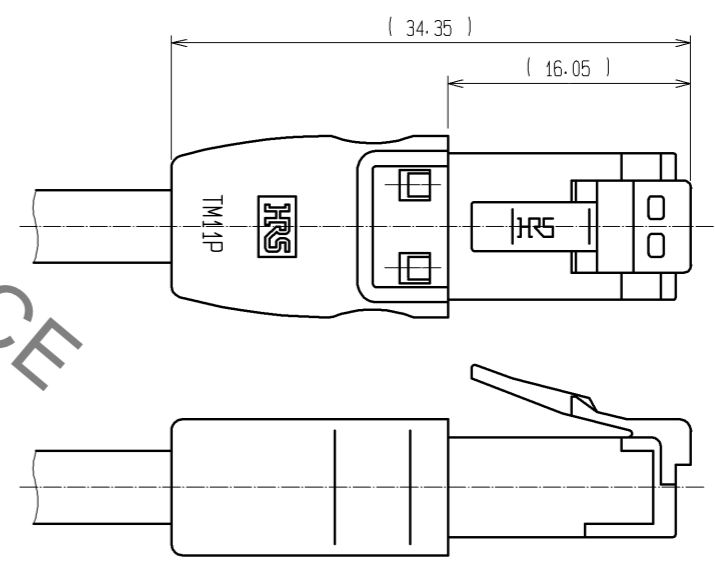


TABLE-1

APPLICABLE CABLE		
	INSULATION (∅mm)	0.90~1.00
	VINYL SHEATH (∅mm)	(4.8) *(1)
	CONDUCTOR	AWG26
	SHIELD	BRAIDED SHIELD



ASSEMBLED (2:1)



NOTES: 1. () INDICATES THE REFERENCE DIMENSIONS.
 2. APPLICABLE CABLE DIMENSIONS AS SHOWN IN TABLE-1.
 *(1) THIS IS FOR REFERENCE.
 (DIMENSION VARIES ACCORDING TO JACKET HARDNESS.)
 3. PLEASE USE ACCESSORY AS A GUIDE PLATE AND ASSEMBLE CONNECTOR WITH CABLES INSERTING ACCESSORY INTO CONNECTOR.

3	BRASS	TIN PLATING 1μm min	5	POLYCARBONATE	TRANSPARENCY
2	PHOSPHOR BRONZE	CONTACT PLATING GOLD 1.27μm min UNDER PLATING NICKEL 2μm min	4	POLYCARBONATE	BLACK
1	POLYCARBONATE	TRANSPARENCY			
NO.	MATERIAL	FINISH, REMARKS	NO.	MATERIAL	FINISH, REMARKS
UNITS mm		SCALE 4:1	COUNT	DESCRIPTION OF REVISIONS	
DESIGNED		CHECKED		DATE	
APPROVED : HO. MIWA 07.09.29			DRAWING NO. EDC3-041197-06		
CHECKED : HO. MIWA 07.09.29			PART NO. TM11P-66P (53)		
DESIGNED : TS. ITO 07.09.29			CODE NO. CL222-2149-9-53		
DRAWN : TS. ITO 07.09.29					

X-ON Electronics

Largest Supplier of Electrical and Electronic Components

Click to view similar products for [Modular Connectors](#) / [Ethernet Connectors](#) category:

Click to view products by [Hirose](#) manufacturer:

Other Similar products are found below :

[8949-H88/06BLKA/SN](#) [74441-0010/BKN](#) [MP1010RX-1000](#) [MP44RX-1000](#) [PHJ-4P4C-1-V-4](#) [PHP-6P6C-5](#) [GAX-3-66](#) [GAX-8-62](#) [GDCX-PA-66-50](#) [GDCX-PN-64](#) [GDCX-PN-66](#) [GDCX-PN-66-50](#) [GDLX-A-66](#) [GDLX-N-66](#) [GDLX-S-66](#) [GDLX-S-88K](#) [GDTX-S-88-50](#) [GDX-PA-1010](#) [GLX-N-1010M-BLK](#) [GLX-S-88M-BLK](#) [GMX-N-1010](#) [GMX-S-1010](#) [GMX-S-66](#) [GMX-SMT4-N-88](#) [GPX-2-64](#) [GSGX-N-2-88](#) [GSGX-N-4-88](#) [GSX-NS2-88-3.05](#) [GSX-NS2-88-3.05-50](#) [GSX-NS-88-3.68](#) [PT-108A-8C-UL](#) [PT-J951-8C](#) [PTS-J531-8CS-50UL](#) [1-1775629-2](#) [A-2014-0-4](#) [GWLX-S-88-GR](#) [GWLX-S9-88-YG](#) [DC-1021-8-WH-6](#) [1300530003](#) [1324640-4](#) [RJ11FTVC2G](#) [RJ11FTVC2N](#) [RJFTVX2SA1G](#) [132764-001](#) [1413235](#) [MP88X-1000](#) [MPS88RX-5000](#) [MRJR-5481-0F2](#) [E5288-S000K3-L](#) [E5908-15A242-L](#)