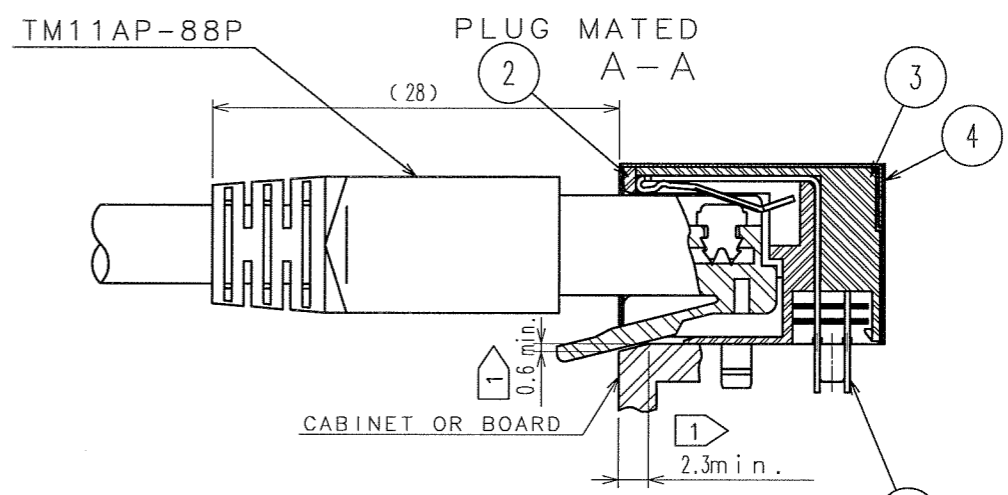
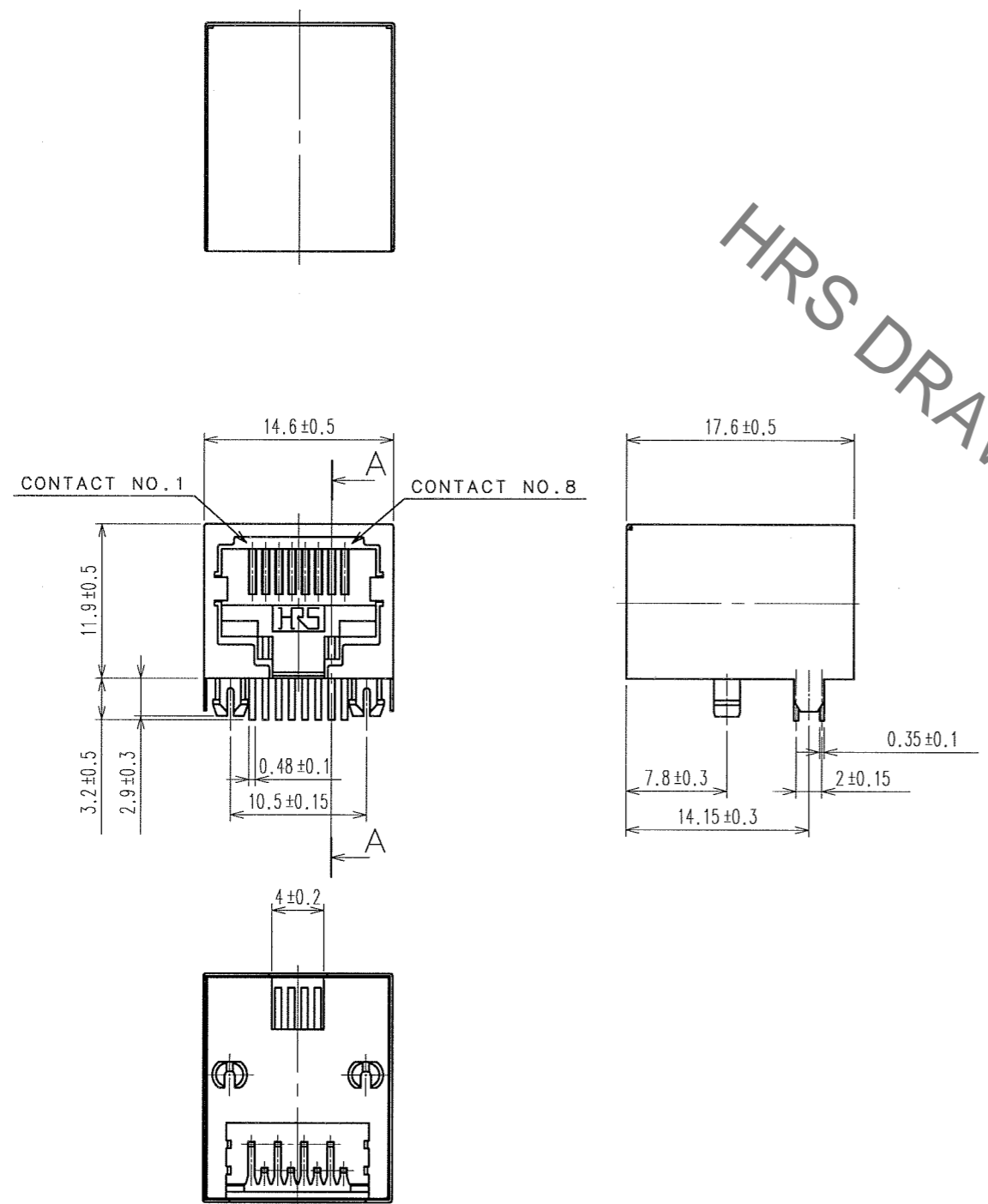


Jul.1.2020 Copyright 2020 HIROSE ELECTRIC CO., LTD. All Rights Reserved.
 In case of consideration for using Automotive equipment / device which demand high reliability, kindly contact our sales window correspondents.

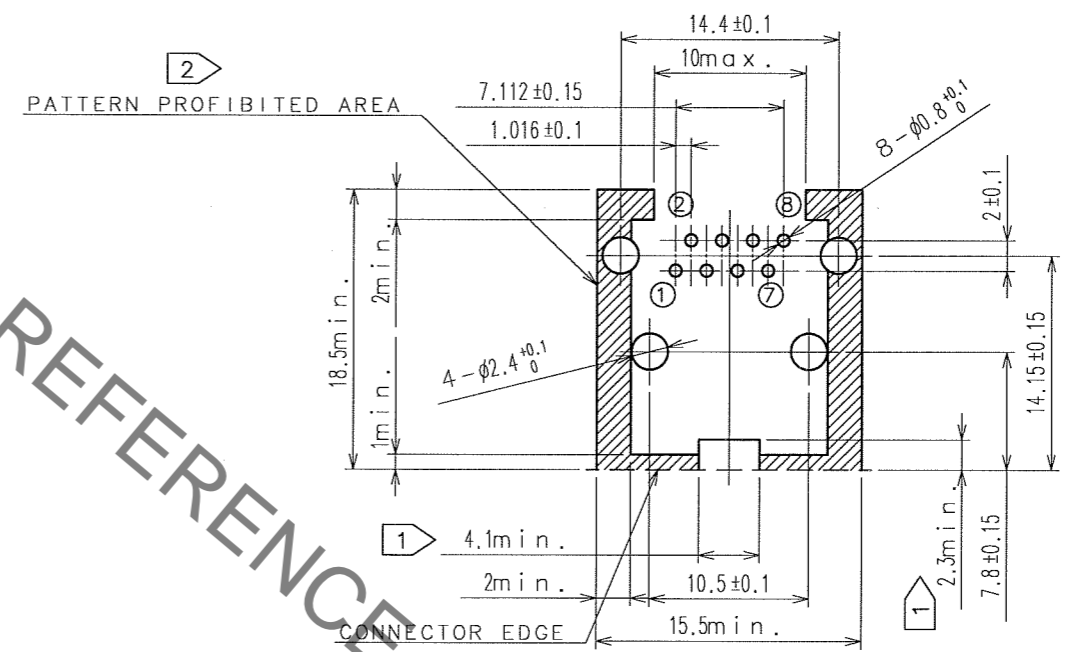
COUNT	DESCRIPTION OF REVISIONS	BY	CHKD	DATE	COUNT	DESCRIPTION OF REVISIONS	BY	CHKD	DATE
△				..	△				..
△				..	△				..
△				..	△				..

A
B
C
D
E
F

A
B
C
D
E
F



PCB LAYOUT (MOUNTED SIDE)
 APPLICABLE BOARD t=1.6



- NOTES
- 1 WHEN CABINET OR BOARD IS MANUFACTURED, DIMENSION AS SHOWN IN FIG. SHALL BE CUT.
 - 2 HATCHING AREA SHOWN IN FIGURE ON MOUNTING SIDE OF BOARD SHALL BE PATTERN PROHIBITED AREA.

2	PBT	UL94V-0 (BLACK)	4	PHOSPHOR BRONZE	TIN REFLOW PLATING
1	PHOSPHOR BRONZE	TIN REFLOW PLATING	3	PBT	UL94V-0 (BLACK)
NO.	MATERIAL	FINISH, REMARKS	NO.	MATERIAL	FINISH, REMARKS
CODE NO. (OLD) CL		DRAWN Y. Sato 05.10.04	DESIGNED T. Taniguchi 05.10.04	CHECKED Y. Enami 05.10.07	APPROVED H. Miura 05.10.13
DRAWING NO. EDC3-047409-01		PART NO. TM11R-5L-88(50)			
SCALE 2 : 1		CODE NO. CL222-2667-3-50			
UNITS mm		HRS HIROSE ELECTRIC CO., LTD			

TO
Q2

X-ON Electronics

Largest Supplier of Electrical and Electronic Components

Click to view similar products for [Modular Connectors](#) / [Ethernet Connectors](#) category:

Click to view products by [Hirose](#) manufacturer:

Other Similar products are found below :

[8949-H88/06BLKA/SN](#) [74441-0010/BKN](#) [MP1010RX-1000](#) [MP44RX-1000](#) [PHJ-4P4C-1-V-4](#) [PHP-6P6C-5](#) [GAX-3-66](#) [GAX-8-62](#) [GDCX-PA-66-50](#) [GDCX-PN-64](#) [GDCX-PN-66](#) [GDCX-PN-66-50](#) [GDLX-A-66](#) [GDLX-N-66](#) [GDLX-S-66](#) [GDLX-S-88K](#) [GDTX-S-88-50](#) [GDX-PA-1010](#) [GLX-N-1010M-BLK](#) [GLX-S-88M-BLK](#) [GMX-N-1010](#) [GMX-S-1010](#) [GMX-S-66](#) [GMX-SMT4-N-88](#) [GPX-2-64](#) [GSGX-N-2-88](#) [GSGX-N-4-88](#) [GSX-NS2-88-3.05-50](#) [PT-108A-8C-UL](#) [PT-J951-8C](#) [PTS-J531-8CS-50UL](#) [1-1775629-2](#) [A-2014-0-4](#) [GWLX-S-88-GR](#) [GWLX-S9-88-YG](#) [DC-1021-8-WH-6](#) [1300530003](#) [1324640-4](#) [RJ11FTVC2G](#) [RJ11FTVC2N](#) [RJFTVX2SA1G](#) [132764-001](#) [1413235](#) [MP88X-1000](#) [MPS88RX-5000](#) [MRJR-5481-0F2](#) [E5288-S000K3-L](#) [E5908-15A242-L](#) [155302-001](#) [AX100653](#)