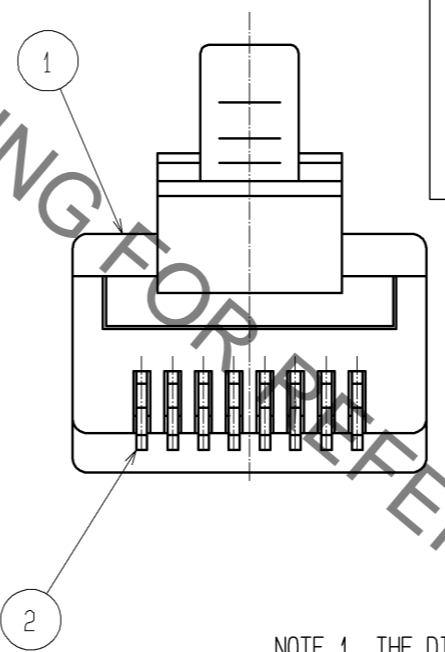
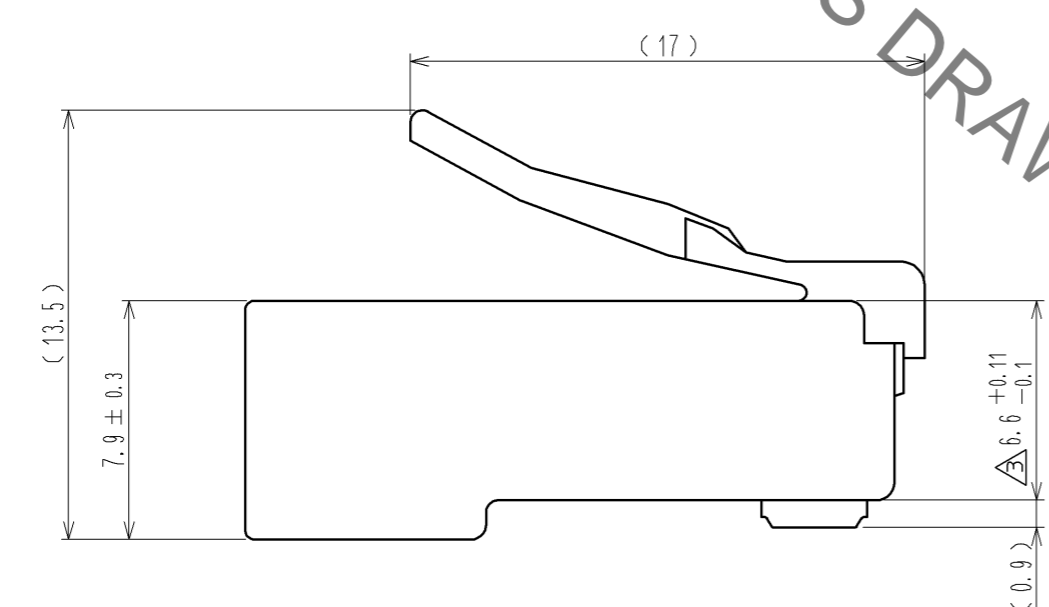
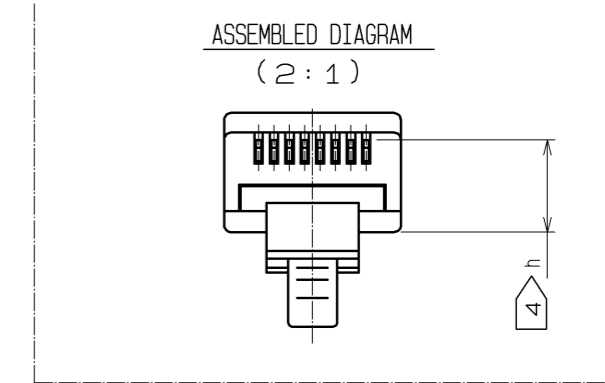
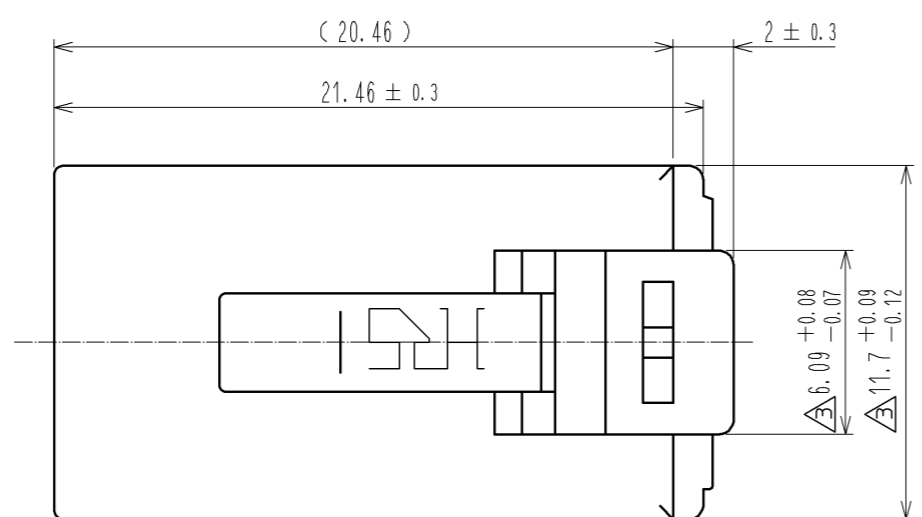


Aug.1.2021 Copyright 2021 HIROSE ELECTRIC CO., LTD. All Rights Reserved.
 In case of consideration for using Automotive equipment / device which demand high reliability, kindly contact our sales window correspondents.



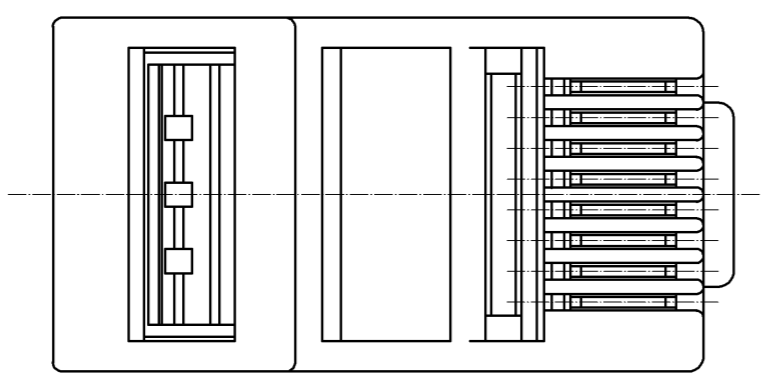
2 TABLE-1

APPLICABLE CABLE WIRE	
CONFIGURATION (FOR REF.)	
INSULATOR DIAMETER	Ø0.90 ~ 1.00
CONDUCTOR	Ø0.4 ~ 0.65 SOLID WIRE

3 TABLE-2

TYPE	PART NO.
APPLICATOR	BTA-104
HANDTOOL BODY	#901520

NOTE 1 THE DIMENSIONS IN PARENTHESIS ARE FOR REFERENCE.
 2 APPLICABLE CABLE IS SHOWN IN TABLE-1.
 3 HIROSE'S SPECIAL ASSEMBLY TOOL MUST BE USED TO ASSEMBLE THIS CONNECTOR. (REFER TO TABLE-2)
 4 CONTACT HEIGHT h AFTER ASSEMBLY SHALL BE 5.89 TO 6.14.



1	POLYCARBONATE	(CLEAR) UL94V-0	2	PHOSPHOR BRONZE	GOLD PLATING 1.27 μm min
NO.	MATERIAL	FINISH . REMARKS	NO.	MATERIAL	FINISH . REMARKS
UNITS mm		SCALE 4 : 1	COUNT 3	DESCRIPTION OF REVISIONS DIS-E-003191	DESIGNED YH.MAMADA
HIROSE ELECTRIC CO., LTD.		APPROVED : HO.MIWA	06.01.27	DRAWING NO.	EDC3-043131-01
		CHECKED : YH.ENAMI	06.01.27	PART NO.	TM20P-88P
		DESIGNED : TS.ITO	06.01.23	CODE NO.	CL222-2217-7-00
		DRAWN : TS.ITO	06.01.23		

X-ON Electronics

Largest Supplier of Electrical and Electronic Components

Click to view similar products for [Modular Connectors / Ethernet Connectors](#) category:

Click to view products by [Hirose](#) manufacturer:

Other Similar products are found below :

[8949-H88/06BLKA/SN](#) [74441-0010/BKN](#) [MP1010RX-1000](#) [MP44RX-1000](#) [PHJ-4P4C-1-V-4](#) [PHP-6P6C-5](#) [GAX-3-66](#) [GAX-8-62](#) [GDCX-PA-66-50](#) [GDCX-PN-64](#) [GDCX-PN-66](#) [GDCX-PN-66-50](#) [GDLX-A-66](#) [GDLX-N-66](#) [GDLX-S-66](#) [GDLX-S-88K](#) [GDTX-S-88-50](#) [GDX-PA-1010](#) [GLX-N-1010M-BLK](#) [GLX-S-88M-BLK](#) [GMX-N-1010](#) [GMX-S-1010](#) [GMX-S-66](#) [GMX-SMT4-N-88](#) [GPX-2-64](#) [GSGX-N-2-88](#) [GSGX-N-4-88](#) [GSX-NS2-88-3.05](#) [GSX-NS2-88-3.05-50](#) [GSX-NS-88-3.68](#) [PT-108A-8C-UL](#) [PT-J951-8C](#) [PTS-J531-8CS-50UL](#) [1-1775629-2](#) [A-2014-0-4](#) [GWLX-S-88-GR](#) [GWLX-S9-88-YG](#) [DC-1021-8-WH-6](#) [1300530003](#) [1324640-4](#) [RJ11FTVC2G](#) [RJ11FTVC2N](#) [RJFTVX2SA1G](#) [132764-001](#) [1413235](#) [MP88X-1000](#) [MPS88RX-5000](#) [MRJR-5481-0F2](#) [E5288-S000K3-L](#) [E5908-15A242-L](#)