

Sep.1.2021 Copyright 2021 HIROSE ELECTRIC CO., LTD. All Rights Reserved.
In case of consideration for using Automotive equipment / device which demand high reliability, kindly contact our sales window correspondents.

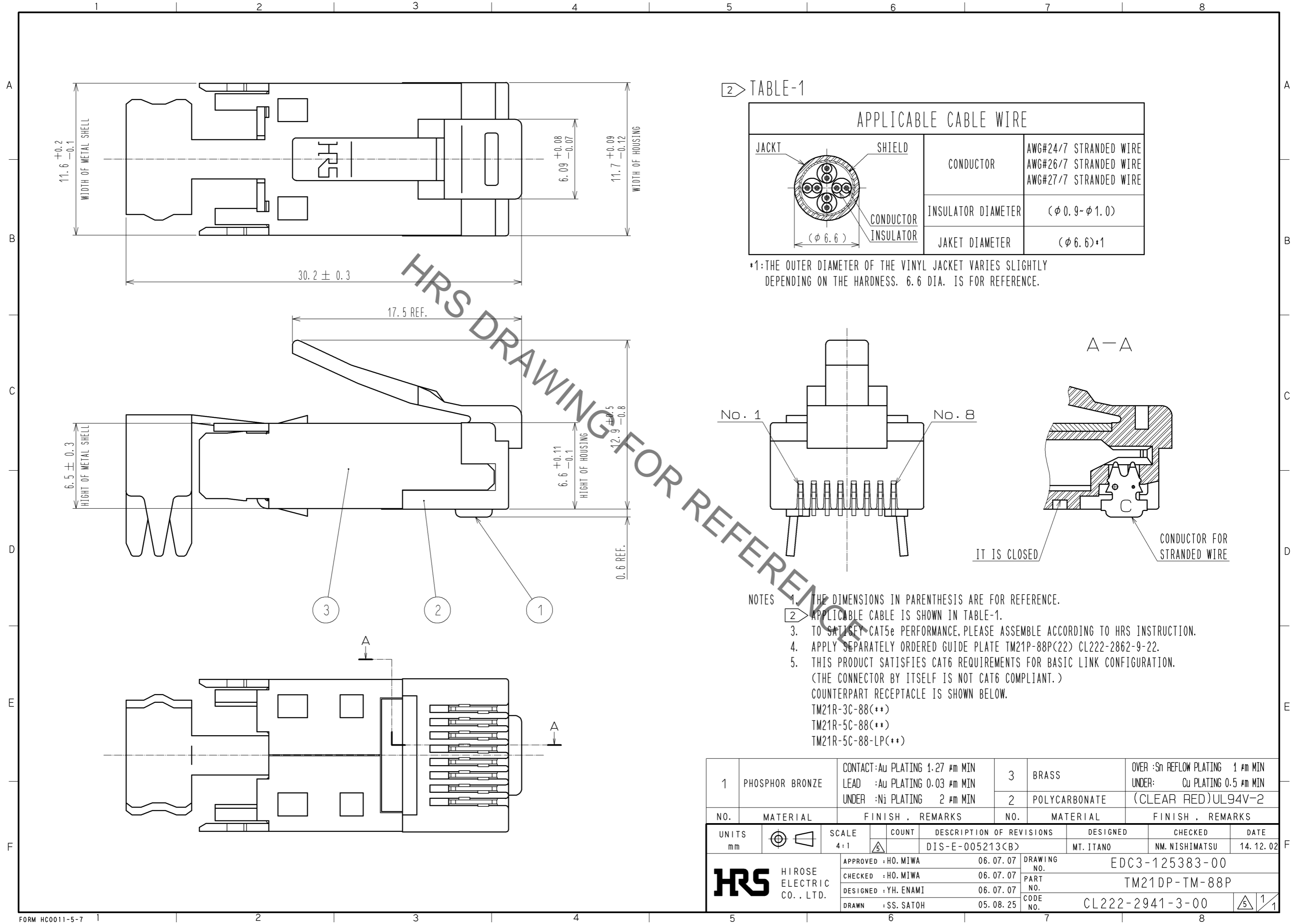
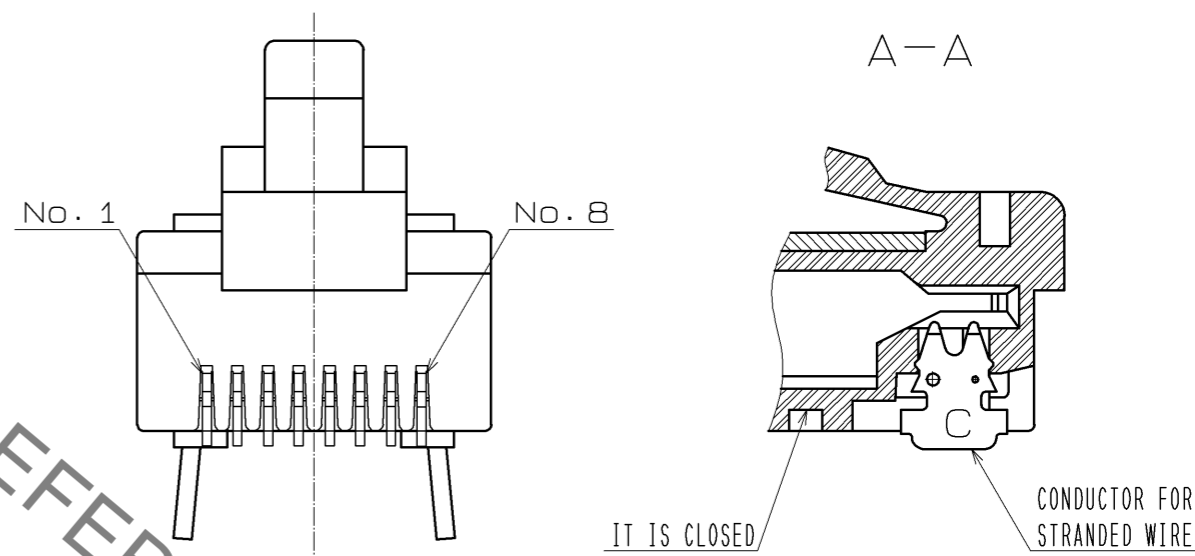


TABLE-1

APPLICABLE CABLE WIRE			
	CONDUCTOR	AWG#24/7 STRANDED WIRE AWG#26/7 STRANDED WIRE AWG#27/7 STRANDED WIRE	
	INSULATOR DIAMETER	(φ 0.9~φ 1.0)	
	JAKET DIAMETER	(φ 6.6)*1	

*1: THE OUTER DIAMETER OF THE VINYL JACKET VARIES SLIGHTLY DEPENDING ON THE HARDNESS. 6.6 DIA. IS FOR REFERENCE.



- NOTES
1. THE DIMENSIONS IN PARENTHESIS ARE FOR REFERENCE.
 2. APPLICABLE CABLE IS SHOWN IN TABLE-1.
 3. TO SATISFY CAT5e PERFORMANCE, PLEASE ASSEMBLE ACCORDING TO HRS INSTRUCTION.
 4. APPLY SEPARATELY ORDERED GUIDE PLATE TM21P-88P(22) CL222-2862-9-22.
 5. THIS PRODUCT SATISFIES CAT6 REQUIREMENTS FOR BASIC LINK CONFIGURATION. (THE CONNECTOR BY ITSELF IS NOT CAT6 COMPLIANT.) COUNTERPART RECEPTACLE IS SHOWN BELOW.
TM21R-3C-88(**)
TM21R-5C-88(**)
TM21R-5C-88-LP(**)

1	PHOSPHOR BRONZE	CONTACT : Au PLATING 1.27 μm MIN LEAD : Au PLATING 0.03 μm MIN UNDER : Ni PLATING 2 μm MIN	3	BRASS	OVER : Sn REFLOW PLATING 1 μm MIN UNDER : Cu PLATING 0.5 μm MIN		
			2	POLYCARBONATE	(CLEAR RED)UL94V-2		
NO.	MATERIAL	FINISH . REMARKS	NO.	MATERIAL	FINISH . REMARKS		
UNITS mm		SCALE 4:1	COUNT 	DESCRIPTION OF REVISIONS DIS-E-005213(B)	DESIGNED MT. ITANO	CHECKED NM. NISHIMATSU	DATE 14. 12. 02
HRS HIROSE ELECTRIC CO., LTD.		APPROVED : HO. MIWA	06. 07. 07	DRAWING NO. EDC3-125383-00			
		CHECKED : HO. MIWA	06. 07. 07	PART NO. TM21DP-TM-88P			
		DESIGNED : YH. ENAMI	06. 07. 07	CODE NO. CL222-2941-3-00			
		DRAWN : SS. SATOH	05. 08. 25				

X-ON Electronics

Largest Supplier of Electrical and Electronic Components

Click to view similar products for [Modular Connectors / Ethernet Connectors](#) category:

Click to view products by [Hirose](#) manufacturer:

Other Similar products are found below :

[8949-H88/06BLKA/SN](#) [74441-0010/BKN](#) [MP1010RX-1000](#) [MP44RX-1000](#) [PHJ-4P4C-1-V-4](#) [PHP-6P6C-5](#) [GAX-3-66](#) [GAX-8-62](#) [GDCX-PA-66-50](#) [GDCX-PN-64](#) [GDCX-PN-66](#) [GDCX-PN-66-50](#) [GDLX-A-66](#) [GDLX-N-66](#) [GDLX-S-66](#) [GDLX-S-88K](#) [GDTX-S-88-50](#) [GDX-PA-1010](#) [GLX-N-1010M-BLK](#) [GLX-S-88M-BLK](#) [GMX-N-1010](#) [GMX-S-1010](#) [GMX-S-66](#) [GMX-SMT4-N-88](#) [GPX-2-64](#) [GSGX-N-2-88](#) [GSGX-N-4-88](#) [GSX-NS2-88-3.05](#) [GSX-NS2-88-3.05-50](#) [GSX-NS-88-3.68](#) [PT-108A-8C-UL](#) [PT-J951-8C](#) [PTS-J531-8CS-50UL](#) [1-1775629-2](#) [A-2014-0-4](#) [GWLX-S-88-GR](#) [GWLX-S9-88-YG](#) [DC-1021-8-WH-6](#) [1300530003](#) [1324640-4](#) [RJ11FTVC2G](#) [RJ11FTVC2N](#) [RJFTVX2SA1G](#) [132764-001](#) [1413235](#) [MP88X-1000](#) [MPS88RX-5000](#) [MRJR-5481-0F2](#) [E5288-S000K3-L](#) [E5908-15A242-L](#)