

Aug.1.2021 Copyright 2021 HIROSE ELECTRIC CO., LTD. All Rights Reserved.
In case of consideration for using Automotive equipment / device which demand high reliability, kindly contact our sales window correspondents.

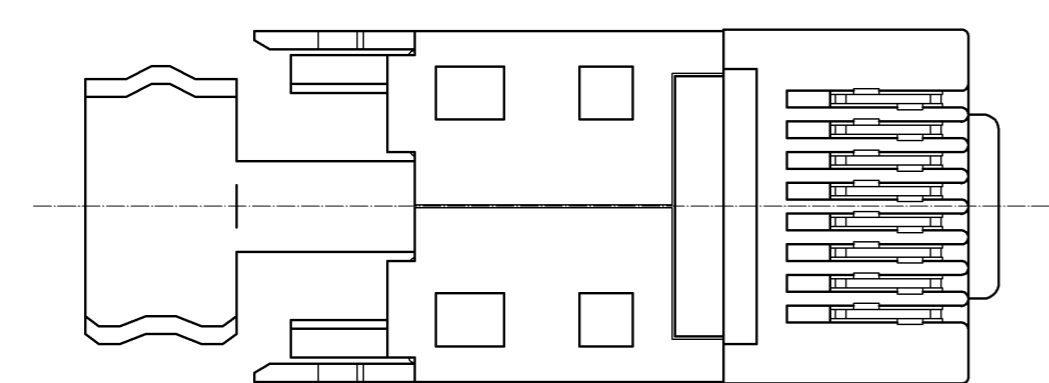
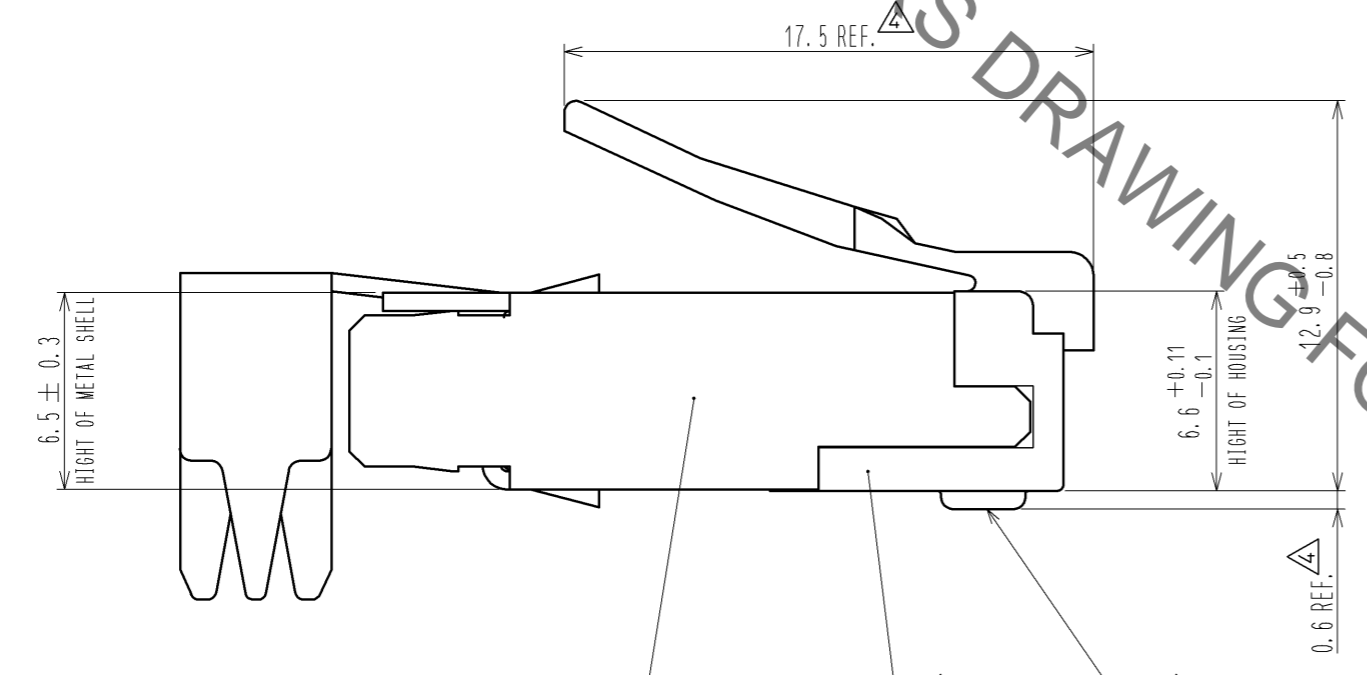
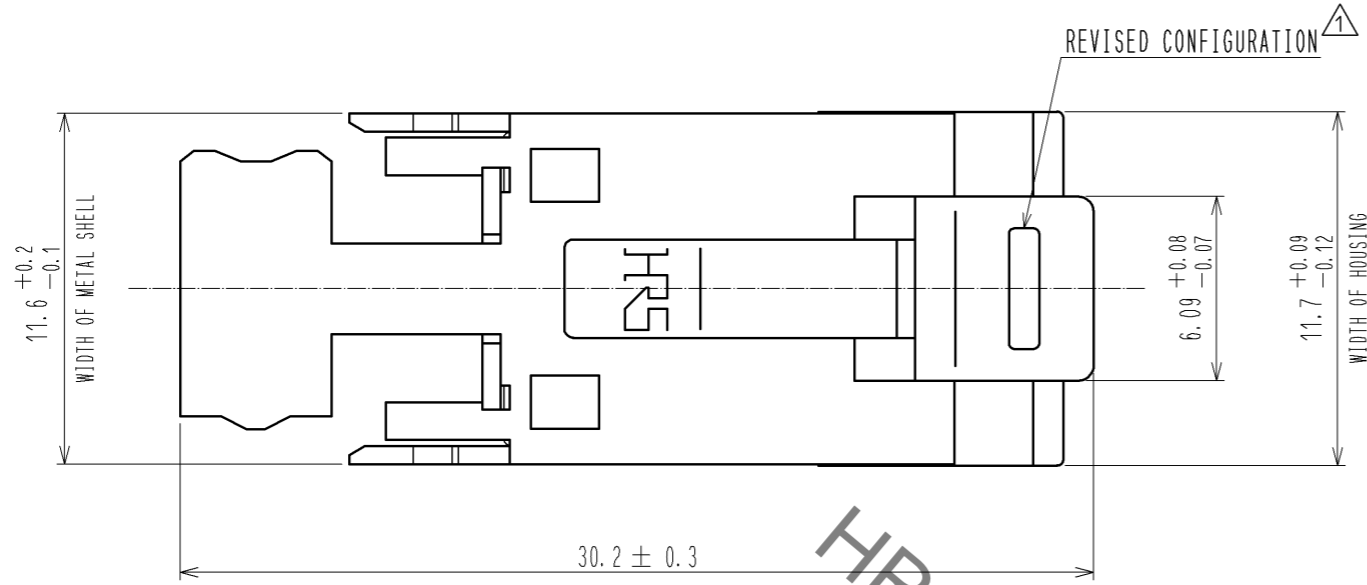
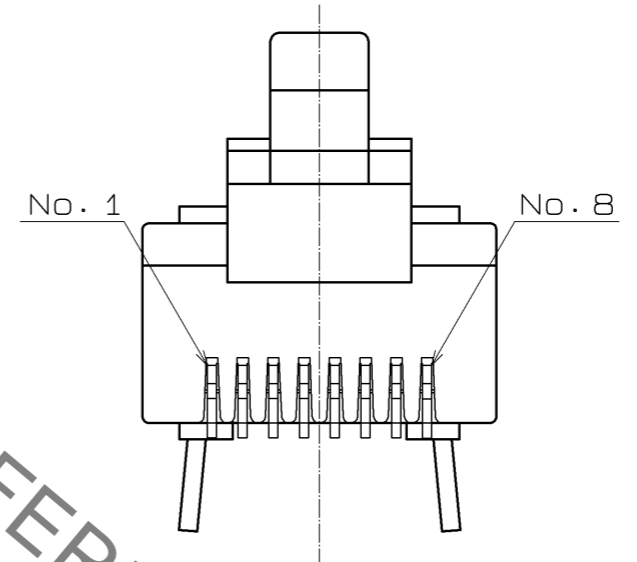


TABLE-1

APPLICABLE CABLE WIRE			
JACKET	SHIELD	CONDUCTOR	φ 0.5 SOLID WIRE
			AWG#24 STRANDED WIRE (φ 0.2/7)
CORE	CONDUCTOR INSULATOR	INSULATOR DIAMETER	AWG#25 STRANDED WIRE (φ 0.18/7)
			JAKET DIAMETER
			(φ 6.6)*1

*1: THE OUTER DIAMETER OF THE VINYL JACKET VARIES SLIGHTLY DEPENDING ON THE HARDNESS. 6.6 DIA. IS FOR REFERENCE.



- NOTES
- THE DIMENSIONS IN PARENTHESIS ARE FOR REFERENCE.
 - APPLICABLE CABLE IS SHOWN IN TABLE-1.
 - TO SATISFY CAT5e PERFORMANCE, PLEASE ASSEMBLE ACCORDING TO HRS INSTRUCTION.
 - APPLY SEPARATELY ORDERED GUIDE PLATE TM21P-88P(22) CL222-2862-9-22.
 - THIS PRODUCT SATISFIES CAT6 REQUIREMENTS FOR BASIC LINK CONFIGURATION. (THE CONNECTOR BY ITSELF IS NOT CAT6 COMPLIANT.) COUNTERPART RECEPTACLE IS SHOWN BELOW.
TM21R-3C-88(**)
TM21R-5C-88(**)
TM21R-5C-88-LP(**)

1	PHOSPHOR BRONZE	CONTACT : Au PLATING 1.27 μm MIN LEAD : Au PLATING 0.03 μm MIN UNDER : Ni PLATING 2 μm MIN	3	BRASS	OVER : Sn REFLOW PLATING 1 μm MIN UNDER : Cu PLATING 0.5 μm MIN		
2			2	POLYCARBONATE	(CLEAR RED) UL94V-2		
NO.	MATERIAL	FINISH . REMARKS	NO.	MATERIAL	FINISH . REMARKS		
UNITS	mm	SCALE 4:1	COUNT 12	DESCRIPTION OF REVISIONS	DESIGNED MT. ITANO	CHECKED KI. NAGANUMA	DATE 10.04.09
APPROVED : HO. MIWA		05.01.05		DRAWING NO. EDC3-121484-05			
CHECKED : TH. KAMEYA		05.01.05		PART NO. TM21P-88P(31)			
DESIGNED : SS. SATOH		05.01.05		CODE NO. CL222-2862-9-31			
DRAWN : SS. SATOH		05.01.05					

X-ON Electronics

Largest Supplier of Electrical and Electronic Components

Click to view similar products for [Modular Connectors](#) / [Ethernet Connectors](#) category:

Click to view products by [Hirose](#) manufacturer:

Other Similar products are found below :

[8949-H88/06BLKA/SN](#) [74441-0010/BKN](#) [MP1010RX-1000](#) [MP44RX-1000](#) [PHJ-4P4C-1-V-4](#) [PHP-6P6C-5](#) [GAX-3-66](#) [GAX-8-62](#) [GDCX-PA-66-50](#) [GDCX-PN-64](#) [GDCX-PN-66](#) [GDCX-PN-66-50](#) [GDLX-A-66](#) [GDLX-N-66](#) [GDLX-S-66](#) [GDLX-S-88K](#) [GDTX-S-88-50](#) [GDX-PA-1010](#) [GLX-N-1010M-BLK](#) [GLX-S-88M-BLK](#) [GMX-N-1010](#) [GMX-S-1010](#) [GMX-S-66](#) [GMX-SMT4-N-88](#) [GPX-2-64](#) [GSGX-N-2-88](#) [GSGX-N-4-88](#) [GSX-NS2-88-3.05-50](#) [PT-108A-8C-UL](#) [PT-J951-8C](#) [PTS-J531-8CS-50UL](#) [1-1775629-2](#) [A-2014-0-4](#) [GWLX-S-88-GR](#) [GWLX-S9-88-YG](#) [DC-1021-8-WH-6](#) [1300530003](#) [1324640-4](#) [RJ11FTVC2G](#) [RJ11FTVC2N](#) [RJFTVX2SA1G](#) [132764-001](#) [1413235](#) [MP88X-1000](#) [MPS88RX-5000](#) [MRJR-5481-0F2](#) [E5288-S000K3-L](#) [E5908-15A242-L](#) [155302-001](#) [AX100653](#)