

COUNT	DESCRIPTION OF REVISIONS	BY	CHKD	DATE	COUNT	DESCRIPTION OF REVISIONS	BY	CHKD	DATE
3	RE-E-09064	K.H	A.F	03.01.24					
3	RE-E-09430	K.H	S.M	07.07.15					

COUNT	DESCRIPTION OF REVISIONS	BY	CHKD	DATE	COUNT	DESCRIPTION OF REVISIONS	BY	CHKD	DATE

TO	Q		
----	---	--	--

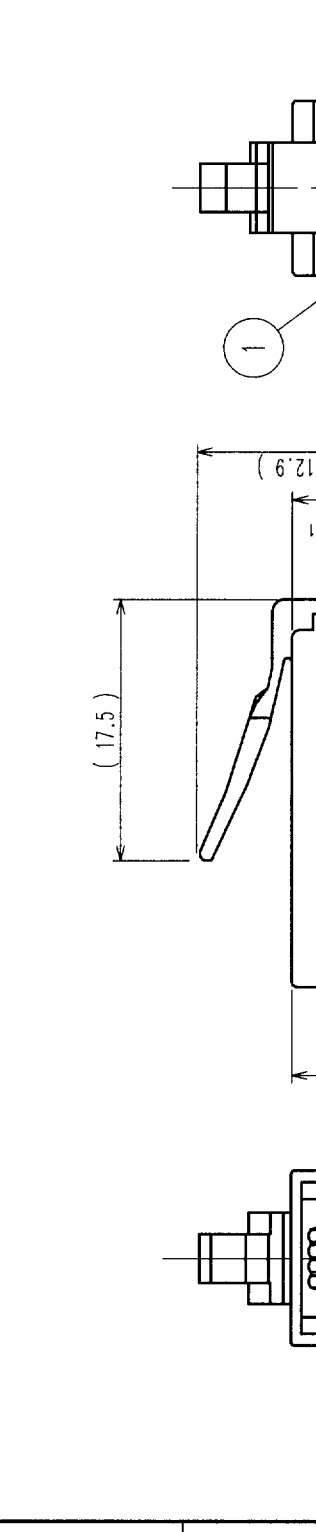
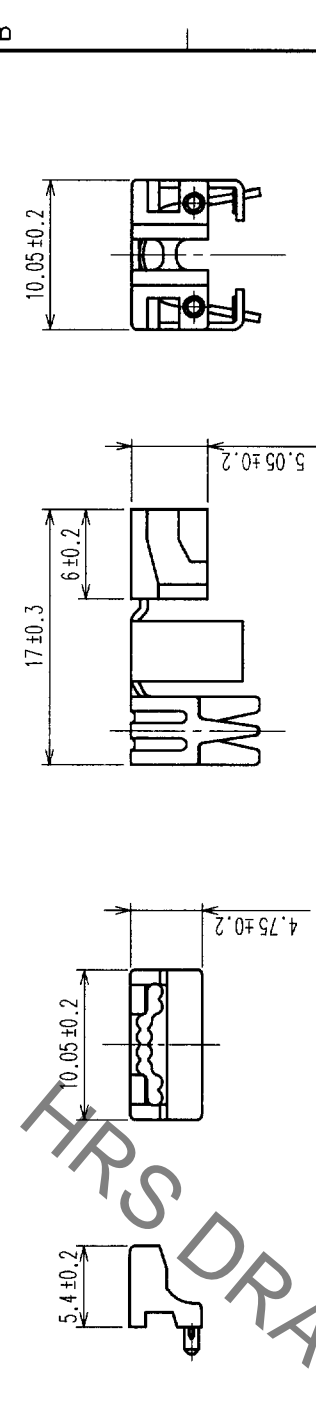
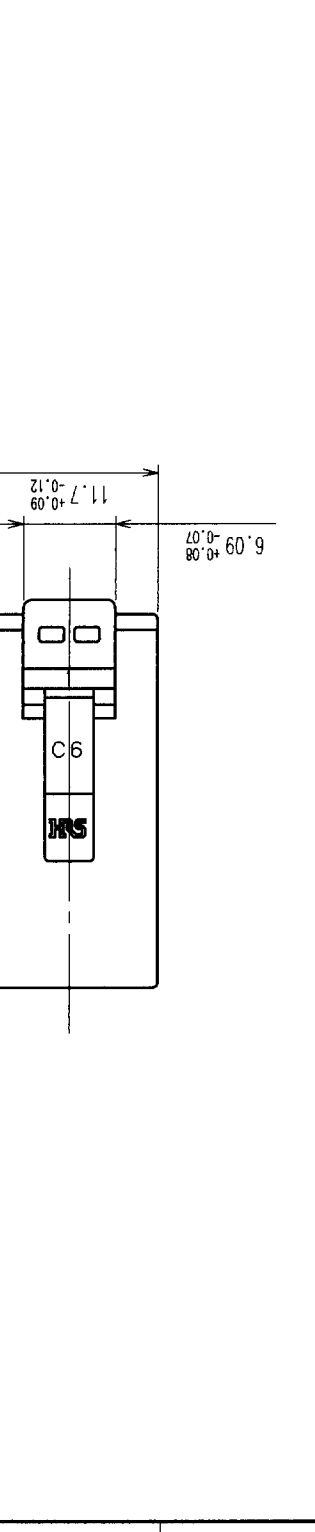
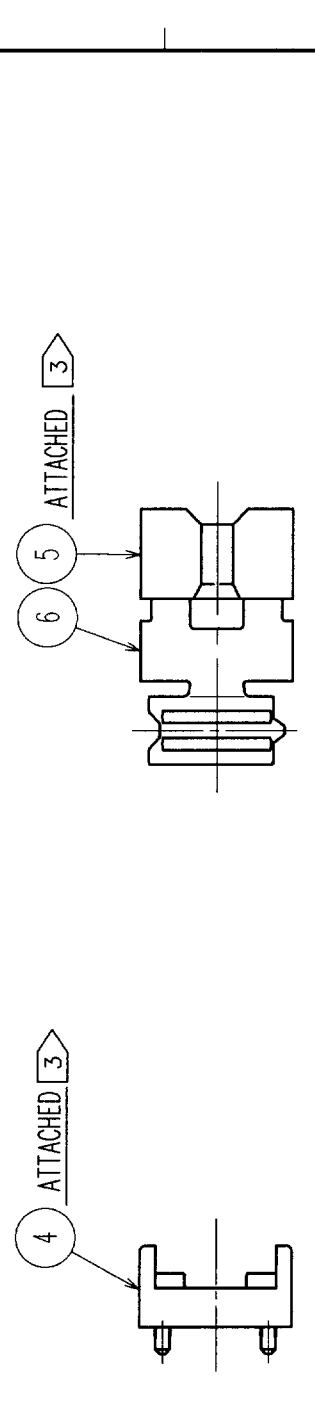
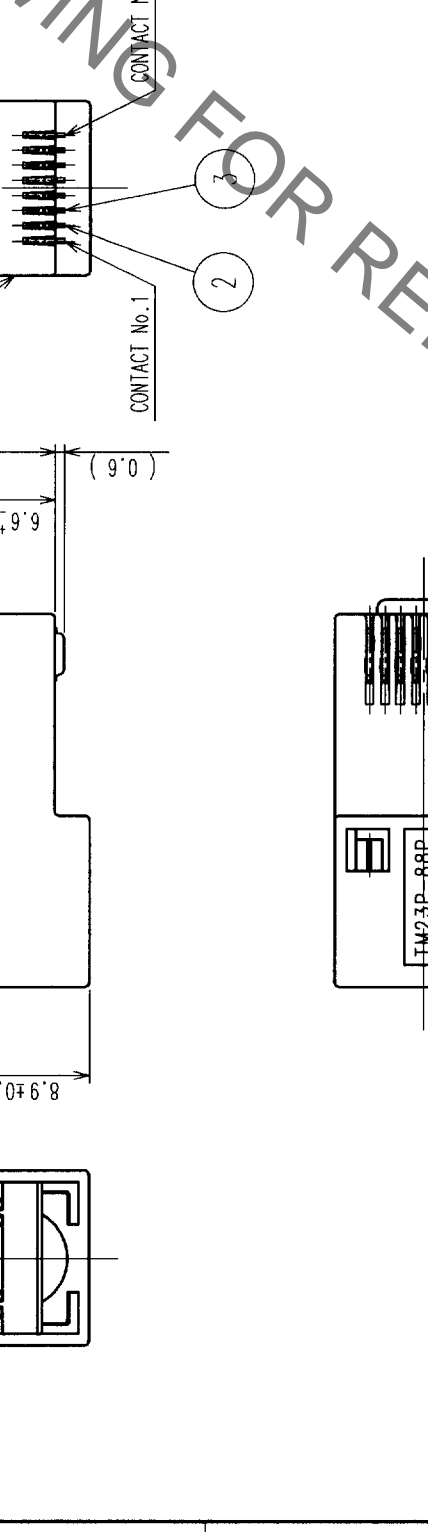


TABLE-1

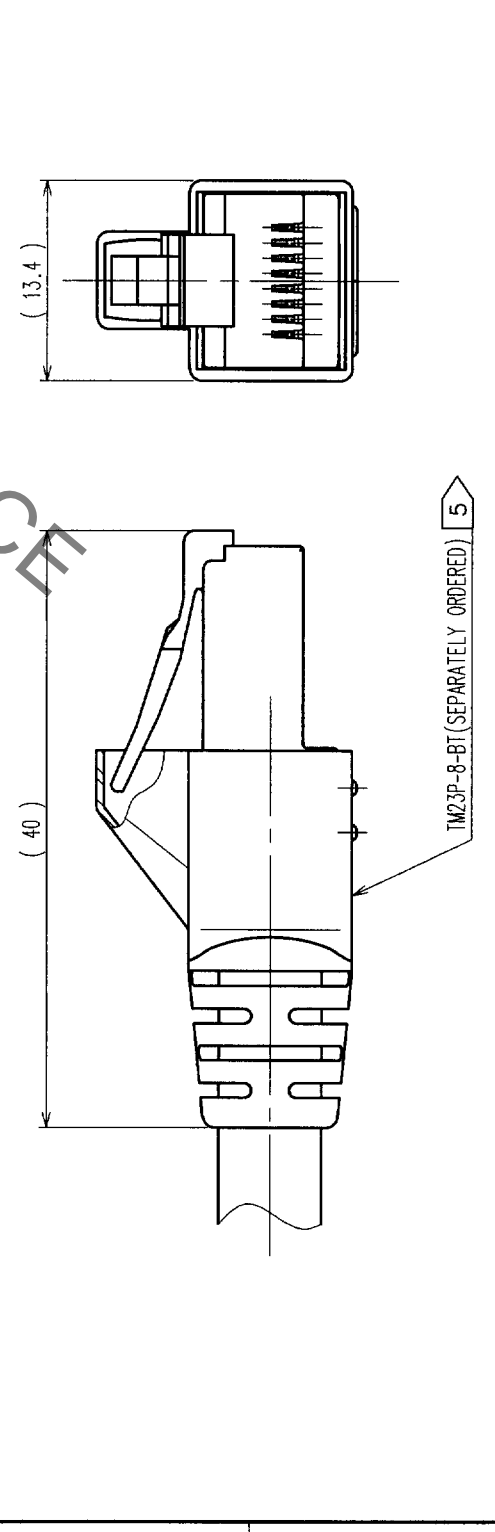
APPLICABLE CABLE SPECIFICATIONS			
JACKET	FILLER	CONDUCTOR	INSULATOR
		φ 0.5 SOLID WIRE	
		AWG#24 STRANDED WIRE	
		Δ (φ 0.95~φ 1.05)	
		Δ (φ 5.4~φ 6.8)	



NOTES 1 () INDICATES THE REFERENCE DIMENSIONS.
 2 APPLICABLE CABLE IS SHOWN IN TABLE-1.
 3 ATTACHED REF No. ⑤⑤⑤ ARE USED FOR ARRANGEMENT OF CORE WIRE.
 4 TO SATISFY CAT6 PERFORMANCE, PLEASE ASSEMBLE ACCORDING TO CABLE ASSEMBLY MANUAL:ETAD-E2415.
 5 APPLY SEPARATELY ORDERED SPECIAL BOOTS TM23P-8-BT (CL222-2917-9), WHEN REQUIRED.

WITH SPECIAL BOOTS ASSEMBLED

NO.	MATERIAL	FINISH, REMARKS	NO.	MATERIAL	FINISH, REMARKS
3	PHOSPHOR BRPNZE	GOLD PLATED 1.27μm (CONTACT)	6	BRASS	NICKEL PLATED
2	PHOSPHOR BRPNZE	GOLD PLATED 1.27μm (CONTACT)	5	POLYCARBONATE	UL94V-0 (CLEAR)
1	POLYCARBONATE	UL94V-0 (CLEAR)	4	POLYCARBONATE	UL94V-0 (CLEAR)



DRAWING NO.	EDC3-123982	PART NO.	TM23P-88P
SCALE	2 : 1	CODE NO.	CL222-2916-6
UNITS	mm		

X-ON Electronics

Largest Supplier of Electrical and Electronic Components

Click to view similar products for [Modular Connectors](#) / [Ethernet Connectors](#) category:

Click to view products by [Hirose](#) manufacturer:

Other Similar products are found below :

[8949-H88/06BLKA/SN](#) [74441-0010/BKN](#) [MP1010RX-1000](#) [MP44RX-1000](#) [PHJ-4P4C-1-V-4](#) [PHP-6P6C-5](#) [GAX-3-66](#) [GAX-8-62](#) [GDCX-PA-66-50](#) [GDCX-PN-64](#) [GDCX-PN-66](#) [GDCX-PN-66-50](#) [GDLX-A-66](#) [GDLX-N-66](#) [GDLX-S-66](#) [GDLX-S-88K](#) [GDTX-S-88-50](#) [GDX-PA-1010](#) [GLX-N-1010M-BLK](#) [GLX-S-88M-BLK](#) [GMX-N-1010](#) [GMX-S-1010](#) [GMX-S-66](#) [GMX-SMT4-N-88](#) [GPX-2-64](#) [GSGX-N-2-88](#) [GSGX-N-4-88](#) [GSX-NS2-88-3.05-50](#) [PT-108A-8C-UL](#) [PT-J951-8C](#) [PTS-J531-8CS-50UL](#) [1-1775629-2](#) [A-2014-0-4](#) [GWLX-S-88-GR](#) [GWLX-S9-88-YG](#) [DC-1021-8-WH-6](#) [1300530003](#) [1324640-4](#) [RJ11FTVC2G](#) [RJ11FTVC2N](#) [RJFTVX2SA1G](#) [132764-001](#) [1413235](#) [MP88X-1000](#) [MPS88RX-5000](#) [MRJR-5481-0F2](#) [E5288-S000K3-L](#) [E5908-15A242-L](#) [155302-001](#) [AX100653](#)