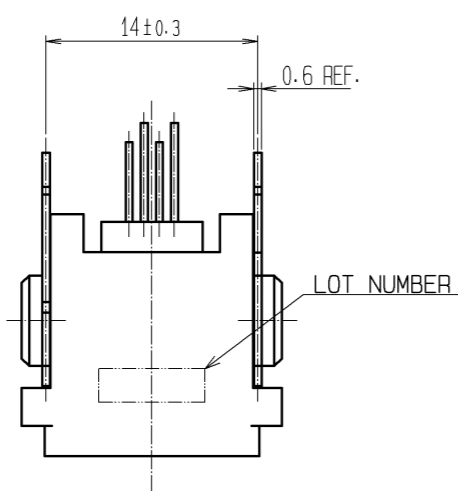
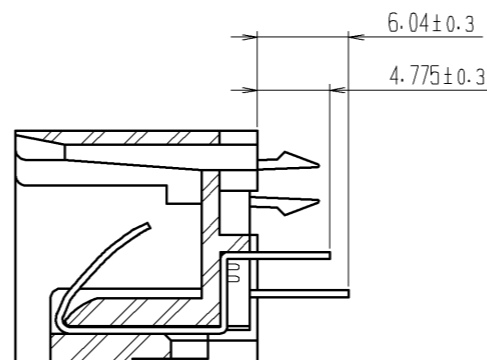


Sep.1.2021 Copyright 2021 HIROSE ELECTRIC CO., LTD. All Rights Reserved.
In case of consideration for using Automotive equipment / device which demand high reliability, kindly contact our sales window correspondents.



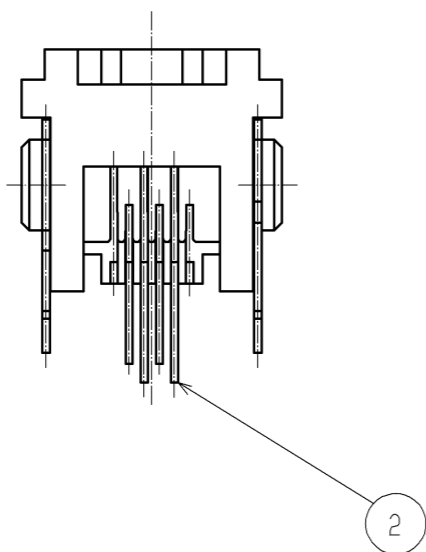
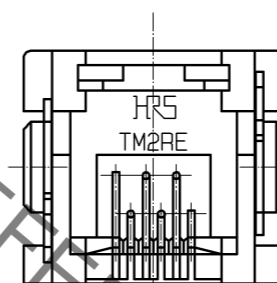
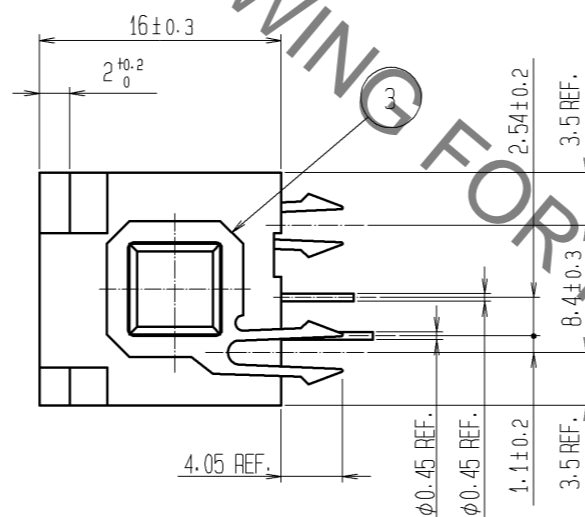
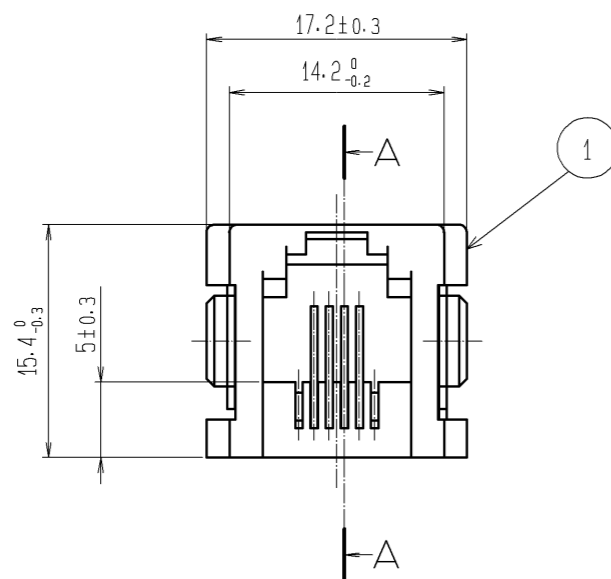
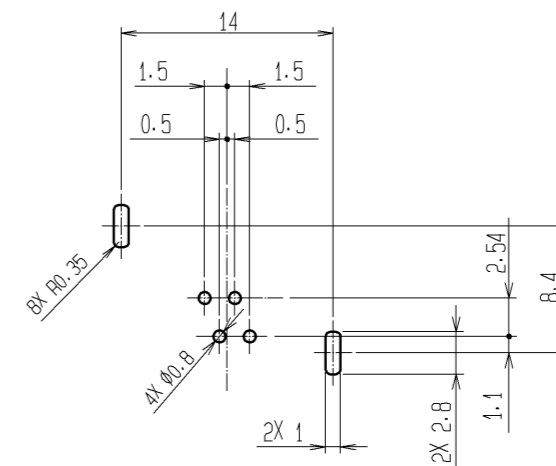
A-A



RECOMMENDED PC BOARD HOLE PATTERN

STRAIGHT TYPE, t1.6mm(MOUNTING SIDE)

TOLERANCE HAVE NOT BEEN DESCRIBED TO THE REFERENCE DIMENSION.



HRS DRAWING FOR REFERENCE

1	PBT	UL94V-0, (GRAY)	3	PHOSPHOR BRONZE	SURFACE PLATING : TIN PLATING 3µm MIN. UNDER PLATING : NICKEL PLATING 2µm MIN.
2	PHOSPHOR BRONZE		2	PHOSPHOR BRONZE	CONTACT AREA : GOLD PLATING 1.27µm MIN. LEAD AREA : GOLD PLATING 0.03µm MIN. UNDER PLATING : NICKEL PLATING 1.27µm MIN.
NO.	MATERIAL	FINISH, REMARKS	NO.	MATERIAL	FINISH, REMARKS
UNITS mm		SCALE 2:1	COUNT △	DESCRIPTION OF REVISIONS	
HRS HIROSE ELECTRIC CO., LTD.		APPROVED : YH. ENAMI	10.02.24	DRAWING NO.	EDC3-025979-01
		CHECKED : HO. MIWA	10.02.24	PART NO.	TM2RE-0604(50)
		DESIGNED : HN. ANDO	10.02.23	CODE NO.	CL222-1391-9-50
		DRAWN : HN. ANDO	10.02.23		△ 1/1

X-ON Electronics

Largest Supplier of Electrical and Electronic Components

Click to view similar products for [Modular Connectors](#) / [Ethernet Connectors](#) category:

Click to view products by [Hirose](#) manufacturer:

Other Similar products are found below :

[8949-H88/06BLKA/SN](#) [74441-0010/BKN](#) [MP1010RX-1000](#) [MP44RX-1000](#) [PHJ-4P4C-1-V-4](#) [PHP-6P6C-5](#) [GAX-3-66](#) [GAX-8-62](#) [GDCX-PA-66-50](#) [GDCX-PN-64](#) [GDCX-PN-66](#) [GDCX-PN-66-50](#) [GDLX-A-66](#) [GDLX-N-66](#) [GDLX-S-66](#) [GDLX-S-88K](#) [GDTX-S-88-50](#) [GDX-PA-1010](#) [GLX-N-1010M-BLK](#) [GLX-S-88M-BLK](#) [GMX-N-1010](#) [GMX-S-1010](#) [GMX-S-66](#) [GMX-SMT4-N-88](#) [GPX-2-64](#) [GSGX-N-2-88](#) [GSGX-N-4-88](#) [GSX-NS2-88-3.05-50](#) [PT-108A-8C-UL](#) [PT-J951-8C](#) [PTS-J531-8CS-50UL](#) [1-1775629-2](#) [A-2014-0-4](#) [GWLX-S-88-GR](#) [GWLX-S9-88-YG](#) [DC-1021-8-WH-6](#) [1300530003](#) [1324640-4](#) [RJ11FTVC2G](#) [RJ11FTVC2N](#) [RJFTVX2SA1G](#) [132764-001](#) [1413235](#) [MP88X-1000](#) [MPS88RX-5000](#) [MRJR-5481-0F2](#) [E5288-S000K3-L](#) [E5908-15A242-L](#) [155302-001](#) [AX100653](#)