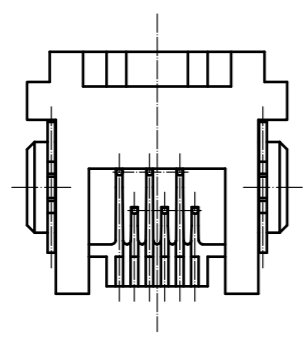
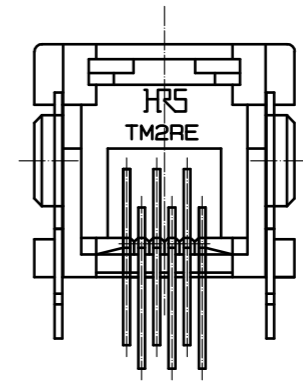
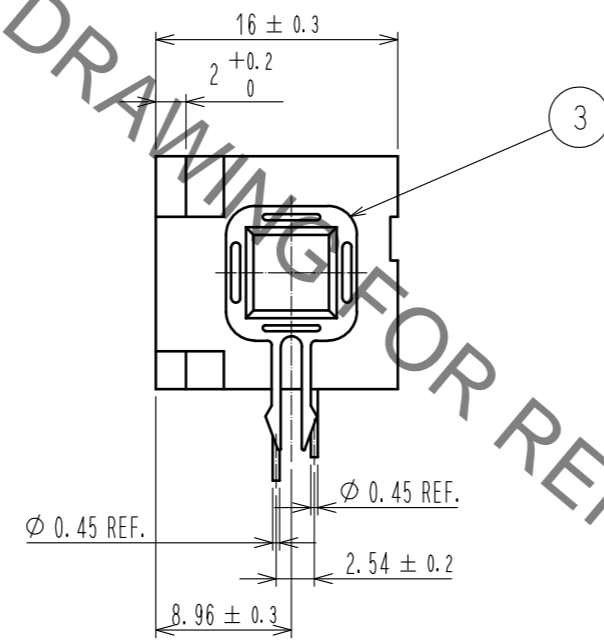
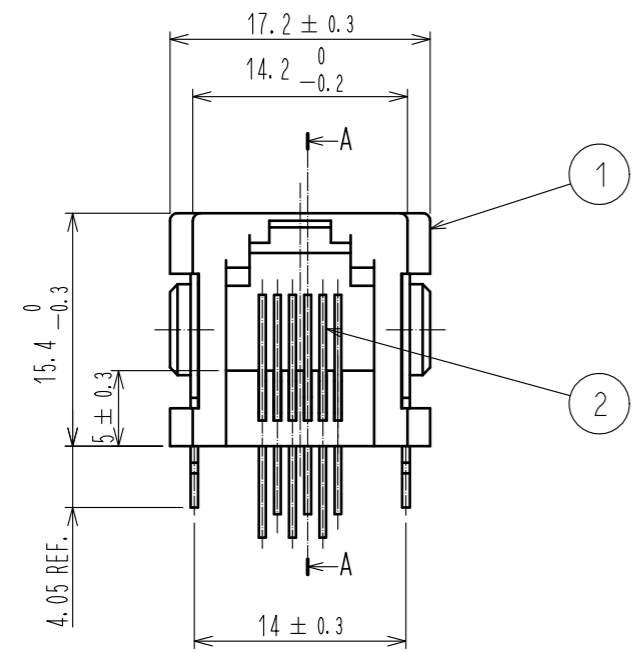
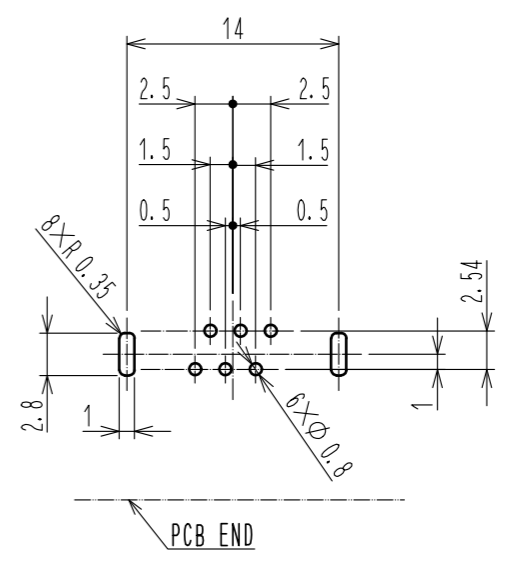
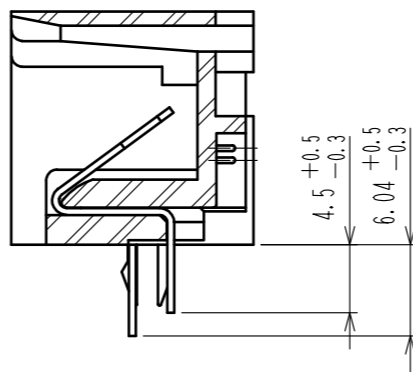
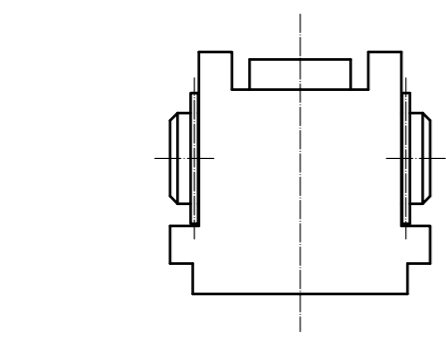


Sep.1.2022 Copyright 2022 HIROSE ELECTRIC CO., LTD. All Rights Reserved.
In case of consideration for using Automotive equipment / device which demand high reliability, kindly contact our sales window correspondents.

RECOMMENDED PC BOARD HOLE PATTERN
RIGHT ANGLE TYPE, t1.6mm(MOUNTING SIDE)
TOLERANCE HAVE NOT BEEN DESCRIBED TO THE REFERENCE DIMENSION.

A-A



HRS DRAWING FOR REFERENCE

1	PBT	UL94V-0 (GRAY)	3	PHOSPHOR BRONZE	SURFACE PLATING : TIN REFLOW PLATING 1μm MIN. UNDER PLATING : NICKEL PLATING 1μm MIN.			
NO.	MATERIAL	FINISH . REMARKS	NO.	MATERIAL	FINISH . REMARKS			
2	PHOSPHOR BRONZE	CONTACT AREA : GOLD PLATING 1.27μm MIN. LEAD AREA : GOLD PLATING 0.03μm MIN. UNDER PLATING : NICKEL PLATING 1.27μm MIN.						
UNITS	mm	SCALE	2 : 1	COUNT	DESCRIPTION OF REVISIONS	DESIGNED	CHECKED	DATE
HRS HIROSE ELECTRIC CO., LTD.		APPROVED : MN. KENJO	20211126	DRAWING NO.	EDC-026384-61-00			
		CHECKED : KG. OKITA	20211125	PART NO.	TM2REA-0606(61)			
		DESIGNED : MO. SHIMOYAMA	20211125	CODE NO.	CL0222-1467-9-61			
		DRAWN : NK. OOSHIMA	20211125					

X-ON Electronics

Largest Supplier of Electrical and Electronic Components

Click to view similar products for [Modular Connectors](#) / [Ethernet Connectors](#) category:

Click to view products by [Hirose](#) manufacturer:

Other Similar products are found below :

[8949-H88/06BLKA/SN](#) [74441-0010/BKN](#) [PHP-6P6C-5](#) [GAX-3-66](#) [GDCX-PN-66](#) [GLX-A-44](#) [GLX-N-1010M-BLK](#) [GLX-S-88M-BLK](#)
[GMX-SMT4-N-88](#) [GSGX-N-2-88](#) [GSGX-N-4-88](#) [GSX-NS2-88-3.05](#) [GSX-NS-88-3.68](#) [PT-108A-8C-UL](#) [PTS-J531-8CS-50UL](#) [A-2014-0-4](#)
[GWLX-S9-88-YG](#) [DC-1021-8-WH-6](#) [1300530003](#) [1324640-4](#) [132764-001](#) [1413235](#) [MPS88RX-5000](#) [E5288-S000K3-L](#) [155302-001](#)
[AX101050](#) [AX101063](#) [AX101065](#) [AX101072](#) [AX101307](#) [AX101315](#) [AX101318](#) [AX102271](#) [AX102651](#) [AX102660](#) [AX104024](#) [203475](#)
[J0026D01ENL](#) [PC4D0018P](#) [KIT38082NI](#) [8949-B88/6](#) [2-6609208-5](#) [30-8603](#) [30-8956](#) [30-8964-100](#) [SM85](#) [17-103540](#) [191587](#) [PDI-68-RV](#)
[PHP-8P8C-S-5](#)