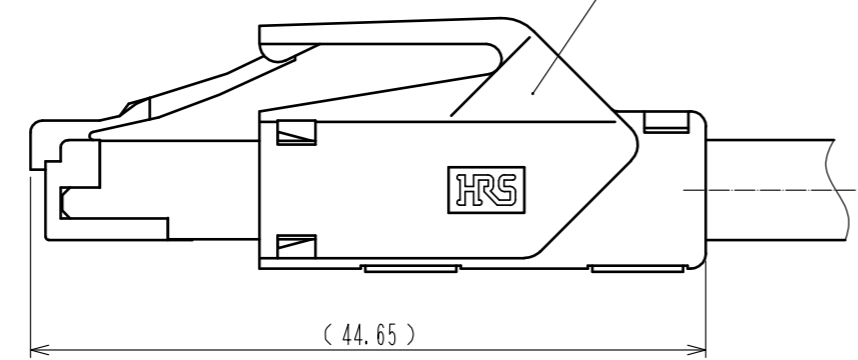
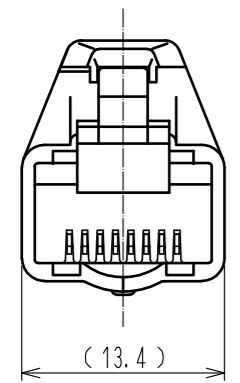
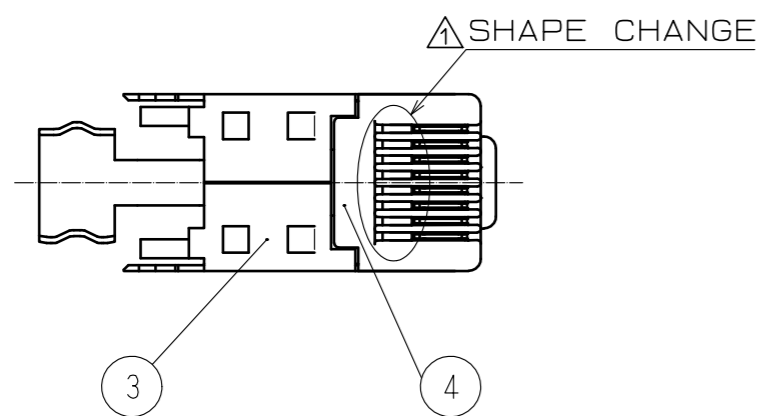
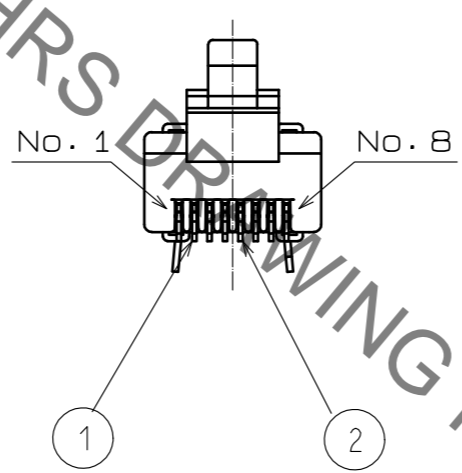
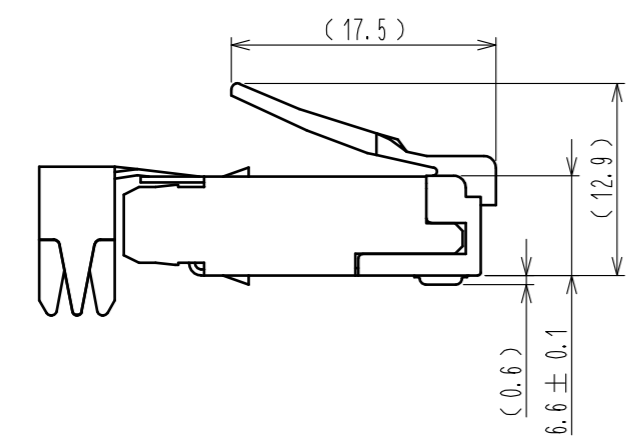
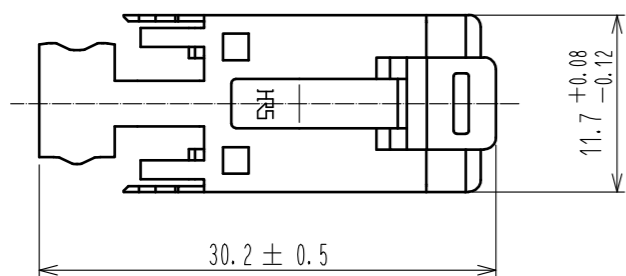


Sep.1.2021 Copyright 2021 HIROSE ELECTRIC CO., LTD. All Rights Reserved.  
In case of consideration for using Automotive equipment / device which demand high reliability, kindly contact our sales window correspondents.



4 CL222-2862-9-\*\*  
TM21P-88P(\*\*)

1 TABLE-1

APPLICABLE CABLE WIRE		
	CONDUCTOR	AWG#24 STRANDED WIRE ~ AWG#27 STRANDED WIRE
	INSULATOR DIAMETER	( $\phi 0.9 \sim \phi 1.0$ )
JACKET DIAMETER		( $\phi 5.8 \sim \phi 6.0$ )

NOTES 1 APPLICABLE CABLE IS SHOWN IN TABLE-1  
 2. ( ) INDICATES THE REFERENCE DIMENSIONS.  
 3. TO SATISFY CAT6a PERFORMANCE, PLEASE ASSEMBLE ACCORDING TO HRS INSTRUCTION. (ETAD-E2847)  
 4. COLORS ARE DIFFERENT DEPENDING ON THE SPECIFICATION NUMBER.

2	PHOSPHOR BRONZE	CONTACT: GOLD PLATING 1.27 $\mu$ m MIN LEAD: GOLD PLATING 0.03 $\mu$ m MIN UNDER: NICKEL PLATING 2 $\mu$ m MIN						
1	PHOSPHOR BRONZE	CONTACT: GOLD PLATING 1.27 $\mu$ m MIN LEAD: GOLD PLATING 0.03 $\mu$ m MIN UNDER: NICKEL PLATING 2 $\mu$ m MIN	4	POLYCARBONATE	(YELLOW)UL94V-2			
			3	STAINLESS STEEL	OVER:NICKEL PLATING 0.5 $\mu$ m MIN			
NO.	MATERIAL	FINISH . REMARKS	NO.	MATERIAL	FINISH . REMARKS			
UNITS mm		SCALE 2 : 1	COUNT 1	DESCRIPTION OF REVISIONS DIS-E-00003330		DESIGNED KIM JAEHYEON	CHECKED TU. TANIGUCHI	DATE 20210309
<b>HRS</b> HIROSE ELECTRIC CO., LTD.		APPROVED : YH. ENAMI 20090602	DRAWING NO. EDC-126868-01-01					
		CHECKED : YH. ENAMI 20090602	PART NO. TM31P-TM-88P(01)					
		DESIGNED : MT. ITANO 20090602	CODE NO. CL0222-4626-7-01					
		DRAWN : MT. ITANO 20090602						

## X-ON Electronics

Largest Supplier of Electrical and Electronic Components

*Click to view similar products for [Modular Connectors / Ethernet Connectors](#) category:*

*Click to view products by [Hirose](#) manufacturer:*

Other Similar products are found below :

[8949-H88/06BLKA/SN](#) [74441-0010/BKN](#) [MP1010RX-1000](#) [MP44RX-1000](#) [PHP-6P6C-5](#) [GAX-3-66](#) [GAX-8-62](#) [GDCX-PA-66-50](#) [GDCX-PN-64](#) [GDCX-PN-66](#) [GDCX-PN-66-50](#) [GDLX-A-66](#) [GDLX-N-66](#) [GDLX-S-66](#) [GDLX-S-88K](#) [GDTX-S-88-50](#) [GDX-PA-1010](#) [GLX-N-1010M-BLK](#) [GLX-S-88M-BLK](#) [GMX-N-1010](#) [GMX-S-1010](#) [GMX-S-66](#) [GMX-SMT4-N-88](#) [GPX-2-64](#) [GSGX-N-2-88](#) [GSGX-N-4-88](#) [GSX-NS2-88-3.05](#) [GSX-NS2-88-3.05-50](#) [GSX-NS-88-3.05-50](#) [PT-108A-8C-UL](#) [PT-J951-8C](#) [PTS-J531-8CS-50UL](#) [1-1775629-2](#) [A-2014-0-4](#) [GWLX-S-88-GR](#) [GWLX-S9-88-YG](#) [DC-1021-8-WH-6](#) [1300530003](#) [1324640-4](#) [RJ11FTVC2G](#) [RJ11FTVC2N](#) [RJFTVX2SA1G](#) [132764-001](#) [1413235](#) [MP88X-1000](#) [MPS88RX-5000](#) [MRJR-5481-0F2](#) [E5288-S000K3-L](#) [E5908-15A242-L](#) [155302-001](#)