

Sep.1.2021 Copyright 2021 HIROSE ELECTRIC CO., LTD. All Rights Reserved.
In case of consideration for using Automotive equipment / device which demand high reliability, kindly contact our sales window correspondents.

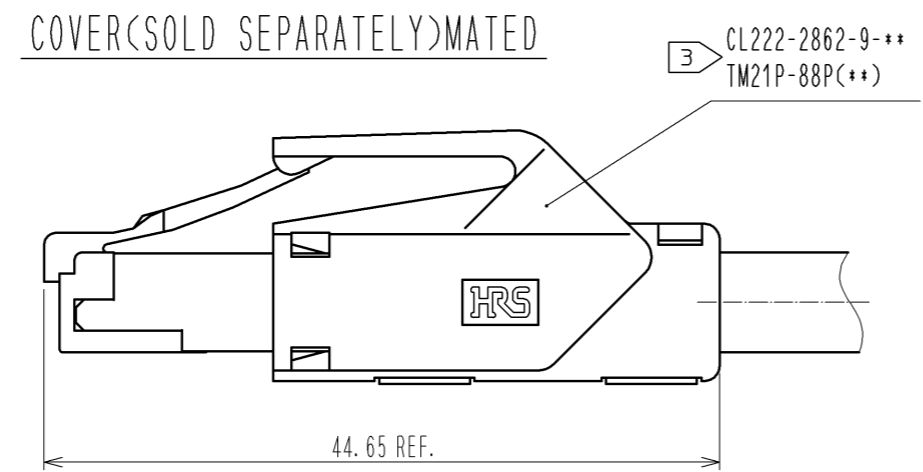
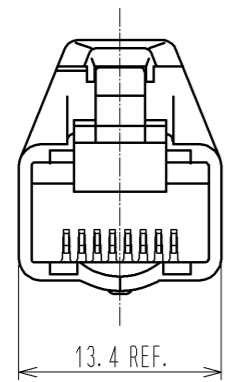
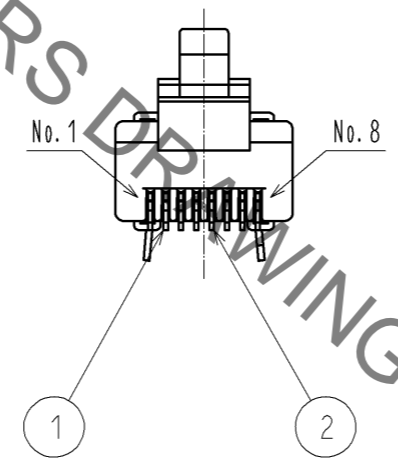
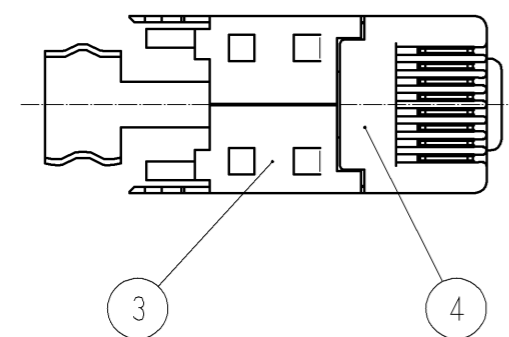
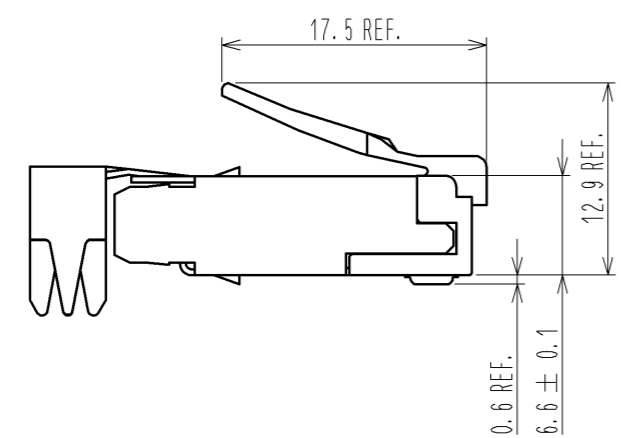
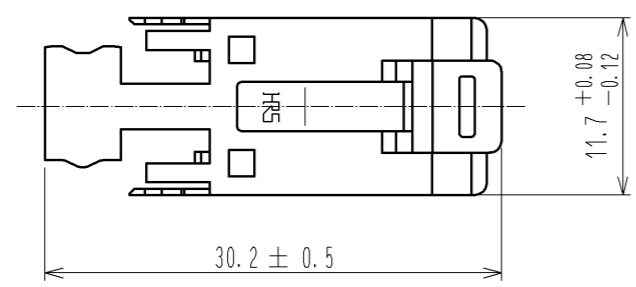


TABLE-1

APPLICABLE CABLE WIRE			
	CONDUCTOR	AWG#24 STRANDED WIRE TO AWG#27 STRANDED WIRE	
	INSULATOR DIAMETER	φ0.9 TO φ1.0	
	JACKET DIAMETER	φ5.8 TO φ6.0	

- NOTES
- 1 APPLICABLE CABLE IS SHOWN IN TABLE-1.
 - 2. REFER TO HRS INSTRUCTION MANUAL(ETAD-E2847) FOR CABLE ASSEMBLING THAT MEETS CAT6a PERFORMANCE.
 - 3 COLORS ARE DIFFERENT DEPENDING ON THE SPECIFICATION NUMBER.

2	PHOSPHOR BRONZE	CONTACT:GOLD PLATING 1.27μm MIN LEAD :GOLD PLATING 0.03μm MIN UNDER :NICKEL PLATING 2μm MIN			
1	PHOSPHOR BRONZE	CONTACT:GOLD PLATING 1.27μm MIN LEAD :GOLD PLATING 0.03μm MIN UNDER :NICKEL PLATING 2μm MIN	4	POLYCARBONATE	YELLOW
			3	STAINLESS STEEL	OVER:NICKEL PLATING 0.5μm MIN
NO.	MATERIAL	FINISH . REMARKS	NO.	MATERIAL	FINISH . REMARKS
UNITS mm		SCALE 2 : 1	COUNT 	DESCRIPTION OF REVISIONS	
HRS HIROSE ELECTRIC CO., LTD.		APPROVED : NM. NISHIMATSU 14.06.26	DRAWING NO. EDC3-126868-05		DESIGNED
		CHECKED : NM. NISHIMATSU 14.06.26	PART NO. TM31P-TM-88P(61)		CHECKED
		DESIGNED : MT. ITANO 14.06.26	CODE NO. CL222-4626-7-61		DATE
		DRAWN : MT. ITANO 14.06.26			

X-ON Electronics

Largest Supplier of Electrical and Electronic Components

Click to view similar products for [Modular Connectors](#) / [Ethernet Connectors](#) category:

Click to view products by [Hirose](#) manufacturer:

Other Similar products are found below :

[8949-H88/06BLKA/SN](#) [74441-0010/BKN](#) [MP1010RX-1000](#) [MP44RX-1000](#) [PHJ-4P4C-1-V-4](#) [PHP-6P6C-5](#) [GAX-3-66](#) [GAX-8-62](#) [GDCX-PA-66-50](#) [GDCX-PN-64](#) [GDCX-PN-66](#) [GDCX-PN-66-50](#) [GDLX-A-66](#) [GDLX-N-66](#) [GDLX-S-66](#) [GDLX-S-88K](#) [GDTX-S-88-50](#) [GDX-PA-1010](#) [GLX-N-1010M-BLK](#) [GLX-S-88M-BLK](#) [GMX-N-1010](#) [GMX-S-1010](#) [GMX-S-66](#) [GMX-SMT4-N-88](#) [GPX-2-64](#) [GSGX-N-2-88](#) [GSGX-N-4-88](#) [GSX-NS2-88-3.05](#) [GSX-NS2-88-3.05-50](#) [GSX-NS-88-3.68](#) [PT-108A-8C-UL](#) [PT-J951-8C](#) [PTS-J531-8CS-50UL](#) [1-1775629-2](#) [A-2014-0-4](#) [GWLX-S-88-GR](#) [GWLX-S9-88-YG](#) [DC-1021-8-WH-6](#) [1300530003](#) [1324640-4](#) [RJ11FTVC2G](#) [RJ11FTVC2N](#) [RJFTVX2SA1G](#) [132764-001](#) [1413235](#) [MP88X-1000](#) [MPS88RX-5000](#) [MRJR-5481-0F2](#) [E5288-S000K3-L](#) [E5908-15A242-L](#)