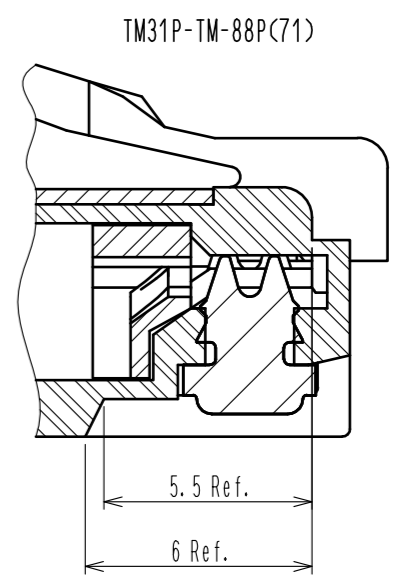
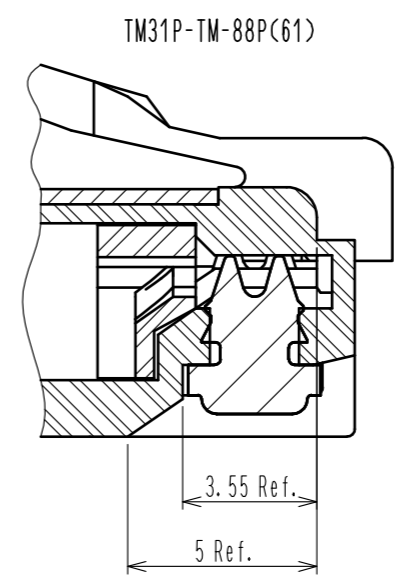


A-A(5:1) (After insulation displacement)



1 Table-1

Applicable cable wire		
	Conductor	AWG#24 Stranded wire to Awg#27 Stranded wire
	Insulator diameter	φ0.9 to φ1.0
	Jacket diameter	φ5.8 to φ6.0

- Notes
- 1 Applicable cable is shown in Table-1.
 - 2. Refer to HRS instruction manual(ETAD-E2847) for cable assembling that meets CAT6a performance.
 - 3 Colors are different depending on the specification number.

2	Phosphor bronze	Contact : Gold plating 1.27 μm min Lead : Gold plating 0.03 μm min Under : Nickel plating 2 μm min	4	Polycarbonate	Yellow
1	Phosphor bronze	Contact : Gold plating 1.27 μm min Lead : Gold plating 0.03 μm min Under : Nickel plating 2 μm min	3	Stainless steel	Over : Nickel plating 0.5 μm min
NO.	MATERIAL	FINISH . REMARKS	NO.	MATERIAL	FINISH . REMARKS
UNITS mm		SCALE 2 : 1	COUNT	DESCRIPTION OF REVISIONS	
HIROSE ELECTRIC CO., LTD.		APPROVED : MN. KENJO 20190329	DRAWING NO. EDC-126868-71-00		
		CHECKED : TU. TANIGUCHI 20190327	PART NO. TM31P-TM-88P(71)		
		DESIGNED : SH. KOYAMA 20190327	CODE NO. CL222-4626-7-71		
		DRAWN : SH. KOYAMA 20190327	1/1		

X-ON Electronics

Largest Supplier of Electrical and Electronic Components

Click to view similar products for [Modular Connectors](#) / [Ethernet Connectors](#) category:

Click to view products by [Hirose](#) manufacturer:

Other Similar products are found below :

[8949-H88/06BLKA/SN](#) [74441-0010/BKN](#) [MP1010RX-1000](#) [MP44RX-1000](#) [PHJ-4P4C-1-V-4](#) [PHP-6P6C-5](#) [GAX-3-66](#) [GAX-8-62](#) [GDCX-PA-66-50](#) [GDCX-PN-64](#) [GDCX-PN-66](#) [GDCX-PN-66-50](#) [GDLX-A-66](#) [GDLX-N-66](#) [GDLX-S-66](#) [GDLX-S-88K](#) [GDLX-SMT-S-88](#) [GDTX-S-88-50](#) [GDX-PA-1010](#) [GLX-A-44](#) [GLX-N-1010M-BLK](#) [GLX-S-88M-BLK](#) [GMX-N-1010](#) [GMX-S-1010](#) [GMX-S-66](#) [GMX-SMT4-N-88](#) [GPX-2-64](#) [GSGX-N-2-88](#) [GSGX-N-4-88](#) [GSX-NS2-88-3.05](#) [GSX-NS2-88-3.05-50](#) [GSX-NS-88-3.05-50](#) [PT-108A-8C-UL](#) [PT-J951-8C](#) [PTS-J531-8CS-50UL](#) [1-1775629-2](#) [A-2014-0-4](#) [GWLX-S-88-GR](#) [GWLX-S9-88-YG](#) [DC-1021-8-WH-6](#) [1300530003](#) [1324640-4](#) [RJ11FTVC2G](#) [RJ11FTVC2N](#) [RJFTVX2SA1G](#) [132764-001](#) [1413235](#) [MP88X-1000](#) [MPS88RX-5000](#) [E5288-S000K3-L](#)