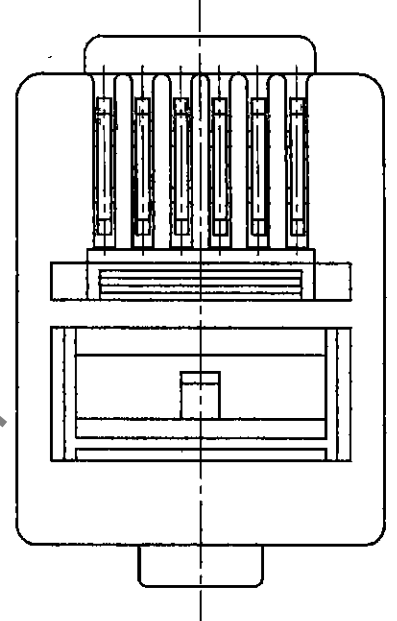
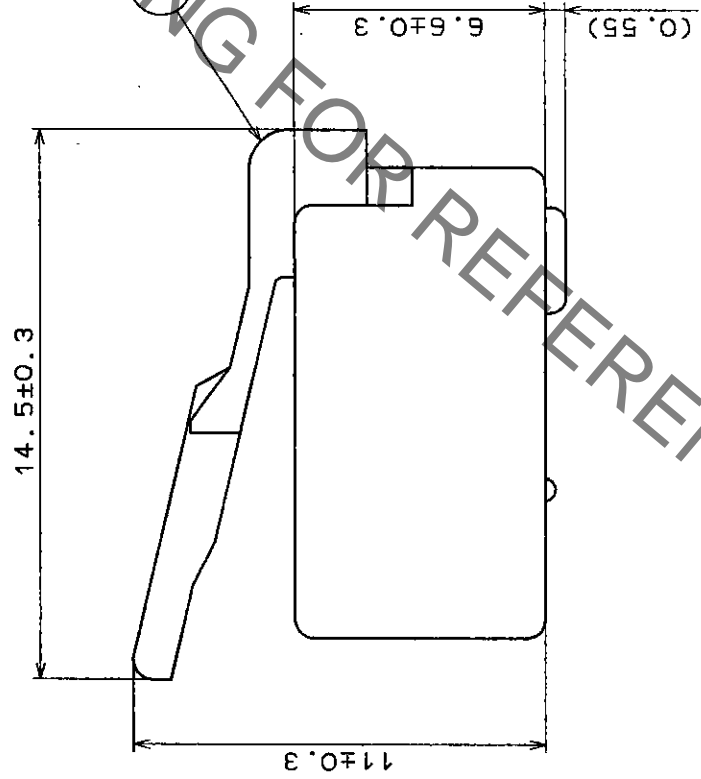
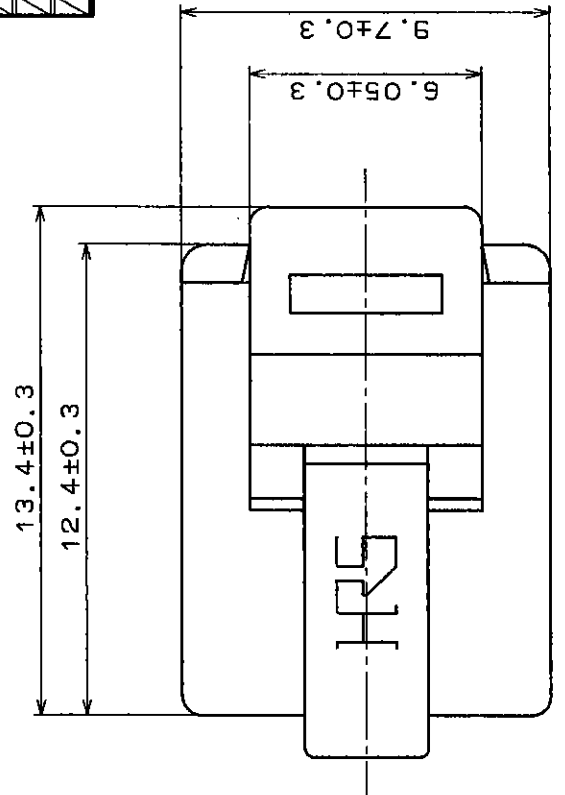
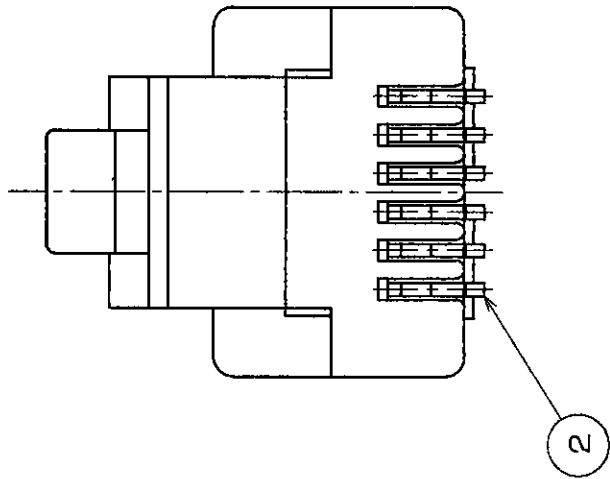


COUNT DESCRIPTION OF REVISIONS	BY (CHKD)	DATE	COUNT DESCRIPTION OF REVISIONS	BY (CHKD)	DATE



NOTES 1. THE DIMENSION IN PARENTHESIS IS FOR REFERENCE.
 2. APPLICABLE CABLE TO THIS CONNECTOR IS AS PER FOLLOWING.

APPLICABLE CABLE CONSTRUCTION	
	INSULATOR OUTER DIMENSION(φ) 0.90~1.00
VINYL SEATH OUTER DIMENSION (A)X(B)	6.8X2.6



HRS DRAWING FOR REFERENCE

1	POLYCARBONATE	COLOR: CLEAR	2	PHOSPHOR BRONZE	GOLD PLATING
NO.	MATERIAL	FINISH, REMARKS	NO.	MATERIAL	FINISH, REMARKS
CODE NO. (OLD)			DESIGNED	CHECKED	APPROVED
			DRAWN <i>T. Watanabe</i>	DESIGNED <i>T. Watanabe</i>	APPROVED <i>S. Watanabe</i>
			'95.9.5	'95.9.5	'95.9.5
DRAWING NO.		PART NO.		RELEASED	
EDC3-009973		TM3P-66P			
SCALE 5:1		CODE NO.		1/1	
UNITS mm		CL222-0209-8			

X-ON Electronics

Largest Supplier of Electrical and Electronic Components

Click to view similar products for [Modular Connectors / Ethernet Connectors](#) category:

Click to view products by [Hirose](#) manufacturer:

Other Similar products are found below :

[8949-H88/06BLKA/SN](#) [74441-0010/BKN](#) [MP1010RX-1000](#) [MP44RX-1000](#) [PHJ-4P4C-1-V-4](#) [PHP-6P6C-5](#) [GAX-3-66](#) [GAX-8-62](#) [GDCX-PA-66-50](#) [GDCX-PN-64](#) [GDCX-PN-66](#) [GDCX-PN-66-50](#) [GDLX-A-66](#) [GDLX-N-66](#) [GDLX-S-66](#) [GDLX-S-88K](#) [GDTX-S-88-50](#) [GDX-PA-1010](#) [GLX-N-1010M-BLK](#) [GLX-S-88M-BLK](#) [GMX-N-1010](#) [GMX-S-1010](#) [GMX-S-66](#) [GMX-SMT4-N-88](#) [GPX-2-64](#) [GSGX-N-2-88](#) [GSGX-N-4-88](#) [GSX-NS2-88-3.05](#) [GSX-NS2-88-3.05-50](#) [GSX-NS-88-3.68](#) [PT-108A-8C-UL](#) [PT-J951-8C](#) [PTS-J531-8CS-50UL](#) [1-1775629-2](#) [A-2014-0-4](#) [GWLX-S-88-GR](#) [GWLX-S9-88-YG](#) [DC-1021-8-WH-6](#) [1300530003](#) [1324640-4](#) [RJ11FTVC2G](#) [RJ11FTVC2N](#) [RJFTVX2SA1G](#) [132764-001](#) [1413235](#) [MP88X-1000](#) [MPS88RX-5000](#) [MRJR-5481-0F2](#) [E5288-S000K3-L](#) [E5908-15A242-L](#)