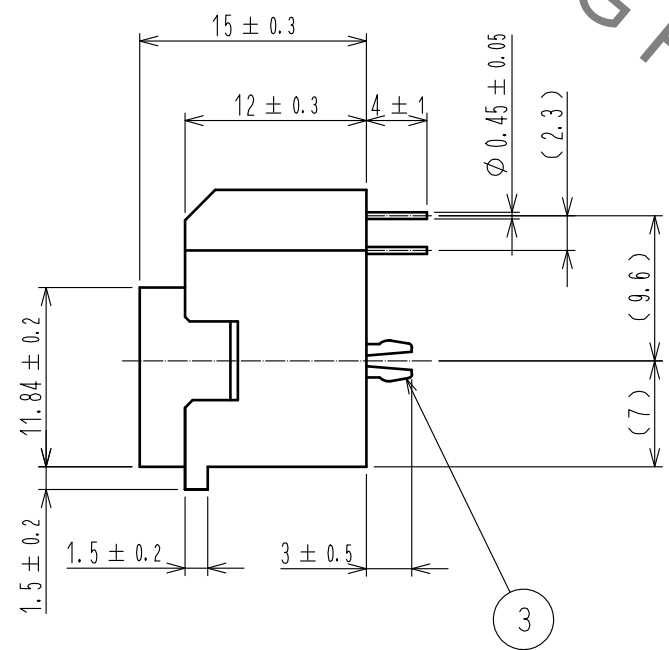
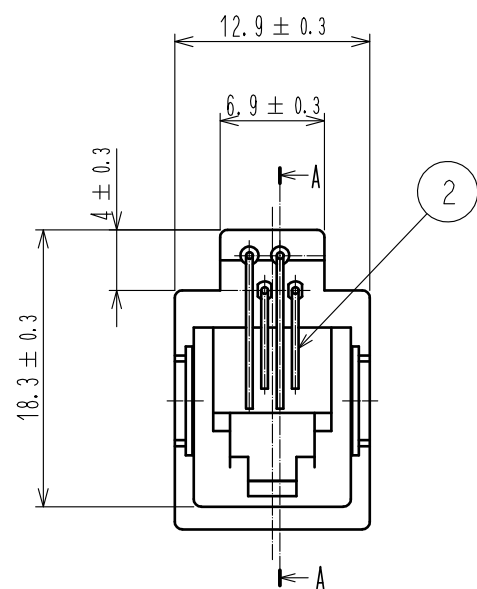
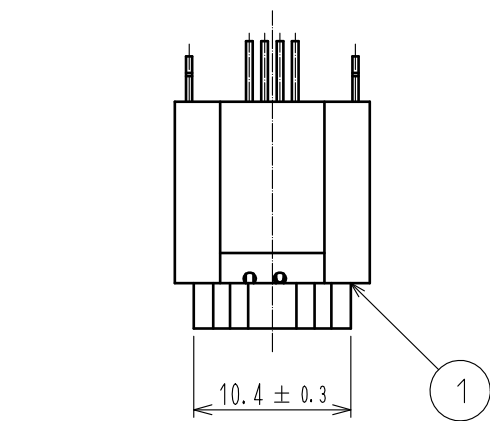
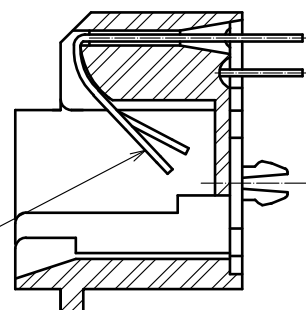


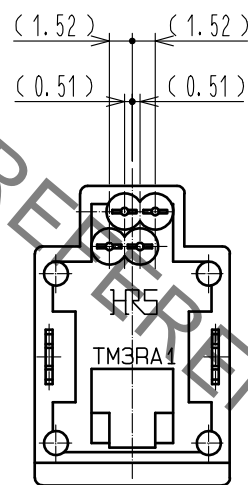
Sep.1.2021 Copyright 2021 HIROSE ELECTRIC CO., LTD. All Rights Reserved.
In case of consideration for using Automotive equipment / device which demand high reliability, kindly contact our sales window correspondents.



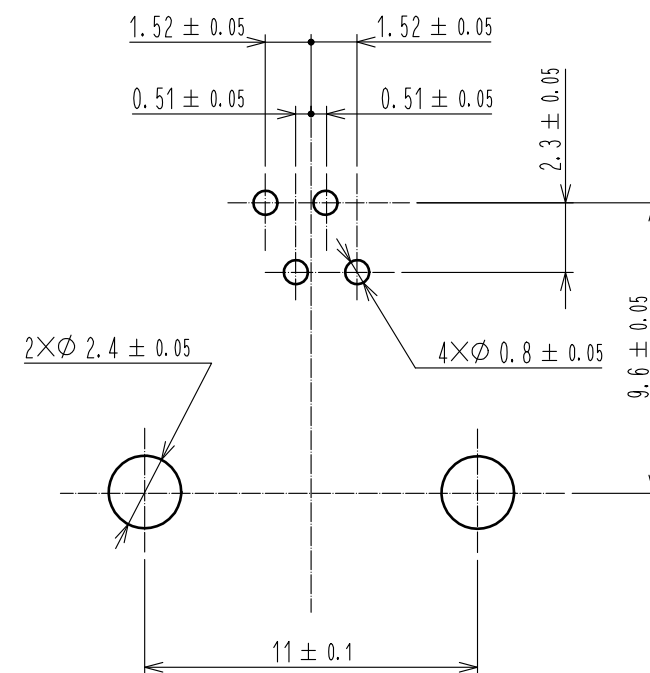
A-A



2 Gold plating area



1 PC board pattern(4:1)
t=1.6

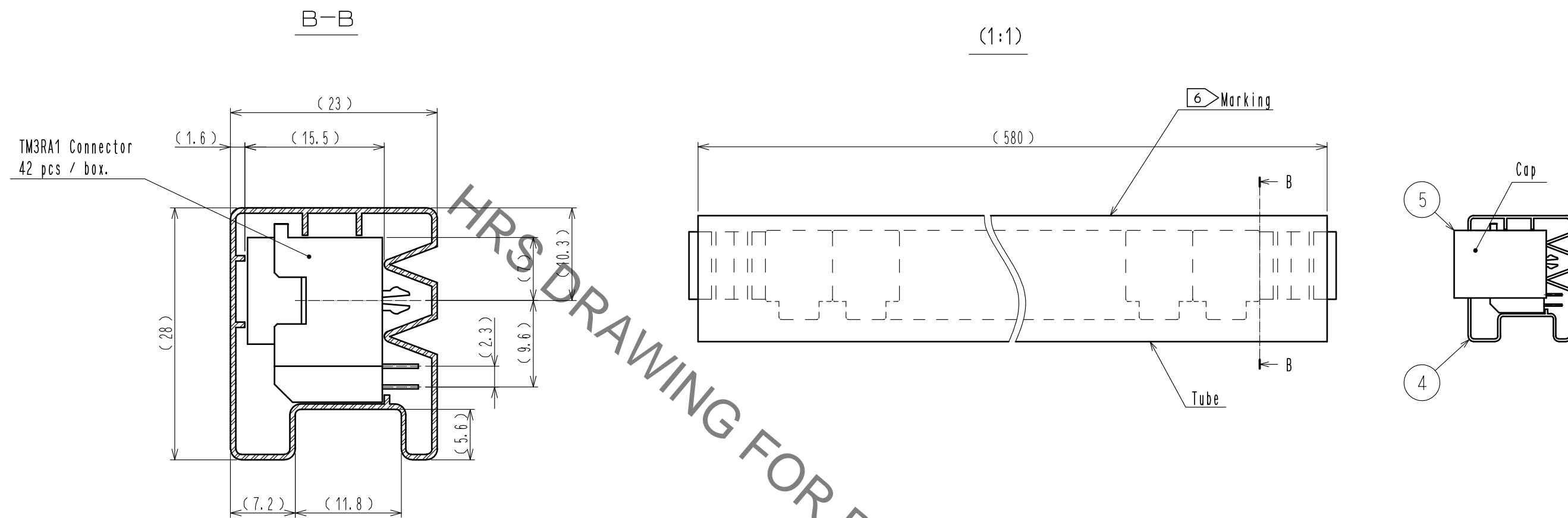


Notes 1 Dimensions are viewed from the connector mounting side on PCB.

2 It shall be plated with Nickel except for the gold plating area.
3. The dimensions in parentheses are for reference.

2	Phosphor bronze	Contact area : Gold plating 1.27µm min. Lead : Gold plating 0.03µm min. Under : Nickel plating 1.27µm min.	5	Styrene elastomer	blue		
1	PBT	Black , UL94V-0	4	Rigid polyvinylchloride	Transparency		
NO.	MATERIAL	FINISH , REMARKS	NO.	MATERIAL	FINISH , REMARKS		
UNITS mm		SCALE 2 : 1	COUNT 	DESCRIPTION OF REVISIONS	DESIGNED	CHECKED	DATE
HRS HIROSE ELECTRIC CO., LTD.		APPROVED : RI. TAKAYASU 18.06.12	DRAWING NO. EDC-025815-67-12				
		CHECKED : RI. TAKAYASU 18.06.12	PART NO. TM3RA1-44(67)				
		DESIGNED : MO. SHIMOYAMA 18.06.12	CODE NO. CL222-1374-0-67				
		DRAWN : SJ. SATO 18.06.12					

Sep.1.2021 Copyright 2021 HIROSE ELECTRIC CO., LTD. All Rights Reserved.
In case of consideration for using Automotive equipment / device which demand high reliability, kindly contact our sales window correspondents.

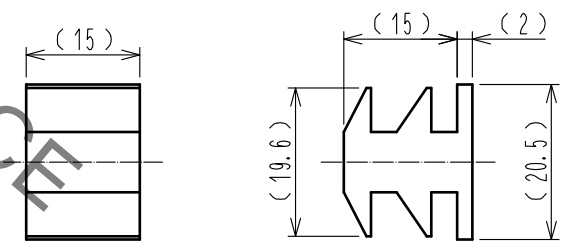


- Notes
- 4. Tube thickness = 0.6mm
 - 5. The dimensions in parentheses are for reference.
 - 6 The following marking are printed on the top of the tube.

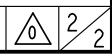
TM3RA1シリーズ ヒロセ電機株式会社 空チューブの回収に御協力下さい。
TM3RA1 Series HIROSE ELECTRIC CO.,LTD. Please cooperate with us collect empty the tubes.

- 7 After packing connectors, fix both ends of the tube using the cap.

7 Dimensions of cap (1:1)



DRAWING NO.	EDC-025815-67-12
PART NO.	TM3RA1-44(67)
CODE NO.	CL222-1374-0-67



X-ON Electronics

Largest Supplier of Electrical and Electronic Components

Click to view similar products for [Modular Connectors / Ethernet Connectors](#) category:

Click to view products by [Hirose](#) manufacturer:

Other Similar products are found below :

[8949-H88/06BLKA/SN](#) [74441-0010/BKN](#) [MP1010RX-1000](#) [MP44RX-1000](#) [PHJ-4P4C-1-V-4](#) [PHP-6P6C-5](#) [GAX-3-66](#) [GAX-8-62](#) [GDCX-PA-66-50](#) [GDCX-PN-64](#) [GDCX-PN-66](#) [GDCX-PN-66-50](#) [GDLX-A-66](#) [GDLX-N-66](#) [GDLX-S-66](#) [GDLX-S-88K](#) [GDTX-S-88-50](#) [GDX-PA-1010](#) [GLX-N-1010M-BLK](#) [GLX-S-88M-BLK](#) [GMX-N-1010](#) [GMX-S-1010](#) [GMX-S-66](#) [GMX-SMT4-N-88](#) [GPX-2-64](#) [GSGX-N-2-88](#) [GSGX-N-4-88](#) [GSX-NS2-88-3.05](#) [GSX-NS2-88-3.05-50](#) [GSX-NS-88-3.68](#) [PT-108A-8C-UL](#) [PT-J951-8C](#) [PTS-J531-8CS-50UL](#) [1-1775629-2](#) [A-2014-0-4](#) [GWLX-S-88-GR](#) [GWLX-S9-88-YG](#) [DC-1021-8-WH-6](#) [1300530003](#) [1324640-4](#) [RJ11FTVC2G](#) [RJ11FTVC2N](#) [RJFTVX2SA1G](#) [132764-001](#) [1413235](#) [MP88X-1000](#) [MPS88RX-5000](#) [MRJR-5481-0F2](#) [E5288-S000K3-L](#) [E5908-15A242-L](#)