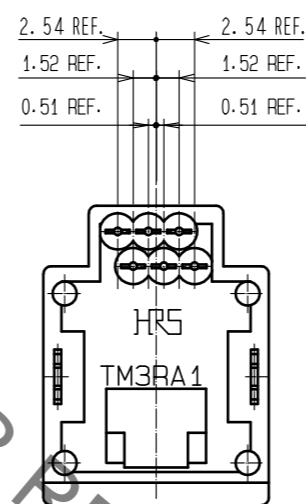
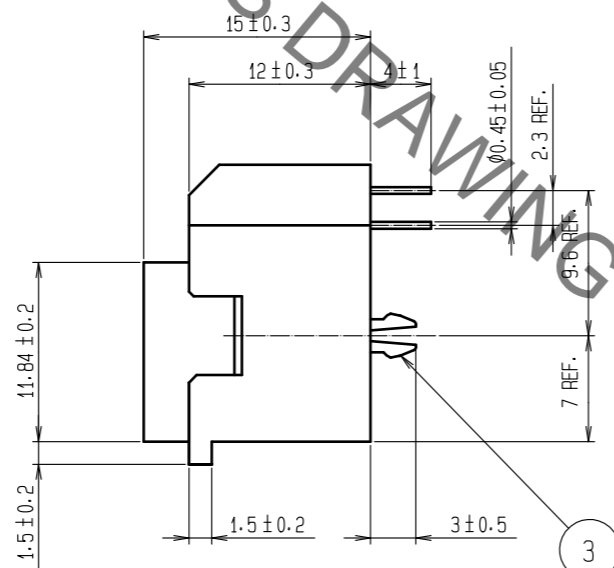
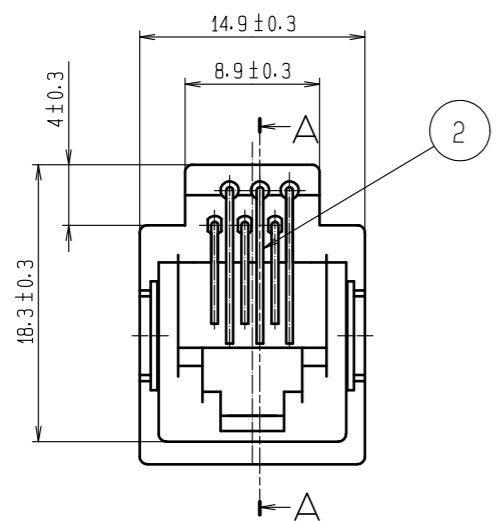
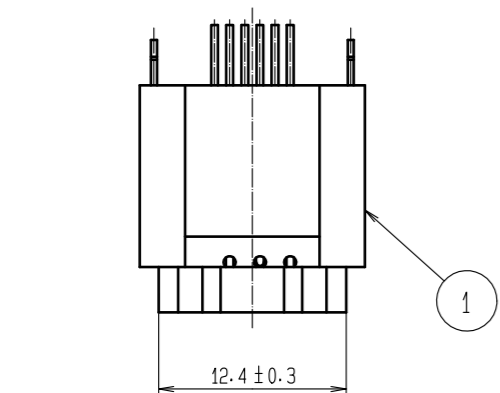
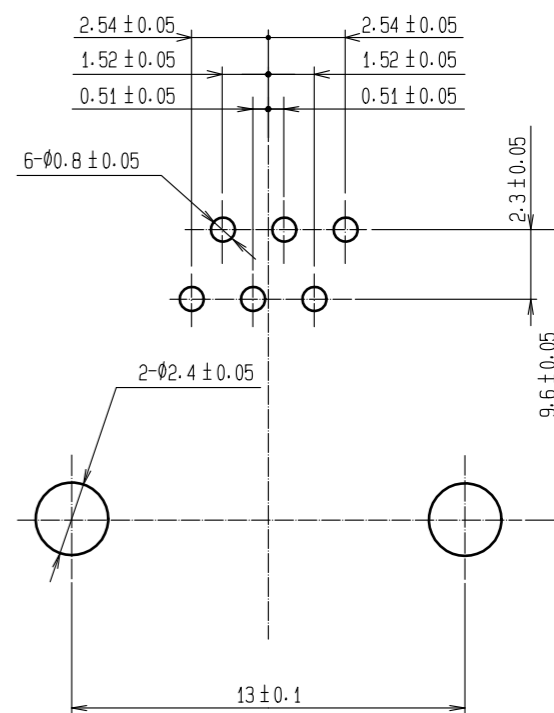


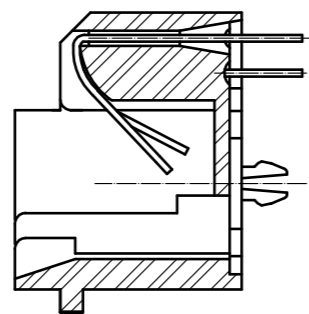
Sep.1.2021 Copyright 2021 HIROSE ELECTRIC CO., LTD. All Rights Reserved.  
In case of consideration for using Automotive equipment / device which demand high reliability, kindly contact our sales window correspondents.



1 RECOMMENDED PC BOARD PATTERN (4:1)  
t=1.6



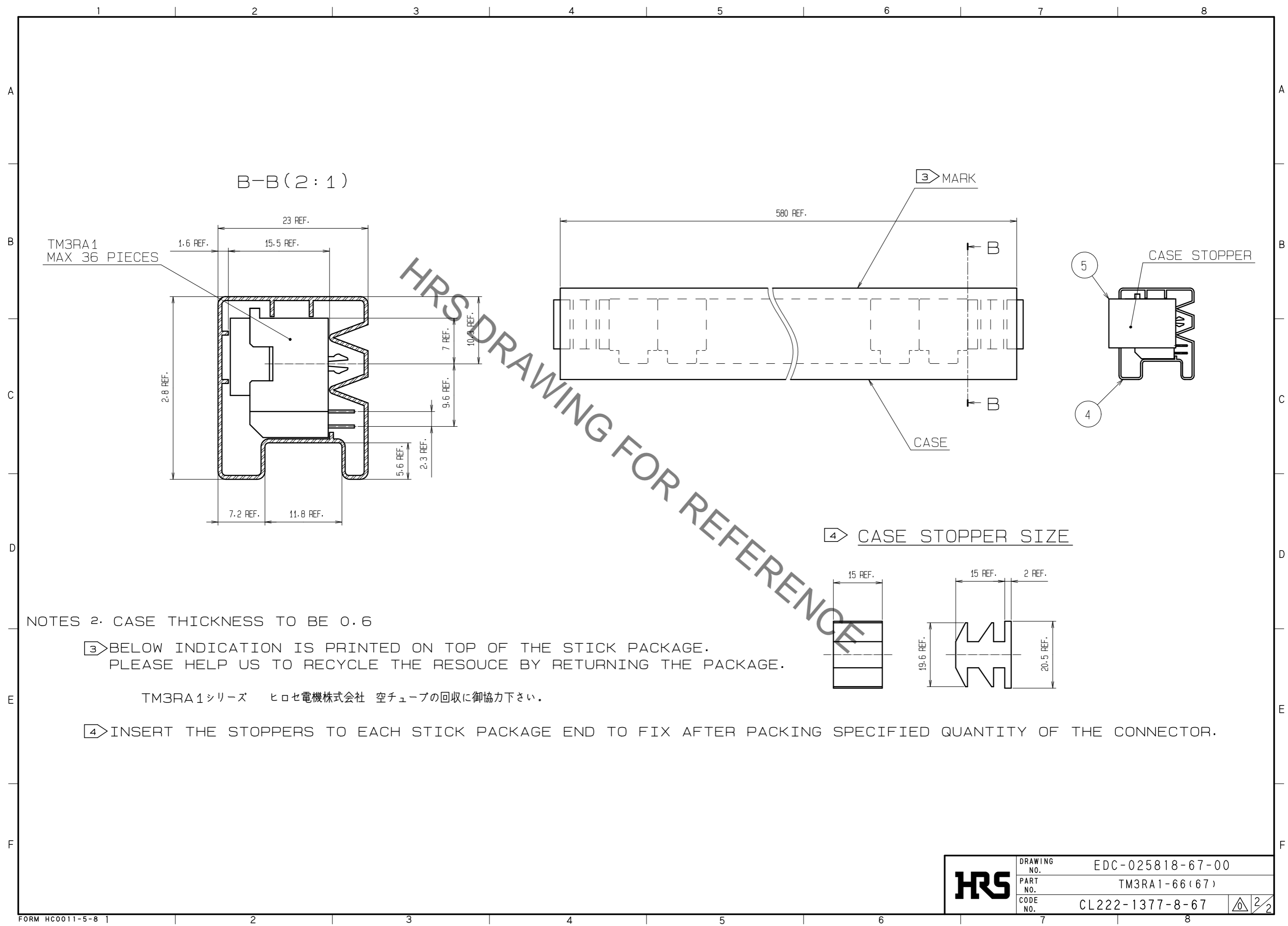
A-A



NOTE 1 PC BOARD DIMENSIONS ARE VIEWED FROM THE CONNECTOR MOUNTING SURFACE ON PCB.

2	PHOSPHOR BRONZE	CONTACT: GOLD PLATING 1.27µm min LEAR: GOLD PLATING 0.03µm min UNDER: NICKEL PLATING 1.27µm min	5	STYRENIC-BASED ELASTOMERS	BLUE
1	PBT	BLACK, UL94V-0	4	RIGID POLYVINYLCHLORIDE	CLEAR
			3	PHOSPHOR BRONZE	TIN REFLOW PLATING 1µm min
NO.	MATERIAL	FINISH, REMARKS	NO.	MATERIAL	FINISH, REMARKS
UNITS mm		SCALE 2:1	COUNT	DESCRIPTION OF REVISIONS	
DESIGNED		CHECKED		DATE	
APPROVED: NM. NISHIMATSU 16.03.31			DRAWING NO. EDC-025818-67-00		
CHECKED: NM. NISHIMATSU 16.03.31			PART NO. TM3RA1-66(67)		
DESIGNED: TS. ITO 16.03.31			CODE NO. CL222-1377-8-67		
DRAWN: TS. ITO 16.03.31			1/2		

Sep.1.2021 Copyright 2021 HIROSE ELECTRIC CO., LTD. All Rights Reserved.  
In case of consideration for using Automotive equipment / device which demand high reliability, kindly contact our sales window correspondents.



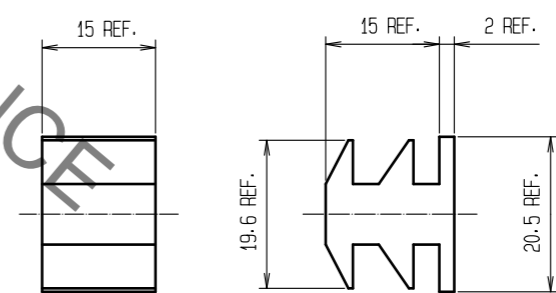
NOTES 2. CASE THICKNESS TO BE 0.6

③ BELOW INDICATION IS PRINTED ON TOP OF THE STICK PACKAGE.  
PLEASE HELP US TO RECYCLE THE RESOURCE BY RETURNING THE PACKAGE.

TM3RA1シリーズ ヒロセ電機株式会社 空チューブの回収に御協力下さい。

④ INSERT THE STOPPERS TO EACH STICK PACKAGE END TO FIX AFTER PACKING SPECIFIED QUANTITY OF THE CONNECTOR.

④ CASE STOPPER SIZE



<b>HRS</b>	DRAWING NO.	EDC-025818-67-00	2/2
	PART NO.	TM3RA1-66(67)	
	CODE NO.	CL222-1377-8-67	

## X-ON Electronics

Largest Supplier of Electrical and Electronic Components

*Click to view similar products for [Modular Connectors](#) / [Ethernet Connectors](#) category:*

*Click to view products by [Hirose](#) manufacturer:*

Other Similar products are found below :

[8949-H88/06BLKA/SN](#) [74441-0010/BKN](#) [MP1010RX-1000](#) [MP44RX-1000](#) [PHJ-4P4C-1-V-4](#) [PHP-6P6C-5](#) [GAX-3-66](#) [GAX-8-62](#) [GDCX-PA-66-50](#) [GDCX-PN-64](#) [GDCX-PN-66](#) [GDCX-PN-66-50](#) [GDLX-A-66](#) [GDLX-N-66](#) [GDLX-S-66](#) [GDLX-S-88K](#) [GDTX-S-88-50](#) [GDX-PA-1010](#) [GLX-N-1010M-BLK](#) [GLX-S-88M-BLK](#) [GMX-N-1010](#) [GMX-S-1010](#) [GMX-S-66](#) [GMX-SMT4-N-88](#) [GPX-2-64](#) [GSGX-N-2-88](#) [GSGX-N-4-88](#) [GSX-NS2-88-3.05-50](#) [PT-108A-8C-UL](#) [PT-J951-8C](#) [PTS-J531-8CS-50UL](#) [1-1775629-2](#) [A-2014-0-4](#) [GWLX-S-88-GR](#) [GWLX-S9-88-YG](#) [DC-1021-8-WH-6](#) [1300530003](#) [1324640-4](#) [RJ11FTVC2G](#) [RJ11FTVC2N](#) [RJFTVX2SA1G](#) [132764-001](#) [1413235](#) [MP88X-1000](#) [MPS88RX-5000](#) [MRJR-5481-0F2](#) [E5288-S000K3-L](#) [E5908-15A242-L](#) [155302-001](#) [AX100653](#)