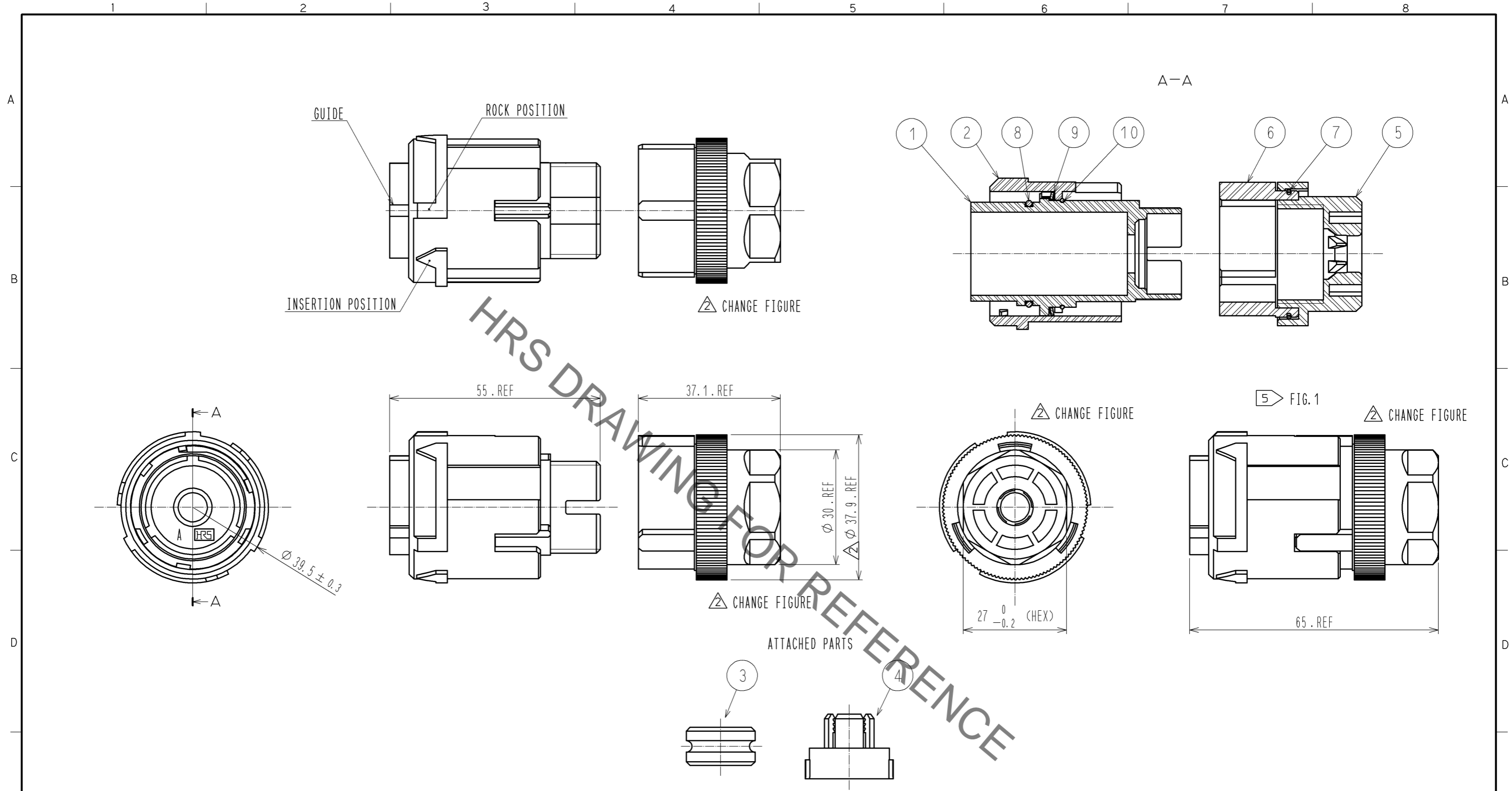


Sep.1.2021 Copyright 2021 HIROSE ELECTRIC CO., LTD. All Rights Reserved.
In case of consideration for using Automotive equipment / device which demand high reliability, kindly contact our sales window correspondents.



- NOTE
- 1 COMPONENTS OF REF. NO. ①, ②, ③, ⑨ AND ⑩ ARE ASSEMBLED PARTS.
 - 2 COMPONENTS OF REF. NO. ⑤, ⑥ AND ⑦ ARE ASSEMBLED PARTS.
 - 3 COMPONENTS OF REF. NO. ③ AND ④ ARE ATTACHED PARTS.
 - 4 MECHANICAL OPERATION IS 100 TIMES EXCEPT GASKET AND CLAMP (COMPONENTS REF. NO. ③ AND ④).
REPLACE REF. NO. ③ AND ④ WITH EACH TIME.
 - ⑤ Fig.1 SHOWS THE APPEARANCE AFTER ASSEMBLY.
 - 6 THE RECOMMENDED TIGHTENING TORQUE OF REF. NO. ① AND ⑤ TO BE 5 TO 5.5 N · m
 - 7 THE CABLE PULL AND TWISTING STRENGTH AND OTHER CHARACTERISTICS MAY DIFFER,
DEPENDING ON THE CABLE STRUCTURE. CONFIRM BEFORE USE.
 - 8 REFER TO ASSEMBLY PROCEDURE MANUAL ETAD-E3069.
 - ⑨ DO NOT INTEND TO PULL A COMPONENT OF REF. NO. ⑤, ⑥, ⑦ APART BY EXCESSIVE POWER.
IT MAY CAUSE DISASSEMBLY.

NO.	MATERIAL	FINISH . REMARKS	NO.	MATERIAL	FINISH . REMARKS
5	POLYAMIDE	BLACK, UL94V-0	10	STAINLESS STEEL	
4	POLYAMIDE	NC, WHITE, UL94V-0	9	STAINLESS STEEL	
3	SILICONE RUBBER	BLACK	8	SILICONE RUBBER	RED
2	POLYAMIDE	BLACK, UL94V-0	7	STAINLESS STEEL	
1	POLYAMIDE	BLACK, UL94V-0	6	POLYAMIDE	BLACK, UL94V-0

UNITS	SCALE	COUNT	DESCRIPTION OF REVISIONS	DESIGNED	CHECKED	DATE
mm	1 : 1	⑨ 6	DIS-E-004629	SG. CHAMURA	EJ. WAKATSUKI	13. 04. 15
APPROVED : RI. TAKAYASU 13. 01. 18			DRAWING NO. EDC3-128149-00			
CHECKED : EJ. WAKATSUKI 13. 01. 18			PART NO. TM41W-P			
DESIGNED : SG. CHAMURA 13. 01. 17			CODE NO. CL222-2979-6-00			
DRAWN : SG. CHAMURA 13. 01. 17			② 1/1			

X-ON Electronics

Largest Supplier of Electrical and Electronic Components

Click to view similar products for [Modular Connectors / Ethernet Connectors](#) category:

Click to view products by [Hirose](#) manufacturer:

Other Similar products are found below :

[8949-H88/06BLKA/SN](#) [74441-0010/BKN](#) [MP1010RX-1000](#) [MP44RX-1000](#) [PHJ-4P4C-1-V-4](#) [PHP-6P6C-5](#) [GAX-3-66](#) [GAX-8-62](#) [GDCX-PA-66-50](#) [GDCX-PN-64](#) [GDCX-PN-66](#) [GDCX-PN-66-50](#) [GDLX-A-66](#) [GDLX-N-66](#) [GDLX-S-66](#) [GDLX-S-88K](#) [GDTX-S-88-50](#) [GDX-PA-1010](#) [GLX-N-1010M-BLK](#) [GLX-S-88M-BLK](#) [GMX-N-1010](#) [GMX-S-1010](#) [GMX-S-66](#) [GMX-SMT4-N-88](#) [GPX-2-64](#) [GSGX-N-2-88](#) [GSGX-N-4-88](#) [GSX-NS2-88-3.05](#) [GSX-NS2-88-3.05-50](#) [GSX-NS-88-3.68](#) [PT-108A-8C-UL](#) [PT-J951-8C](#) [PTS-J531-8CS-50UL](#) [1-1775629-2](#) [A-2014-0-4](#) [GWLX-S-88-GR](#) [GWLX-S9-88-YG](#) [DC-1021-8-WH-6](#) [1300530003](#) [1324640-4](#) [RJ11FTVC2G](#) [RJ11FTVC2N](#) [RJFTVX2SA1G](#) [132764-001](#) [1413235](#) [MP88X-1000](#) [MPS88RX-5000](#) [MRJR-5481-0F2](#) [E5288-S000K3-L](#) [E5908-15A242-L](#)