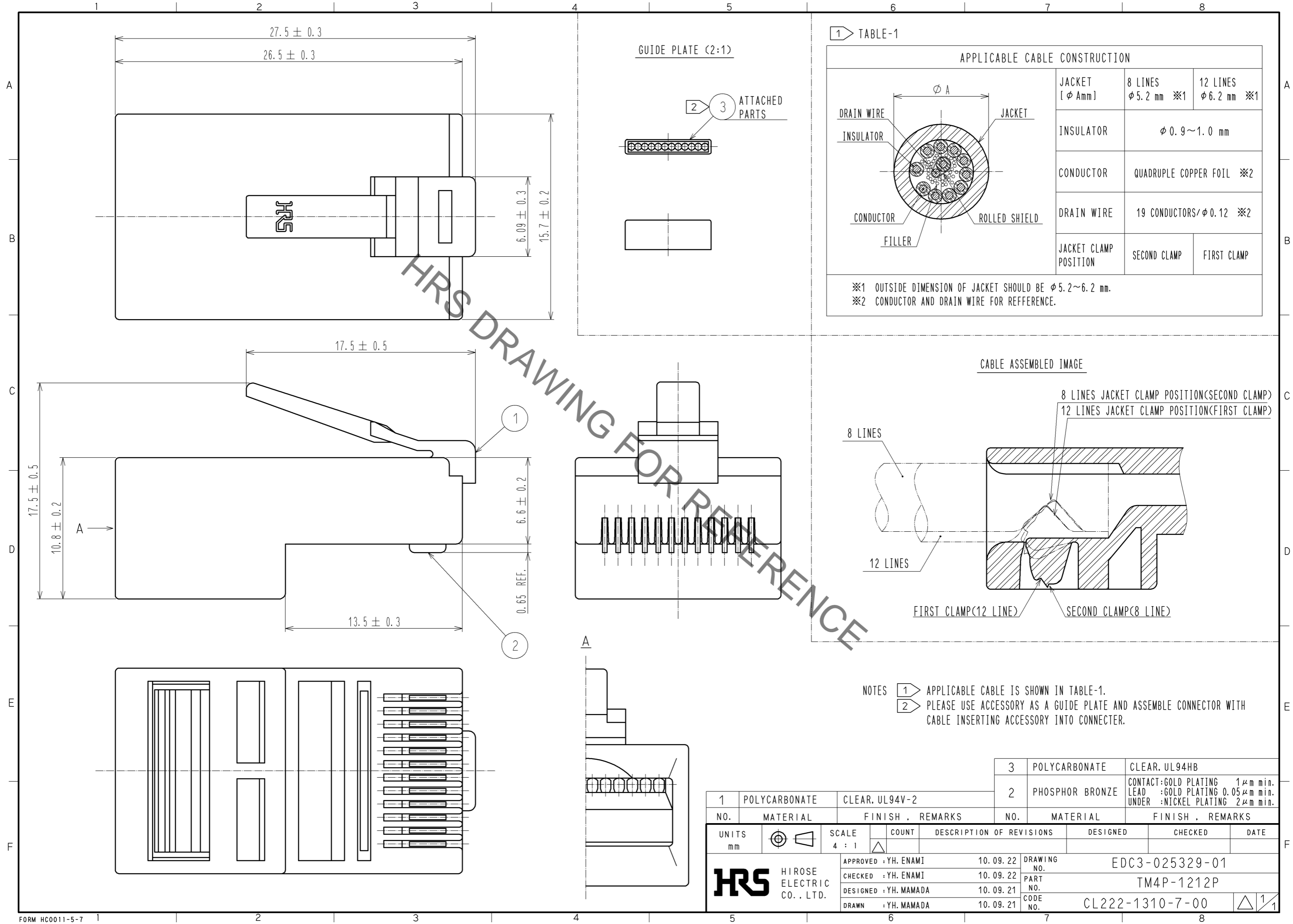


Aug.1.2021 Copyright 2021 HIROSE ELECTRIC CO., LTD. All Rights Reserved.
 In case of consideration for using Automotive equipment / device which demand high reliability, kindly contact our sales window correspondents.

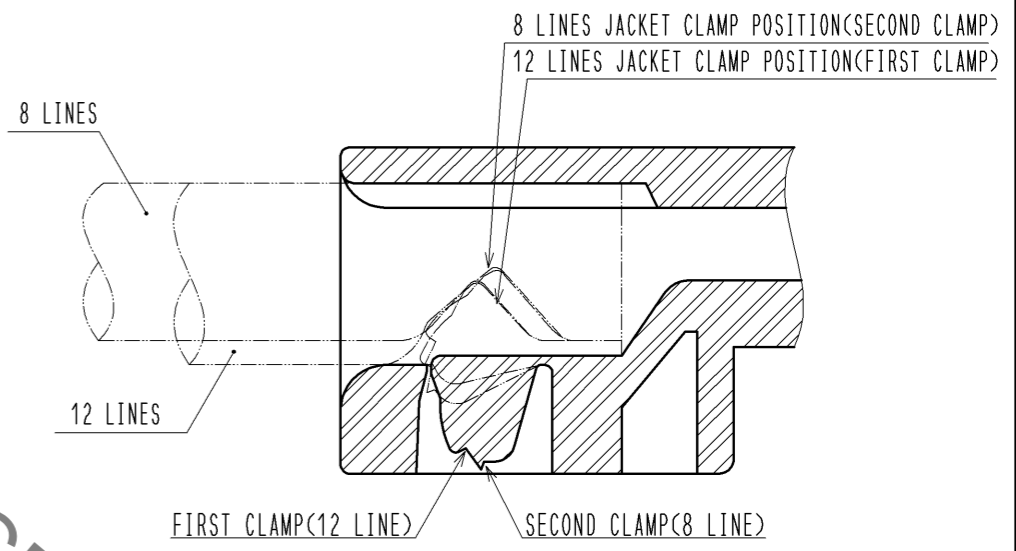


1 TABLE-1

APPLICABLE CABLE CONSTRUCTION		
JACKET [φ Amm]	8 LINES φ 5.2 mm ※1	12 LINES φ 6.2 mm ※1
INSULATOR	φ 0.9~1.0 mm	
CONDUCTOR	QUADRUPLE COPPER FOIL ※2	
DRAIN WIRE	19 CONDUCTORS/φ 0.12 ※2	
JACKET CLAMP POSITION	SECOND CLAMP	FIRST CLAMP

※1 OUTSIDE DIMENSION OF JACKET SHOULD BE φ 5.2~6.2 mm.
 ※2 CONDUCTOR AND DRAIN WIRE FOR REFERENCE.

CABLE ASSEMBLED IMAGE



- NOTES
- 1 APPLICABLE CABLE IS SHOWN IN TABLE-1.
 - 2 PLEASE USE ACCESSORY AS A GUIDE PLATE AND ASSEMBLE CONNECTOR WITH CABLE INSERTING ACCESSORY INTO CONNECTOR.

1	POLYCARBONATE	CLEAR. UL94V-2	3	POLYCARBONATE	CLEAR. UL94HB		
2	PHOSPHOR BRONZE		2	PHOSPHOR BRONZE	CONTACT:GOLD PLATING 1μm min. LEAD :GOLD PLATING 0.05μm min. UNDER :NICKEL PLATING 2μm min.		
NO.	MATERIAL	FINISH . REMARKS	NO.	MATERIAL	FINISH . REMARKS		
UNITS mm		SCALE 4 : 1	COUNT △	DESCRIPTION OF REVISIONS	DESIGNED	CHECKED	DATE
HRS HIROSE ELECTRIC CO., LTD.		APPROVED : YH. ENAMI	10.09.22	DRAWING NO. EDC3-025329-01			
		CHECKED : YH. ENAMI	10.09.22	PART NO. TM4P-1212P			
		DESIGNED : YH. MAMADA	10.09.21	CODE NO. CL222-1310-7-00			
		DRAWN : YH. MAMADA	10.09.21			△ 1/1	

X-ON Electronics

Largest Supplier of Electrical and Electronic Components

Click to view similar products for [Modular Connectors](#) / [Ethernet Connectors](#) category:

Click to view products by [Hirose](#) manufacturer:

Other Similar products are found below :

[8949-H88/06BLKA/SN](#) [74441-0010/BKN](#) [MP1010RX-1000](#) [MP44RX-1000](#) [PHJ-4P4C-1-V-4](#) [PHP-6P6C-5](#) [GAX-3-66](#) [GAX-8-62](#) [GDCX-PA-66-50](#) [GDCX-PN-64](#) [GDCX-PN-66](#) [GDCX-PN-66-50](#) [GDLX-A-66](#) [GDLX-N-66](#) [GDLX-S-66](#) [GDLX-S-88K](#) [GDTX-S-88-50](#) [GDX-PA-1010](#) [GLX-N-1010M-BLK](#) [GLX-S-88M-BLK](#) [GMX-N-1010](#) [GMX-S-1010](#) [GMX-S-66](#) [GMX-SMT4-N-88](#) [GPX-2-64](#) [GSGX-N-2-88](#) [GSGX-N-4-88](#) [GSX-NS2-88-3.05](#) [GSX-NS2-88-3.05-50](#) [GSX-NS-88-3.68](#) [PT-108A-8C-UL](#) [PT-J951-8C](#) [PTS-J531-8CS-50UL](#) [1-1775629-2](#) [A-2014-0-4](#) [GWLX-S-88-GR](#) [GWLX-S9-88-YG](#) [DC-1021-8-WH-6](#) [1300530003](#) [1324640-4](#) [RJ11FTVC2G](#) [RJ11FTVC2N](#) [RJFTVX2SA1G](#) [132764-001](#) [1413235](#) [MP88X-1000](#) [MPS88RX-5000](#) [MRJR-5481-0F2](#) [E5288-S000K3-L](#) [E5908-15A242-L](#)