

NO.	DESCRIPTION OF REVISIONS	BY	CHKD	DATE	COUNT	DESCRIPTION OF REVISIONS	BY	CHKD	DATE

TABLE-1

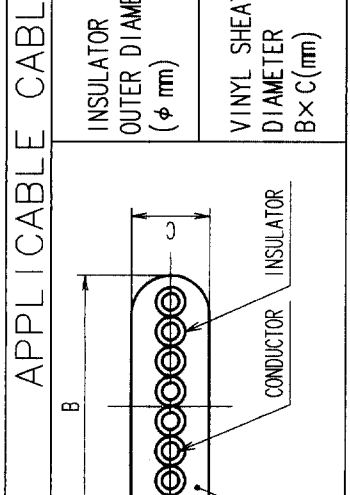
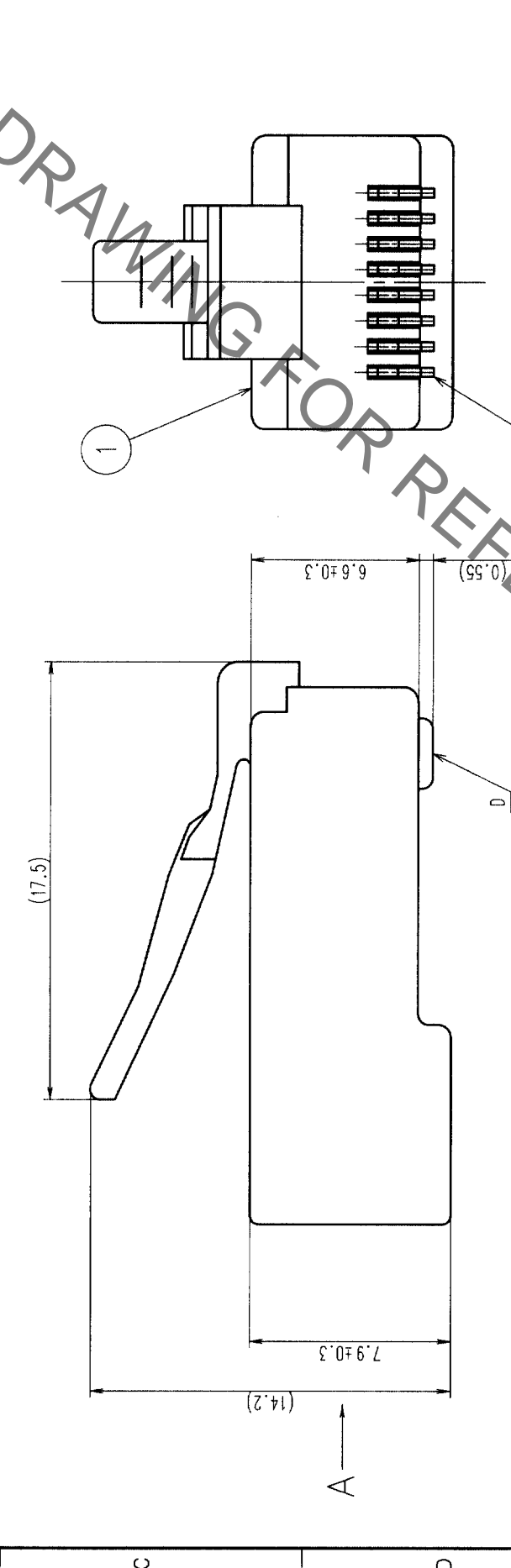


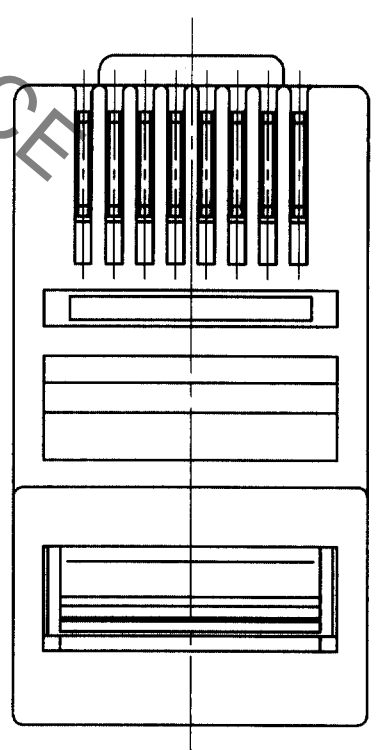
TABLE-2

EQUIPMENT	PART No.
SEMI-AUTO ASSEMBLY MACHINE	APPLICATOR 105 TM8/10P88
HAND TOOL	TC-2220- 8/10P-88-1

APPLICABLE CABLE	
INSULATOR OUTER DIAMETER (φ mm)	φ0.90~φ1.00
VINYL SHEATH DIAMETER B x C (mm)	8.8 x 2.6



NOTES
 1. THE DIMENSION IN PARENTHESIS ARE FOR REFERENCE.
 2. APPLICABLE CABLE OF THIS CONNECTOR IS SHOWN IN TABLE-1.
 3. USE THE JIGS SHOWN IN TABLE-2 FOR WIRING THIS CONNECTOR.



1	POLYCARBONATE	COLOR: CLEAR	2	PHOSPHOR BRONZE	GOLD PLATED 1.27μm(D AREA)
NO.	MATERIAL	FINISH, REMARKS	NO.	MATERIAL	FINISH, REMARKS
CODE NO. (OLD)	DRAWN N. Tanaka		DESIGNED T. Watanabe	CHECKED T. Watanabe	APPROVED T. Watanabe
			02.7.1	02.7.1	02.7.1
DRAWING NO. EDC3-028187		PART NO. TM8P-88P			
SCALE 5 : 1					
UNITS mm					
HRS HIROSE ELECTRIC CO., LTD		CODE NO. CL222-1817-9		FORM NO. 229	

TO	Q2
----	----

X-ON Electronics

Largest Supplier of Electrical and Electronic Components

Click to view similar products for [Modular Connectors](#) / [Ethernet Connectors](#) category:

Click to view products by [Hirose](#) manufacturer:

Other Similar products are found below :

[8949-H88/06BLKA/SN](#) [74441-0010/BKN](#) [MP1010RX-1000](#) [MP44RX-1000](#) [PHJ-4P4C-1-V-4](#) [PHP-6P6C-5](#) [GAX-3-66](#) [GAX-8-62](#) [GDCX-PA-66-50](#) [GDCX-PN-64](#) [GDCX-PN-66](#) [GDCX-PN-66-50](#) [GDLX-A-66](#) [GDLX-N-66](#) [GDLX-S-66](#) [GDLX-S-88K](#) [GDTX-S-88-50](#) [GDX-PA-1010](#) [GLX-N-1010M-BLK](#) [GLX-S-88M-BLK](#) [GMX-N-1010](#) [GMX-S-1010](#) [GMX-S-66](#) [GMX-SMT4-N-88](#) [GPX-2-64](#) [GSGX-N-2-88](#) [GSGX-N-4-88](#) [GSX-NS2-88-3.05](#) [GSX-NS2-88-3.05-50](#) [GSX-NS-88-3.68](#) [PT-108A-8C-UL](#) [PT-J951-8C](#) [PTS-J531-8CS-50UL](#) [1-1775629-2](#) [A-2014-0-4](#) [GWLX-S-88-GR](#) [GWLX-S9-88-YG](#) [DC-1021-8-WH-6](#) [1300530003](#) [1324640-4](#) [RJ11FTVC2G](#) [RJ11FTVC2N](#) [RJFTVX2SA1G](#) [132764-001](#) [1413235](#) [MP88X-1000](#) [MPS88RX-5000](#) [MRJR-5481-0F2](#) [E5288-S000K3-L](#) [E5908-15A242-L](#)