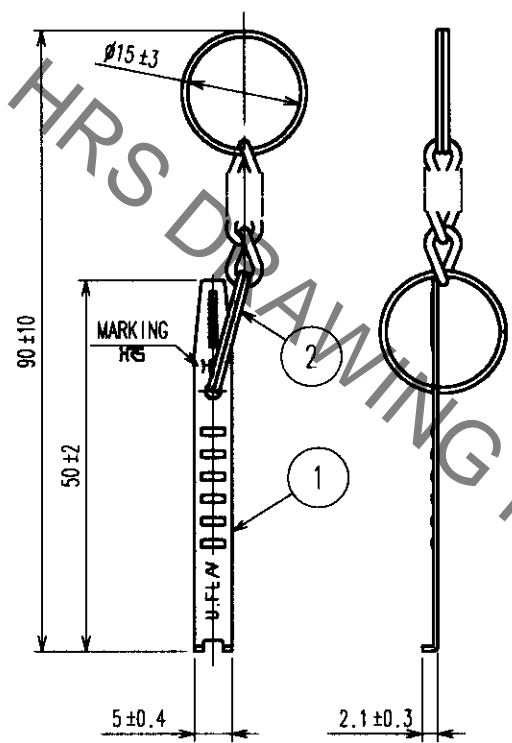


Aug.1.2021 Copyright 2021 HIROSE ELECTRIC CO., LTD. All Rights Reserved.  
In case of consideration for using Automotive equipment / device which demand high reliability, kindly contact our sales window correspondents.

1		2			3			4		
COUNT	DESCRIPTION OF REVISIONS	BY	CHKD	DATE	COUNT	DESCRIPTION OF REVISIONS	BY	CHKD	DATE	
△					△					
△					△					
△					△					

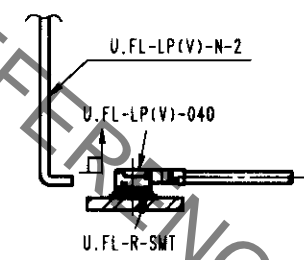


**NOTES**

1. THIS JIG IS FOR WITHDRAWING U.FL-LP(V)-040 CONNECTOR. L-SHAPED BENDING PORTION OF THIS JIG SHALL BE INSERTED INTO CONNECTOR AND HOOKED ON THE CONNECTOR CAP AND WITHDRAWN.

THIS JIG CANNOT BE APPLIED TO SAME SERIES SHOWN BELOW. U.FL-LP-040, U.FL-LP-066

NEVER PULL CABLE TO EXTRACT THE CONNECTOR, OTHERWISE WILL RESULT TO CONNECTOR DAMAGE.



2. ONE EXAMPLE OF SHAPE OF CHAIN, REF. No. ② IS SHOWN.

1	STAINLESS STEEL	DEGREASING	2	STEEL	NICKEL PLATED
NO.	MATERIAL	FINISH, REMARKS	NO.	MATERIAL	FINISH, REMARKS
CODE NO. (OLD) CL		DRAWN S.YAMAGUCHI 02.11.06	DESIGNED S.YAMAGUCHI 02.11.06	CHECKED <i>H. Shimizu</i> 02.11.09	APPROVED <i>Kobayashi</i> 02.11.09
DRAWING NO. EDC4-138132		PART NO. U.FL-LP(V)-N-2			
UNITS mm		CODE NO. CL331-0493-2			1/1

TO
RF



## X-ON Electronics

Largest Supplier of Electrical and Electronic Components

*Click to view similar products for [Extraction, Removal & Insertion Tools](#) category:*

*Click to view products by [Hirose](#) manufacturer:*

Other Similar products are found below :

[M8196914-08](#) [768211-2](#) [809-131](#) [844751-2](#) [8-59558-2](#) [91018-1](#) [12014013](#) [12093647](#) [1-21048-0](#) [R282867020](#) [12093078](#) [12180559](#) [1-21048-6](#) [12121897](#) [DCF.91.405.5LT](#) [1322](#) [13549852](#) [15314260](#) [15313892](#) [15350698](#) [15350707](#) [15430130](#) [1643916-1](#) [1-679532-0](#) [1976593-3](#) [OUTEXT-0321](#) [2-1579008-3](#) [2-1579008-4](#) [229694-7](#) [231106-1](#) [241469](#) [91040-3](#) [91040-7](#) [965004-000](#) [965069-000](#) [1738219-1](#) [ET-JL05-16](#) [FG 0300 146 3000](#) [FIT-6](#) [210S048](#) [2-1579007-9](#) [231879-1](#) [CF-008025-000](#) [312138-3](#) [RJ11FODE](#) [356-162](#) [M8196914-10](#) [4-1579018-0](#) [483249-1](#) [5-1579007-2](#)