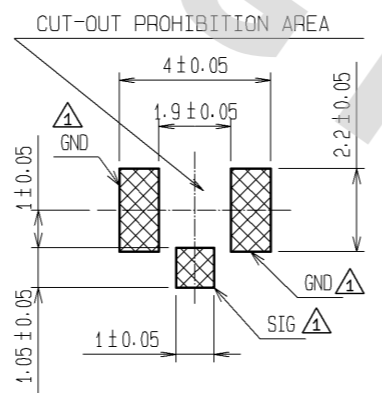
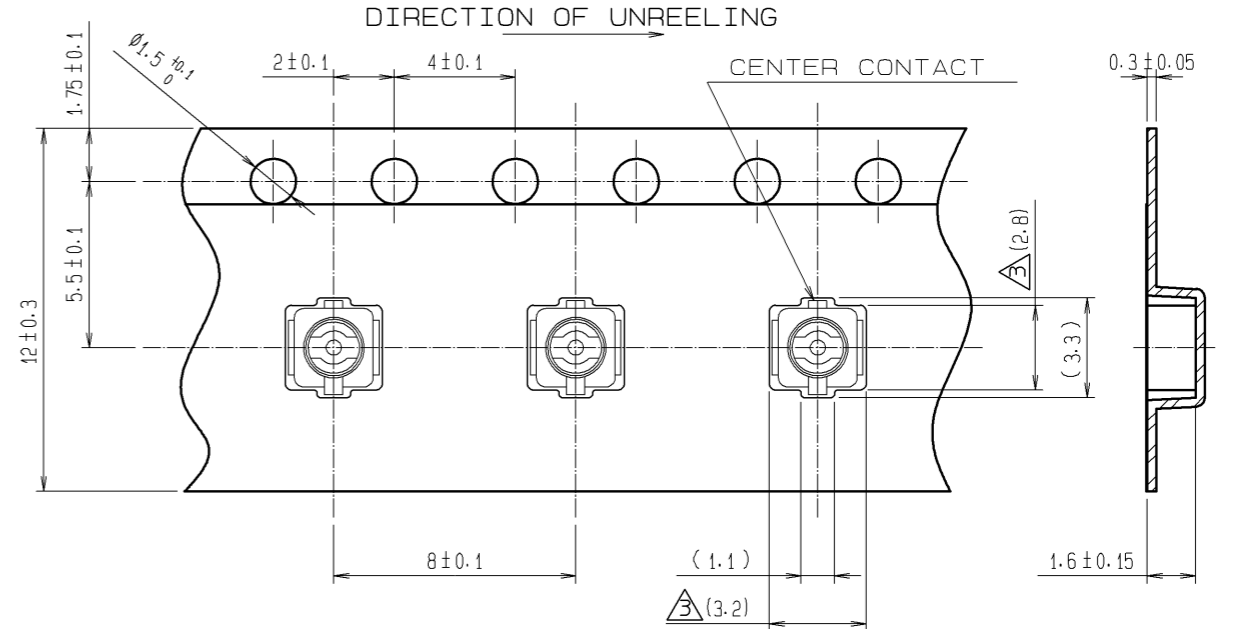


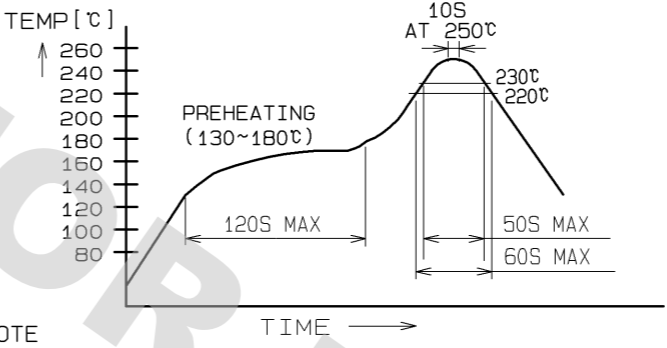
RECOMMENDED PC BOARD PATTERN DRAWING (5:1)



ENBOSSSED TAPING DRAWING (4:1)

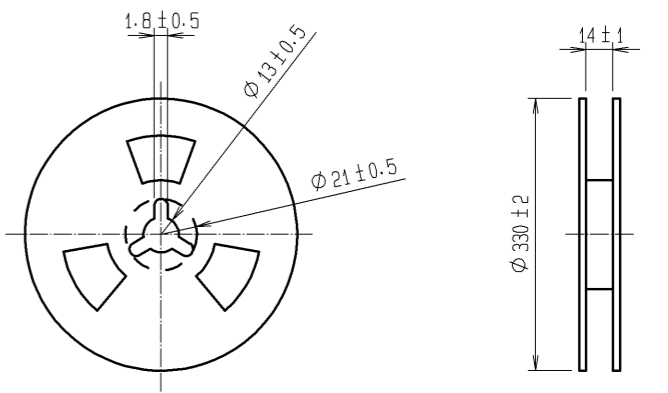


MOUNTING TEMPERATURE PROFILE (REFERENCE)



NOTE
 MOUNTING TEMPERATURE PROFILE VARIES ACC TO BOARD SIZE, SOLDER TYPE APPLIED AND SOLDER THICKNESS.
 ·METAL MASK THICKNESS: 0.1mm / 0.12mm
 ·Up to 2cycles of Reflow.

REEL DRAWING (SCALE FREE)



NOTES:

- 1: THE QUANTITY OF U.FL-R-SMT(10) IS 2500 CONNECTORS PER REEL.
- 2: THIS DIMENSION SHOWS THE ALLOWABLE RANGE THAT THE RESIN IS PUT OVER THE CENTER CONTACT.
- 3: LEAD CO-PLANARITY SHALL BE 0.1MAX.
- 4: FOR THE POSSIBILITY OF BREAKAGE OR DEFORMATION, DO NOT MATE THIS CONNECTOR WITH PARTNER, U.FL-LP-*** BEFORE MOUNTING ON PC BOARD.
- 5: USE ALL PRODUCTS WITHIN 6 MONTHS AFTER THE DELIVERY. STORE THEM IN MANUFACTURER'S PACKAGE OR TIGHTLY RE-CLOSED BOX WITH THE FOLLOWING CONDITIONS. CHECK THE TERMINAL SOLDERABILITY BEFORE USE IF THE PRODUCT HAS BEEN STORED FOR MORE THAN 6 MONTHS.
 TEMPERATURE: -10°C TO +40°C
 HUMIDITY : 15 TO 85% RH.
- 6: ENVIRONMENTAL CONDITIONS DO NOT USE THE PRODUCTS UNDER THE ENVIRONMENTAL CONDITIONS AS SHOWN BELOW DUE TO POSSIBLE PRODUCT DETERIORATION.

SPECIAL GAS ATMOSPHERE (HYDROGEN SULFIDE GAS, SULFUR SULFIDE GAS AND HYDROGEN CHLORIDE GAS)
 PLACE ATTENTION REQUIRED: HEATING SYSTEM, AREA NEAR HOT SPRING, VOLCANIC MOUNTAIN AND ALIKE.
 WATER SPLASHED AND CONDENSATION PLACES.
 PLACE ATTENTION REQUIRED: HARSH TEMPERATURE CHANGE.

2	BRASS	GOLD PLATING	3	LCP	(BEIGE) · UL94V-0				
1	PHOSPHOR BRONZE	SILVER PLATING							
NO.	MATERIAL	FINISH	REMARKS	NO.	MATERIAL	FINISH	REMARKS		
UNITS	mm	SCALE	10:1	COUNT	2	DESCRIPTION OF REVISIONS	DESIGNED	CHECKED	DATE
						DIS-D-002045	MT. KANEKO	NK. NINOMIYA	10. 12. 10
				APPROVED	IJ. MITANI	05. 01. 05	DRAWING NO. EDC3-131821-10		
				CHECKED	MH. YAMANE	05. 01. 05	PART NO. U. FL-R-SMT(10)		
				DESIGNED	NK. NINOMIYA	05. 01. 05	CODE NO. CL331-0471-0-10		
				DRAWN	MA. SAEKI	05. 01. 05	1/1		

DRAWING FOR REFERENCE: This is subject to change without notice
08/11/2012

X-ON Electronics

Largest Supplier of Electrical and Electronic Components

Click to view similar products for [RF Connectors / Coaxial Connectors](#) category:

Click to view products by [Hirose](#) manufacturer:

Other Similar products are found below :

[8915-1511-000](#) [89674-0827](#) [6001-7071-019](#) [6002-7051-003](#) [6002-7551-202](#) [6059674-1](#) [619550-1](#) [630059-000](#) [M39030/3-01N](#) [6500-7071-046](#) [6769](#) [CX050L2AQ](#) [7002-1542-011](#) [7004-1512-000](#) [7009-1511-004](#) [7010-1511-000](#) [7029-1511-060](#) [7101-1541-010](#) [7101-1571-002](#) [7105-1521-002](#) [7145-1521-002](#) [7203-1571-003](#) [7209-1511-011](#) [7210-1511-015](#) [7210-1511-019](#) [73137-5015](#) [73216-2241](#) [73404-2300](#) [7405-1521-005](#) [7405-1521-802](#) [8527](#) [8547](#) [FS11V](#) [8808-1511-001](#) [9049-9513-000](#) [9074-9513-000](#) [9101-9573-002](#) [910A205F](#) [9130-9573-002](#) [PL11SC-026](#) [PL375-33](#) [PL40-5](#) [PL74C-221](#) [PL75MC-217](#) [PL803-7](#) [980-8666-005](#) [1200690078](#) [1-201144-1](#) [R107003010W](#) [R110A172100](#)