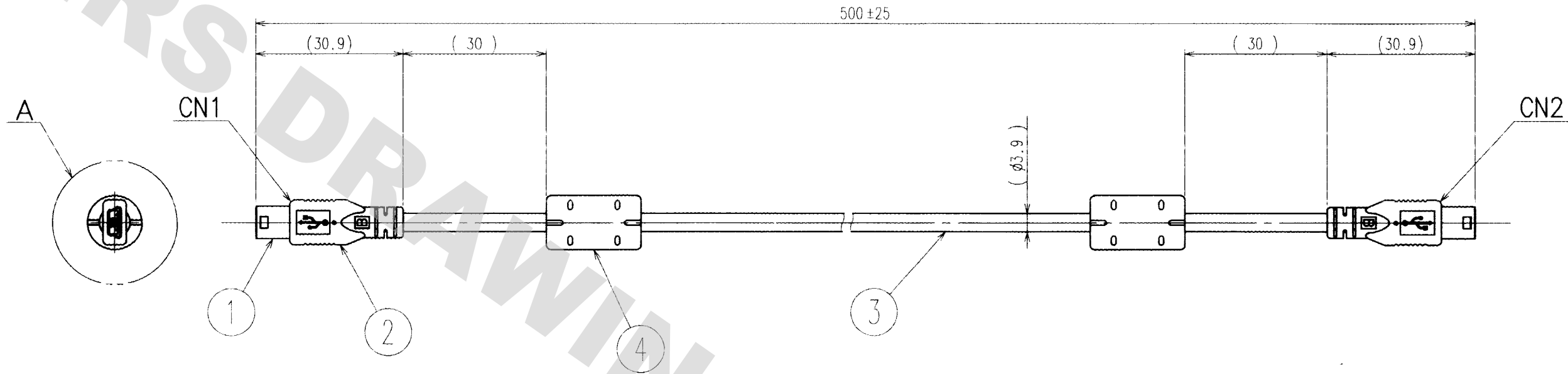


5					6					7					8				
COUNT	DESCRIPTION OF REVISIONS				BY	CHKD	DATE	COUNT	DESCRIPTION OF REVISIONS				BY	CHKD	DATE				
△							..	△							..				
△							..	△							..				
△							..	△							..				



A(4:1)

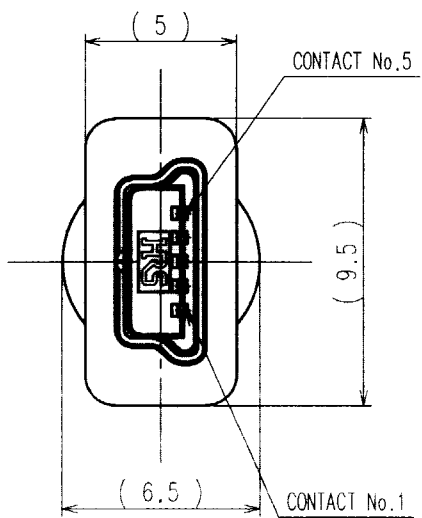


TABLE-1 WIRING DIAGRAM

CN1 CONTACT No.	1	2	3	4	5
CN2 CONTACT No.	1	2	3	4	5

CN1,2 CONTACT No.	1	2	3	4	5	SHELL
SIGNAL	Vcc	DATA -	DATA +	NON WIRERING	GND	BRAIDED WIRE + DRAIN WIRE
WIRING COLOR	RED	WHITE	GREEN		BLACK	

- NOTES
- 1 REFER TO TABLE-1 FOR WIRING OF CN1 AND CN2.
  - 2 THIS PRODUCT IS USING THE CABLE MADE FROM LTK ELECTRIC WIRE LTD, AND Q-USB-156D (USB2.0 1P×AWG28, 2C×AWG28).
  - 3 THIS PRODUCT IS USING THE FERRITE CORE MADE FROM URITE CORPORATION, AND F18 RH 9×15×5.

2	PVC	BLACK	4	FERRITE CORE	3	BLACK
1	CONNECTOR	UX40-MB-5P	3	INTERFACE CABLE	2	BLACK
NO.	MATERIAL	FINISH, REMARKS	NO.	MATERIAL	FINISH, REMARKS	

CODE NO. (OLD)	DRAWN	DESIGNED	CHECKED	APPROVED	RELEASED
	<i>N. Yamaoka</i>	<i>N. Yamaoka</i>	<i>M. Nakamura</i>	<i>[Signature]</i>	
	03.8.7	03.7.7	03.8.7	03.8.7	

SCALE	DRAWING NO.	PART NO.
1 : 1	EDC3-123640	UX40-MB-5PP-500-1002
UNITS	<b>HRS</b> HIROSE ELECTRIC CO., LTD	CODE NO.
		CL240-1002-7

DRAWING FOR REFERENCE: This is subject to change without notice 08/11/2012

TO
Q1

## X-ON Electronics

Largest Supplier of Electrical and Electronic Components

*Click to view similar products for [USB Cables / IEEE 1394 Cables](#) category:*

*Click to view products by [Hirose](#) manufacturer:*

Other Similar products are found below :

[68768-0173](#) [FNY-W6003-01](#) [88764-0800](#) [148700-1](#) [17-200621](#) [17-250051P](#) [954](#) [17-200261](#) [AC102012-1](#) [AC102012-2](#) [FTP-629Y601](#) [45-1345-15](#) [45-1358-15](#) [45-1363-15](#) [IP-USB1\(C10\)S-RW](#) [CABLE/RTP/USB/DT](#) [45-1351-15](#) [45-1357-15](#) [45-1433-1](#) [687680278](#)  
[USBFTVX2SA2N03A](#) [USBFTV2SA2N03A](#) [USBFTV2SA2N05A](#) [MDM9PH004B](#) [MDM9PH004P](#) [FTP-629Y401](#) [FTP-628Y302](#) [FTP-628Y402](#) [CSMNB9MF-5](#) [FNY-W6022](#) [UA-30AMF-SD7B03](#) [UA-30AMFM-SL7B03](#) [USBAPSCC7202A](#) [UES-1001A160](#) [UES-1003A160](#)  
[USBFTVX7SA2N20A](#) [USBFTV2PEMSA2N10A](#) [FTP-629Y602](#) [USBCAMCM100](#) [USB A/F\\*2 to 2.54 2\\*5P-SH L=400mm](#) [68784-0075](#)  
[USB-29](#) [19800-010500-200-RS](#) [103-1092-BL-F0050](#) [103-1020-BL-00100](#) [103-1092-BL-F0200](#) [103-1092-BL-F0100](#) [105-1092-BL-00300](#)  
[105-1092-BL-00200](#) [105-1031-BL-00200](#)