

DRAWING FOR REFERENCE: This is subject to change without notice  
 In cases where the application will demand a high level of reliability, such as automotive, please contact a company representative for further information.

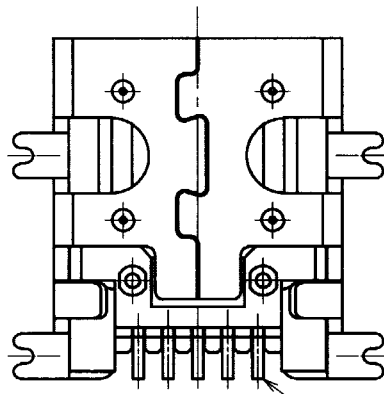
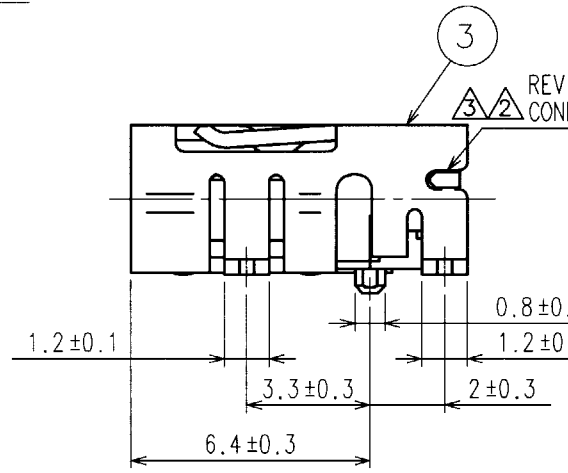
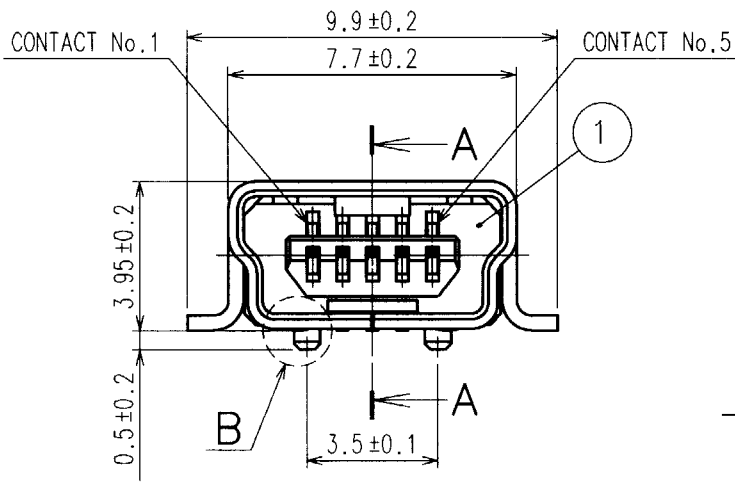
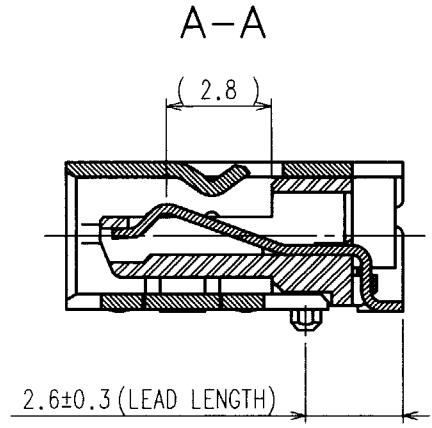
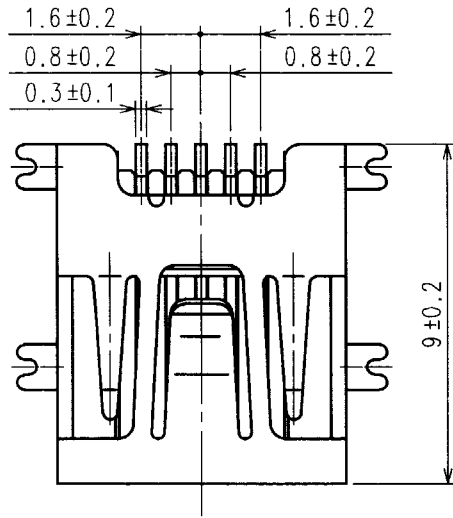
TO  
 Q1  
 Q2  
 1 DN

COUNT	DESCRIPTION OF REVISIONS	BY	CHKD	DATE	COUNT	DESCRIPTION OF REVISIONS	BY	CHKD	DATE
△					△				
△					△				
<b>APPLICABLE STANDARD</b>									
RATING	OPERATING TEMPERATURE RANGE	-30°C TO 75°C			STORAGE TEMPERATURE RANGE	-40°C TO 85°C			
	VOLTAGE	5V AC			OPERATING HUMIDITY RANGE	-% TO -%			
	CURRENT	1A			APPLICABLE CABLE	-			
<b>SPECIFICATIONS</b>									
ITEM		TEST METHOD			REQUIREMENTS			QT	AT
<b>CONSTRUCTION</b>									
GENERAL EXAMINATION		VISUALLY AND BY MEASURING INSTRUMENT.			ACCORDING TO DRAWING.			<input type="checkbox"/>	<input type="checkbox"/>
MARKING		CONFIRMED VISUALLY.						<input type="checkbox"/>	<input type="checkbox"/>
<b>ELECTRIC CHARACTERISTICS</b>									
CONTACT RESISTANCE		100 mA (DC OR 1000 Hz).						<input type="checkbox"/>	<input type="checkbox"/>
CONTACT RESISTANCE MILLIVOLT LEVEL METHOD.		20 mV MAX, 100 mA(DC OR 1000 Hz).			50 mΩ MAX.			<input type="checkbox"/>	<input type="checkbox"/>
INSULATION RESISTANCE		100 V DC			100 MΩ MIN.			<input type="checkbox"/>	<input type="checkbox"/>
VOLTAGE PROOF		100 V AC FOR 1min.			NO FLASHOVER OR BREAKDOWN			<input type="checkbox"/>	<input type="checkbox"/>
CAPASITANCE		MEASURE ADJACENT TWO CONTACTS AT 1000±10Hz AC VOLTAGE.			2 pF MAX			<input type="checkbox"/>	<input type="checkbox"/>
<b>MECHANICAL CHARACTERISTICS</b>									
INSERTION AND WITHDRAWAL FORCES		MEASURED BY APPLICABLE CONNECTOR.			INSERTION FORCE 35 N MAX. EXTRACTION FORCE 7 N MIN.			<input type="checkbox"/>	<input type="checkbox"/>
MECHANICAL OPERATION		5000 TIMES INSERTIONS AND EXTRACTIONS.			① CONTACT RESISTANCE: 70 mΩ MAX. ② EXTRACTION FORCE 3 N MIN. ③ NO DAMAGE, CRACK AND LOOSENESS, OF PARTS.			<input type="checkbox"/>	<input type="checkbox"/>
VIBRATION		FREQUENCY 10 TO 55 Hz, SINGLE AMPLITUDE 0.75 mm AT 2 h, FOR 3 DIRECTIONS.			① NO ELECTRICAL DISCONTINUITY OF 1 μs. ② NO DAMAGE, CRACK AND LOOSENESS, OF PARTS.			<input type="checkbox"/>	<input type="checkbox"/>
RANDOM VIBRATION		FREQUENCY 50 TO 2000 Hz, AT 15 min, FOR 3 DIRECTIONS.						<input type="checkbox"/>	<input type="checkbox"/>
SHOCK		490 m/s <sup>2</sup> DIRECTIONS OF PULSE 11 ms AT 3TIMES FOR 6 DIRECTION. HALF SINE WAVE.						<input type="checkbox"/>	<input type="checkbox"/>
<b>ENVIRONMENTAL CHARACTERISTICS</b>									
THERMAL SHOCK		TEMPERATURE -55→ 20~35→ 85→ 20~35 °C TIME 30 → 2~3 → 30 → 2~3 min UNDER 10 CYCLES,			① CONTACT RESISTANCE: 70 mΩ MAX. ② NO DAMAGE, CRACK AND LOOSENESS, OF PARTS.			<input type="checkbox"/>	<input type="checkbox"/>
HUMIDITY LIFE		TEMPERATURE -10~65 °C, HUMIDITY 90 TO 98 %, UNDER 7 CYCLES (168 h)			① INSULATION RESISTANCE: 10 MΩ MIN.(AT DRY) ② NO DAMAGE, CRACK AND LOOSENESS, OF PARTS.			<input type="checkbox"/>	<input type="checkbox"/>
CORROSION SALT MIST		EXPOSED IN 5% SALT WATER SPRAY FOR 48 h. (JIS C 5402)			① CONTACT RESISTANCE: 70 mΩ MAX. ② NO DAMAGE, CRACK AND LOOSENESS, OF PARTS.			<input type="checkbox"/>	<input type="checkbox"/>
SOLDERABILITY		SOLDERED AT TEMP.245°C FOR IN IMMERSION,DURATION,2~3 S.			SOLDER SHALL COVER A MINIMUM OF 95% OF THE SURFACE BEING IMMERSED.			<input type="checkbox"/>	<input type="checkbox"/>
REMARKS				DRAWN	DESIGNED	CHECKED	APPROVED	RELEASED	
Unless otherwise specified, refer to USB2.0 EIA364.				<i>m. Kenjo</i>	<i>m. Kenjo</i>	<i>S. Matsuyama</i>	<i>S. Kuroki</i>		
Note QT:Qualification Test AT:Assurance Test ○:Applicable Test				01.7.10	01.7.10	01.7.11	01.7.12		
<b>HRS</b> HIROSE ELECTRIC CO., LTD.		SPECIFICATION SHEET			PART NO. UX60-MB-5ST				
CODE NO.(OLD)		DRAWING NO. ELC4-123209		CODE NO. CL240-0001-9			1 1		

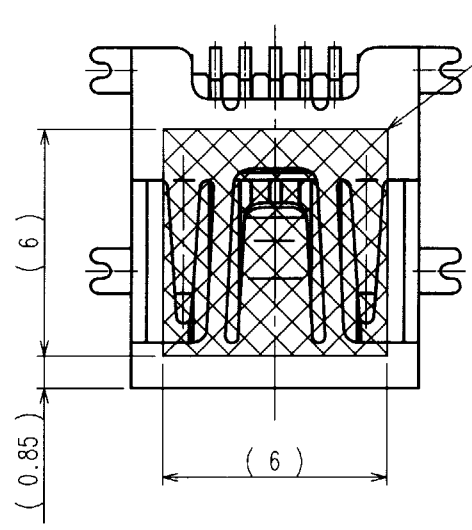


A  
B  
C  
D  
E  
F

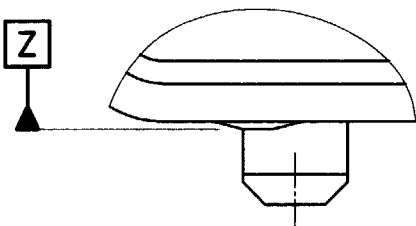
1 2 3 4



PICK & PLACE TAPE POSITION



B (20 : 1) (TOTAL 4 POINTS)



TO

1 2 3 4



## X-ON Electronics

Largest Supplier of Electrical and Electronic Components

*Click to view similar products for [USB Connectors](#) category:*

*Click to view products by [Hirose](#) manufacturer:*

Other Similar products are found below :

[65-647-8-BK-BU](#) [950](#) [E8144-B01021-L](#) [A-USB A-LP-SMT-C](#) [A-USB B-TOP-C](#) [MUSBA511N5](#) [MUSBD11135](#) [217450-1](#) [CA 6 W LD](#)  
[KMBVX-TH-5S-B30](#) [896-30-004-00-000000](#) [KUSBVX-BS1N-W30](#) [KUSBX-AP-KIT-SCBLK](#) [KUSBX-AS2N-W](#) [KUSBX-SMT2AP1S-W](#)  
[KUSBX-SMT2AP1S-W30](#) [935](#) [957](#) [30-498-6](#) [17-210051](#) [1734082-1](#) [30-1574](#) [30-470](#) [30-489](#) [30-541](#) [30-572-3](#) [MAB 8 SN V](#) [A-USB A-](#)  
[2P-C](#) [MIKROE-1451](#) [USBFTV2PEM2G](#) [USBFTVC6ZN](#) [KUSBX-AS2N-W30](#) [KUSBX-SLAS1N-W](#) [KUSBX-SMT-AS1N-W30](#) [4689-1](#) [1-](#)  
[1734084-2](#) [E8110-001-01](#) [MUSBA81130](#) [33UBARS1-04SW11](#) [33UBAR-04SW11](#) [USBF21ZNSCC](#) [USBBFTV6ZC](#) [10135326-001LF](#)  
[M9177/3-1](#) [USB-A-S-F-B-VT](#) [925](#) [4198](#) [690-024-633-031](#) [KUSBEX-BSFS1N-W](#) [USBFTVC6MRG](#)