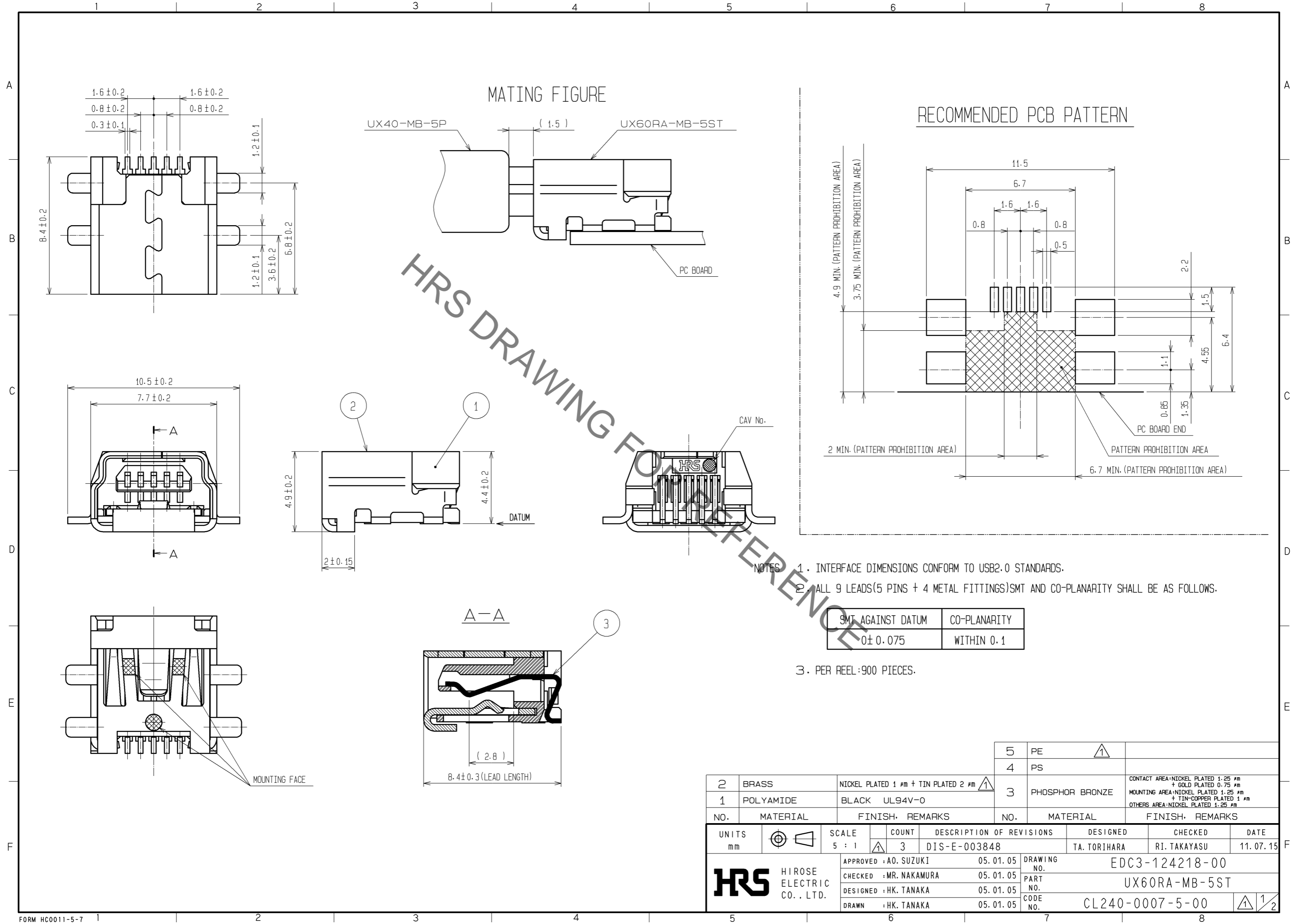


Jun.1.2019 Copyright 2019 HIROSE ELECTRIC CO., LTD. All Rights Reserved.
 In case of consideration for using Automotive equipment / device which demand high reliability, kindly contact our sales window correspondents.



HRS DRAWING FOR REFERENCE

NOTES 1. INTERFACE DIMENSIONS CONFORM TO USB2.0 STANDARDS.
 2. ALL 9 LEADS(5 PINS + 4 METAL FITTINGS)SMT AND CO-PLANARITY SHALL BE AS FOLLOWS.

SMT AGAINST DATUM	CO-PLANARITY
0±0.075	WITHIN 0.1

3. PER REEL:900 PIECES.

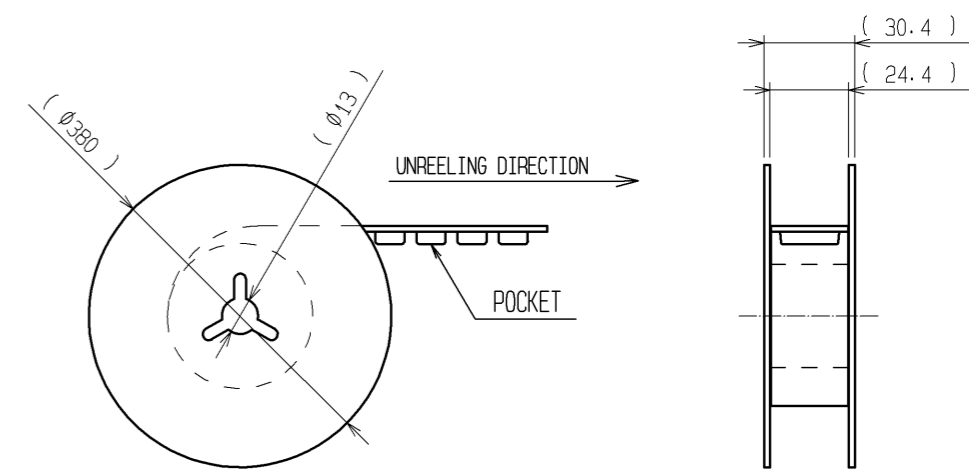
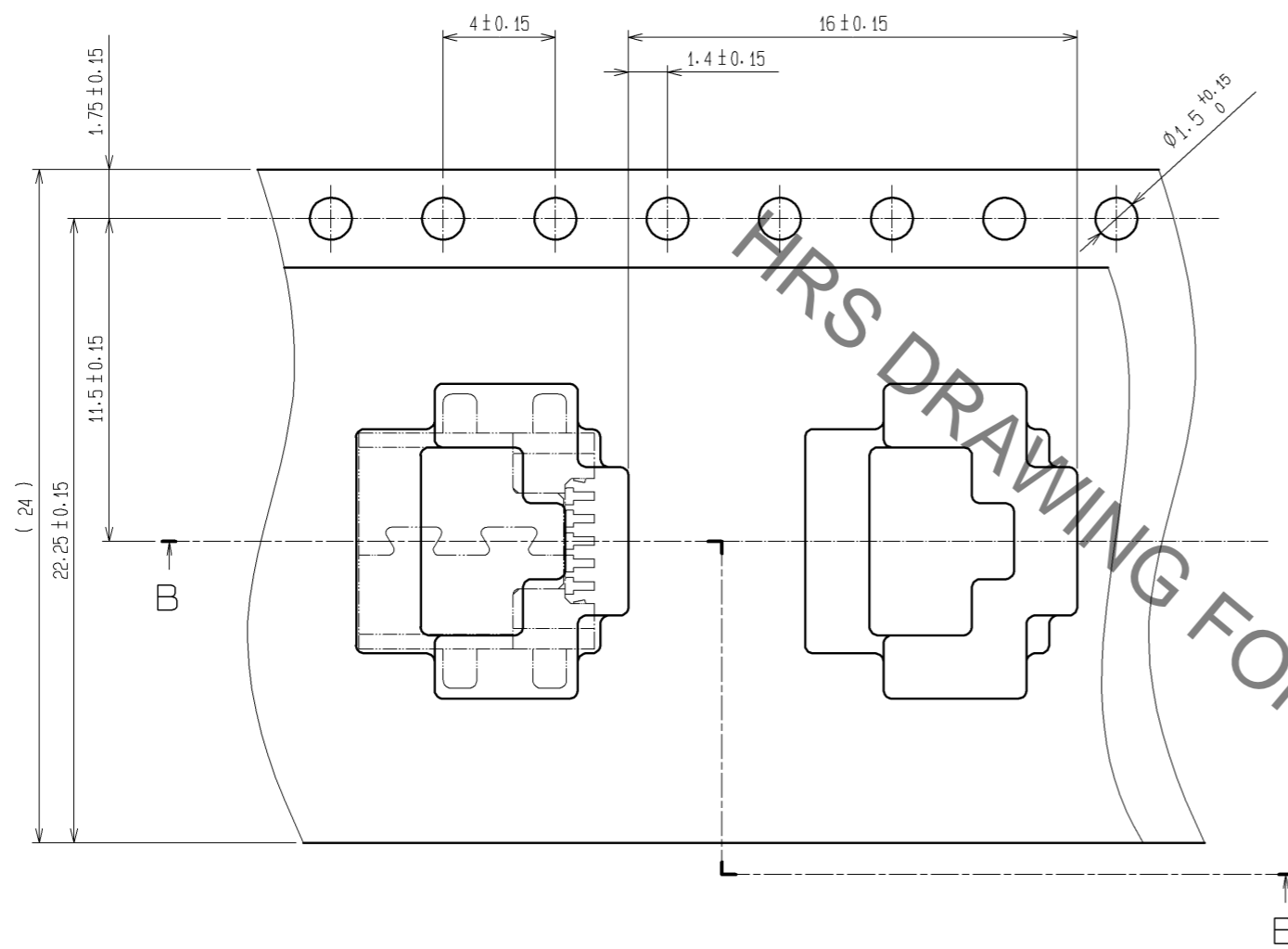
2	BRASS	NICKEL PLATED 1 #M + TIN PLATED 2 #M	1				
1	POLYAMIDE	BLACK UL94V-0	3				
NO.	MATERIAL	FINISH, REMARKS	NO.	MATERIAL	FINISH, REMARKS		
5	PE		5	PE			
4	PS		4	PS			
3	PHOSPHOR BRONZE	CONTACT AREA:NICKEL PLATED 1.25 #M + GOLD PLATED 0.75 #M MOUNTING AREA:NICKEL PLATED 1.25 #M + TIN-COPPER PLATED 1 #M OTHERS AREA:NICKEL PLATED 1.25 #M	3	PHOSPHOR BRONZE			
UNITS mm		SCALE 5 : 1	COUNT 3	DESCRIPTION OF REVISIONS DIS-E-003848	DESIGNED TA. TORIHARA	CHECKED RI. TAKAYASU	DATE 11.07.15
HIROSE ELECTRIC CO., LTD.		APPROVED : A0. SUZUKI	05.01.05	DRAWING NO. EDC3-124218-00			
		CHECKED : MR. NAKAMURA	05.01.05	PART NO. UX60RA-MB-5ST			
		DESIGNED : HK. TANAKA	05.01.05	CODE NO. CL240-0007-5-00			
		DRAWN : HK. TANAKA	05.01.05				

Jun.1.2019 Copyright 2019 HIROSE ELECTRIC CO., LTD. All Rights Reserved.
In case of consideration for using Automotive equipment / device which demand high reliability, kindly contact our sales window correspondents.

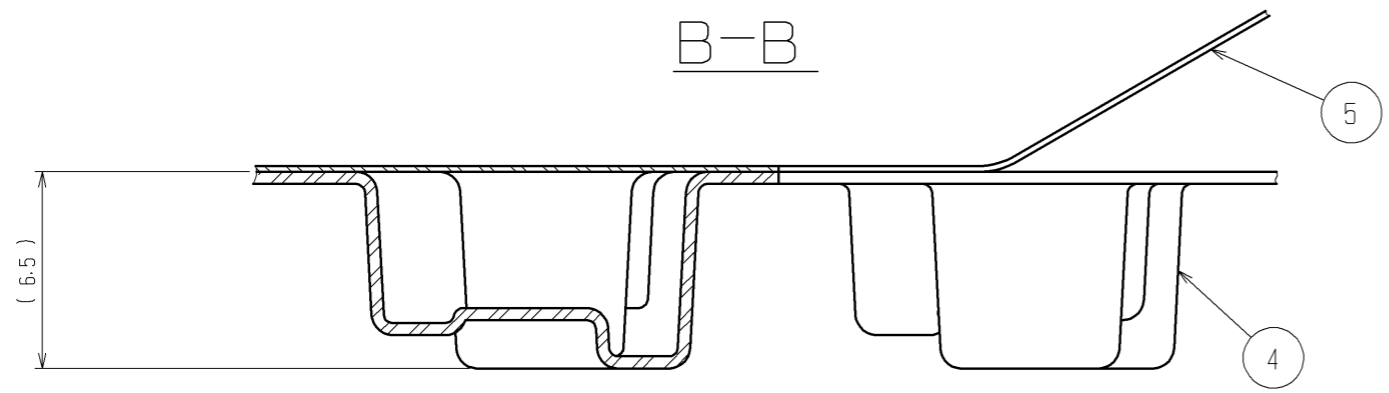
△ DRAWING FOR PACKING

UNREELING DIRECTION →

PACKAGING CONDITION(FREE)



B-B



HRS	DRAWING NO.	EDC3-124218-00
	PART NO.	UX60RA-MB-5ST
	CODE NO.	CL240-0007-5-00
		△ 2/2

X-ON Electronics

Largest Supplier of Electrical and Electronic Components

Click to view similar products for [USB Connectors](#) category:

Click to view products by [Hirose](#) manufacturer:

Other Similar products are found below :

[65-647-8-BK-BU](#) [950](#) [E8144-B01021-L](#) [A-USB A-LP-SMT-C](#) [A-USB B-TOP-C](#) [MUSBA511N5](#) [MUSBD11135](#) [217450-1](#) [CA 6 W LD](#)
[KMBVX-TH-5S-B30](#) [896-30-004-00-000000](#) [KUSBVX-BS1N-W30](#) [KUSBX-AP-KIT-SCBLK](#) [KUSBX-AS2N-W](#) [KUSBX-SMT2AP1S-W](#)
[KUSBX-SMT2AP1S-W30](#) [935](#) [957](#) [30-498-6](#) [17-210051](#) [1734082-1](#) [30-1574](#) [30-470](#) [30-489](#) [30-541](#) [30-572-3](#) [MAB 8 SN V](#) [A-USB A-](#)
[2P-C](#) [MIKROE-1451](#) [USBFTV2PEM2G](#) [USBFTVC6ZN](#) [KUSBX-AS2N-W30](#) [KUSBX-SLAS1N-W](#) [KUSBX-SMT-AS1N-W30](#) [4689-1](#) [1-](#)
[1734084-2](#) [E8110-001-01](#) [MUSBA81130](#) [33UBARS1-04SW11](#) [33UBAR-04SW11](#) [USBF21ZNSCC](#) [USBBFTV6ZC](#) [10135326-001LF](#)
[M9177/3-1](#) [USB-A-S-F-B-VT](#) [925](#) [4198](#) [690-024-633-031](#) [KUSBEX-BSFS1N-W](#) [USBFTVC6MRG](#)