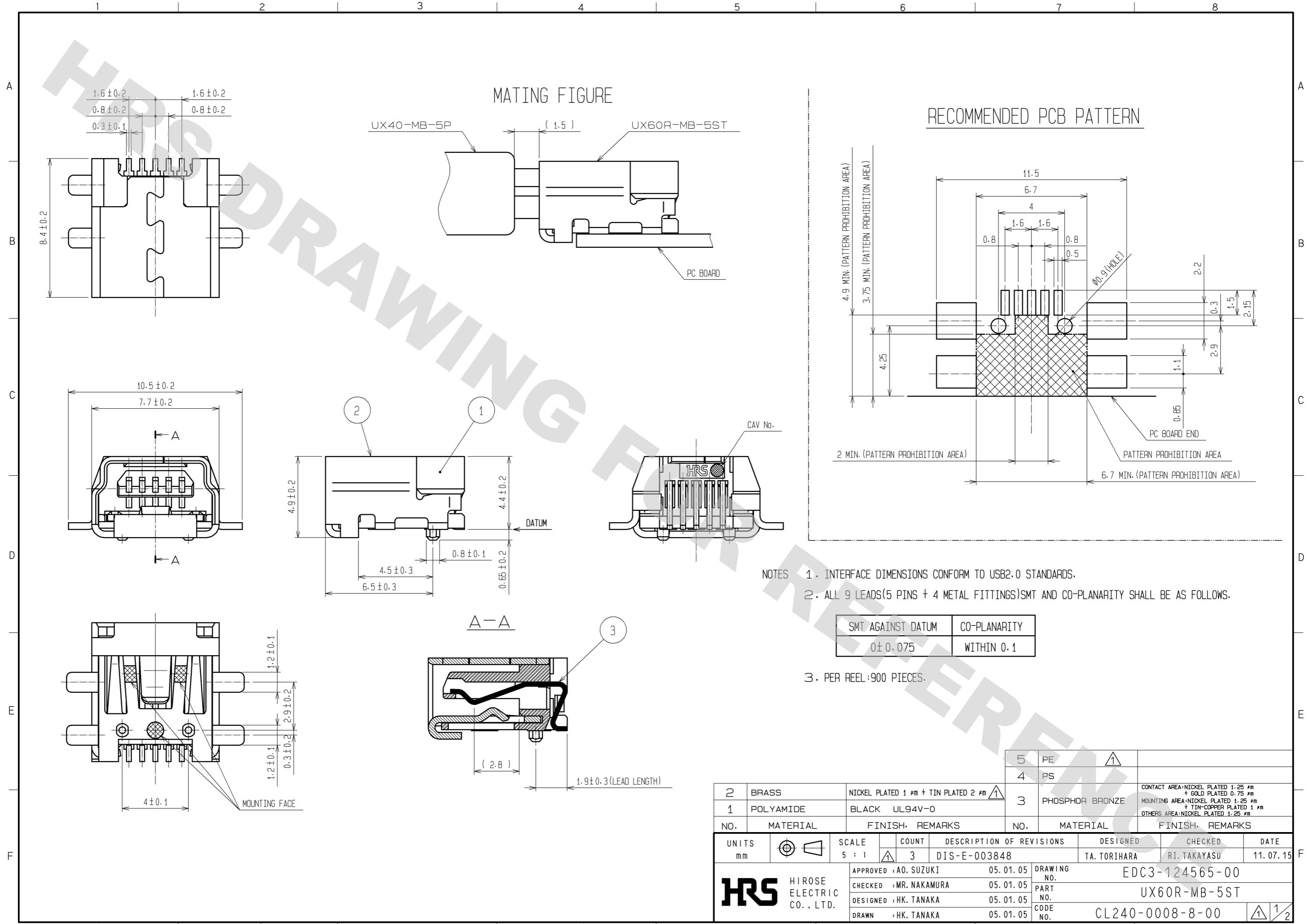


DRAWING FOR REFERENCE: This is subject to change without notice  
08/11/2012



- NOTES
1. INTERFACE DIMENSIONS CONFORM TO USB2.0 STANDARDS.
  2. ALL 9 LEADS(5 PINS + 4 METAL FITTINGS)SMT AND CO-PLANARITY SHALL BE AS FOLLOWS.
  3. PER REEL:900 PIECES.

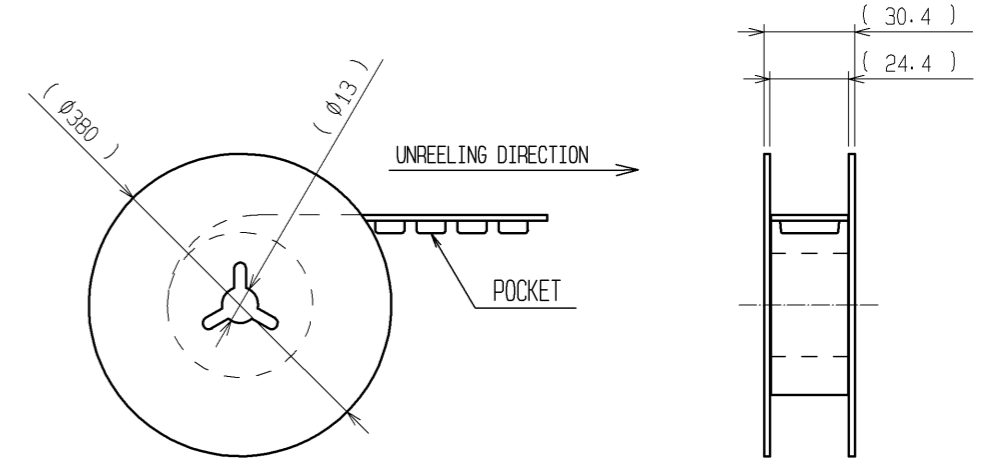
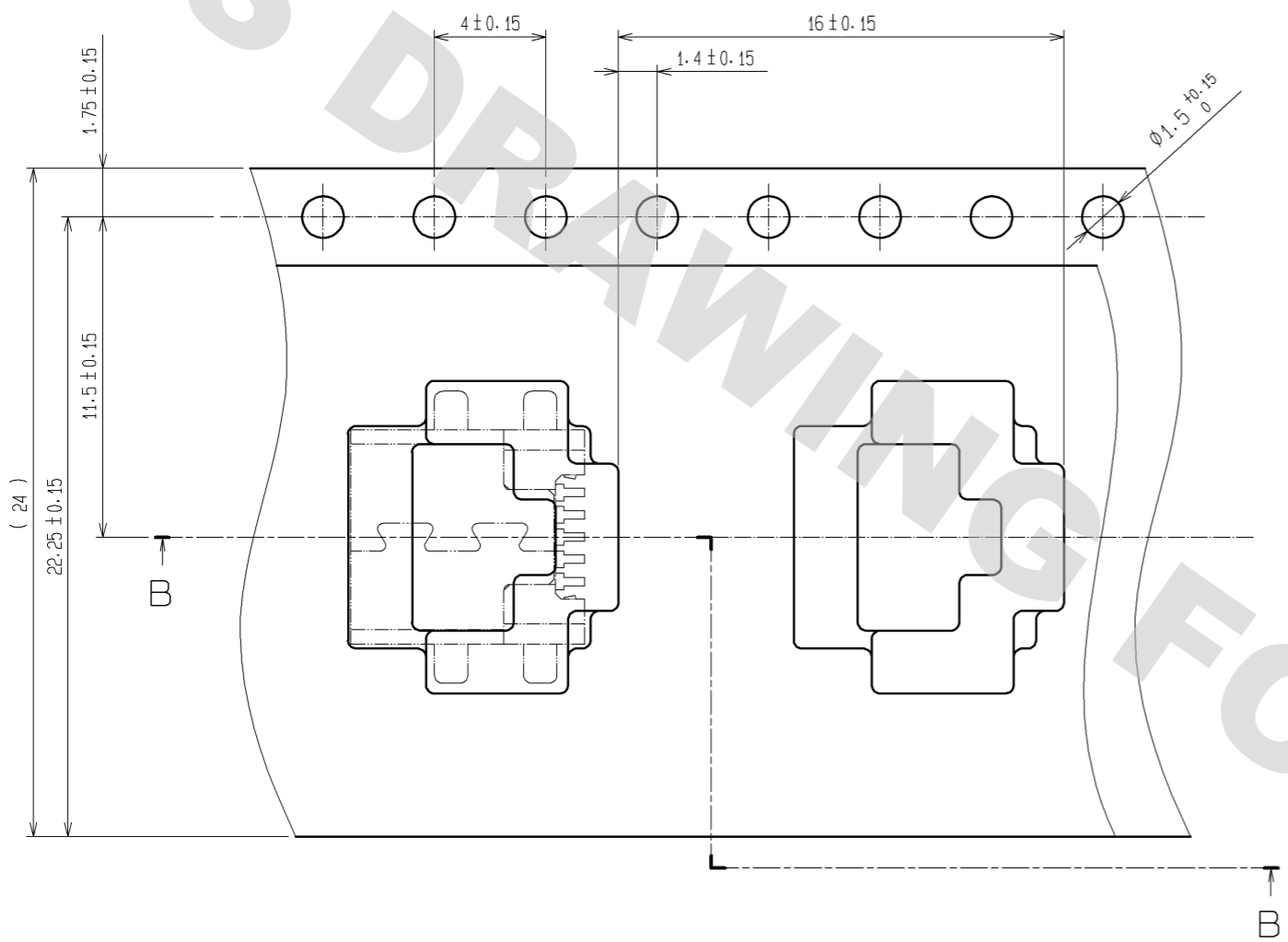
SMT AGAINST DATUM	CO-PLANARITY
0±0.075	WITHIN 0.1

2	BRASS	NICKEL PLATED 1 μm + TIN PLATED 2 μm	5	PE	△		
1	POLYAMIDE	BLACK UL94V-0	4	PS			
			3	PHOSPHOR BRONZE	CONTACT AREA: NICKEL PLATED 1.25 μm + GOLD PLATED 0.75 μm MOUNTING AREA: NICKEL PLATED 1.25 μm + TIN-COPPER PLATED 1 μm OTHERS AREA: NICKEL PLATED 1.25 μm		
NO.	MATERIAL	FINISH, REMARKS	NO.	MATERIAL	FINISH, REMARKS		
UNITS mm	⊙	SCALE 5 : 1	COUNT 3	DESCRIPTION OF REVISIONS DIS-E-003848	DESIGNED TA. TORIHARA	CHECKED RI. TAKAYASU	DATE 11.07.15
APPROVED : A0. SUZUKI		05.01.05		DRAWING NO. EDC3-124565-00			
CHECKED : MR. NAKAMURA		05.01.05		PART NO. UX60R-MB-5ST			
DESIGNED : HK. TANAKA		05.01.05		CODE NO. CL240-0008-8-00			
DRAWN : HK. TANAKA		05.01.05					
HRS HIROSE ELECTRIC CO., LTD.				1/2			

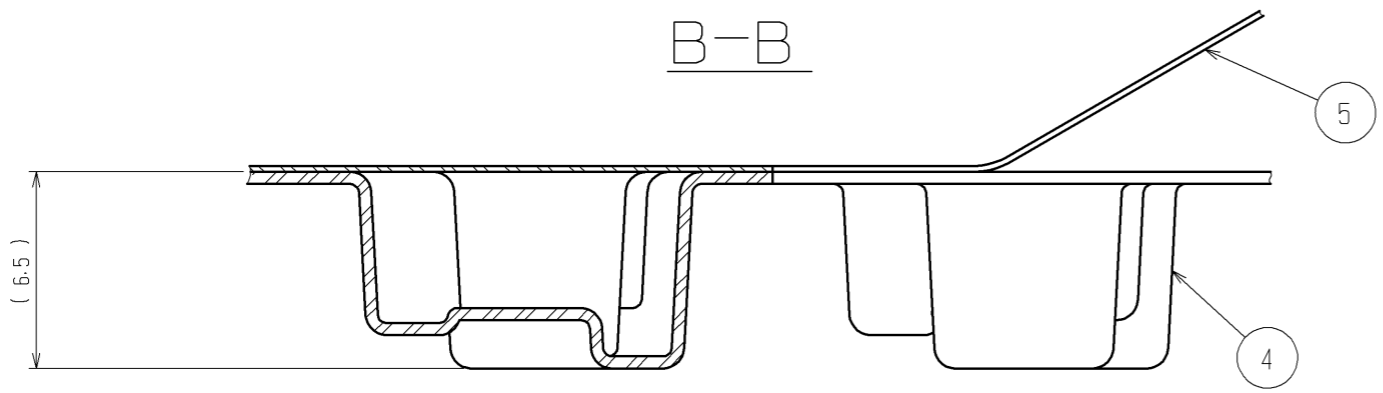
△ DRAWING FOR PACKING

UNREELING DIRECTION →

PACKAGING CONDITION(FREE)



B-B



<b>HRS</b>	DRAWING NO.	EDC3-124565-00	2/2
	PART NO.	UX60R-MB-5ST	
	CODE NO.	CL240-0008-8-00	

DRAWING FOR REFERENCE: This is subject to change without notice  
08/11/2012

## X-ON Electronics

Largest Supplier of Electrical and Electronic Components

*Click to view similar products for [USB Connectors](#) category:*

*Click to view products by [Hirose](#) manufacturer:*

Other Similar products are found below :

[65-647-8-BK-BU](#) [950](#) [E8144-B01021-L](#) [A-USB A-LP-SMT-C](#) [A-USB B-TOP-C](#) [MUSBA511N5](#) [MUSBD11135](#) [217450-1](#) [CA 6 W LD](#)  
[KMBVX-TH-5S-B30](#) [896-30-004-00-000000](#) [KUSBVX-BS1N-W30](#) [KUSBX-AP-KIT-SCBLK](#) [KUSBX-AS2N-W](#) [KUSBX-SMT2AP1S-W](#)  
[KUSBX-SMT2AP1S-W30](#) [935](#) [957](#) [30-498-6](#) [17-210051](#) [1734082-1](#) [30-1574](#) [30-470](#) [30-489](#) [30-541](#) [30-572-3](#) [MAB 8 SN V](#) [A-USB A-](#)  
[2P-C](#) [MIKROE-1451](#) [USBFTV2PEM2G](#) [USBFTVC6ZN](#) [KUSBX-AS2N-W30](#) [KUSBX-SLAS1N-W](#) [KUSBX-SMT-AS1N-W30](#) [4689-1](#) [1-](#)  
[1734084-2](#) [E8110-001-01](#) [MUSBA81130](#) [33UBARS1-04SW11](#) [33UBAR-04SW11](#) [USBF21ZNSCC](#) [USBBFTV6ZC](#) [10135326-001LF](#)  
[M9177/3-1](#) [USB-A-S-F-B-VT](#) [925](#) [4198](#) [690-024-633-031](#) [KUSBEX-BSFS1N-W](#) [USBFTVC6MRG](#)