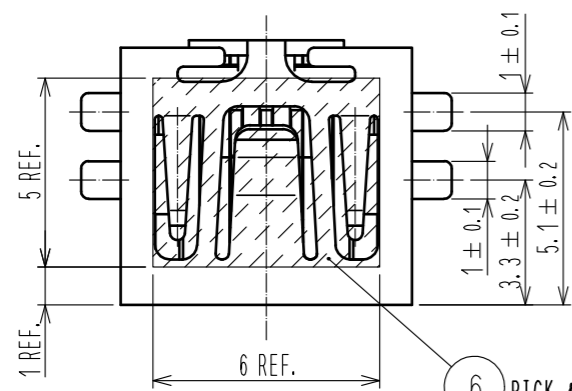
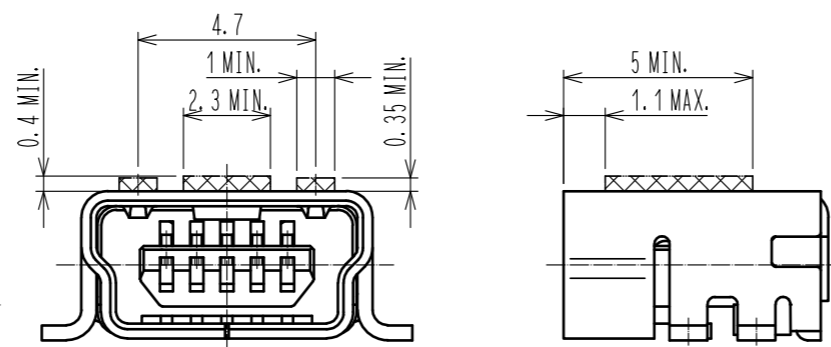


Jul.1.2022 Copyright 2022 HIROSE ELECTRIC CO., LTD. All Rights Reserved.
 In case of consideration for using Automotive equipment / device which demand high reliability, kindly contact our sales window correspondents.

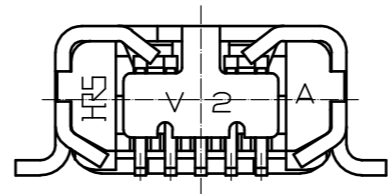
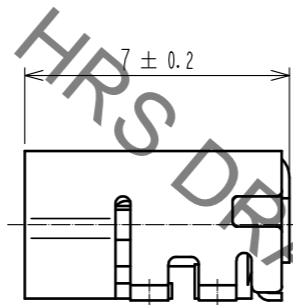
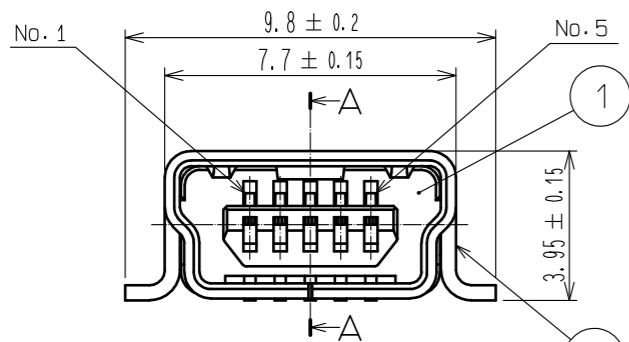
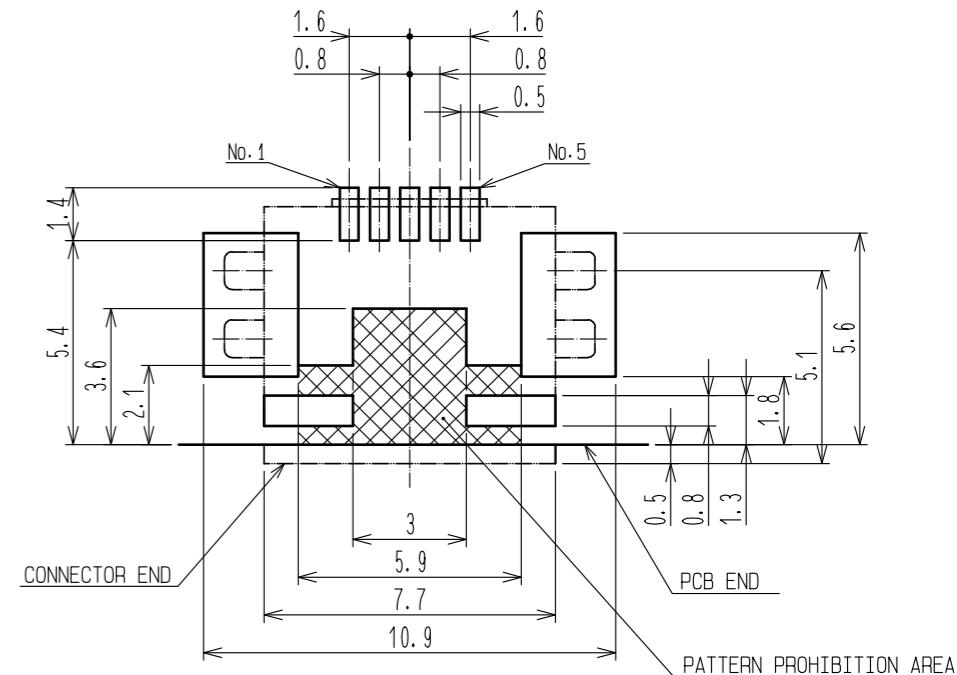


6 PICK & PLACE TAPE

RECOMMENDED CLEARANCE AREA

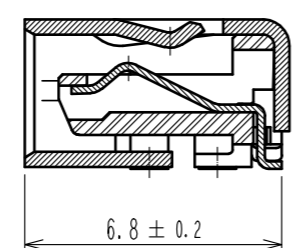


RECOMMENDED PCB AREA
(CONNECTOR MOUNTING FACE)



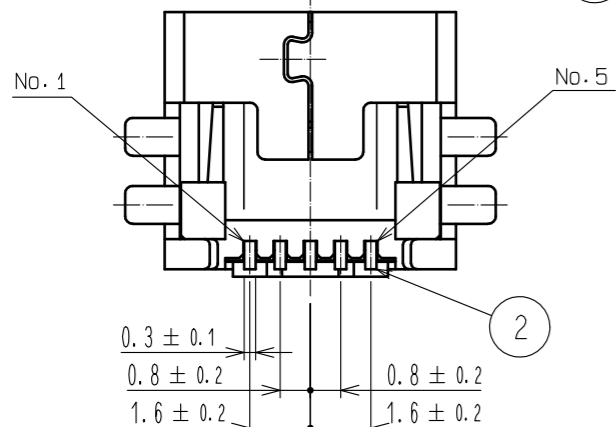
MATING FIGURE

A-A

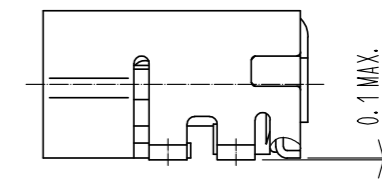
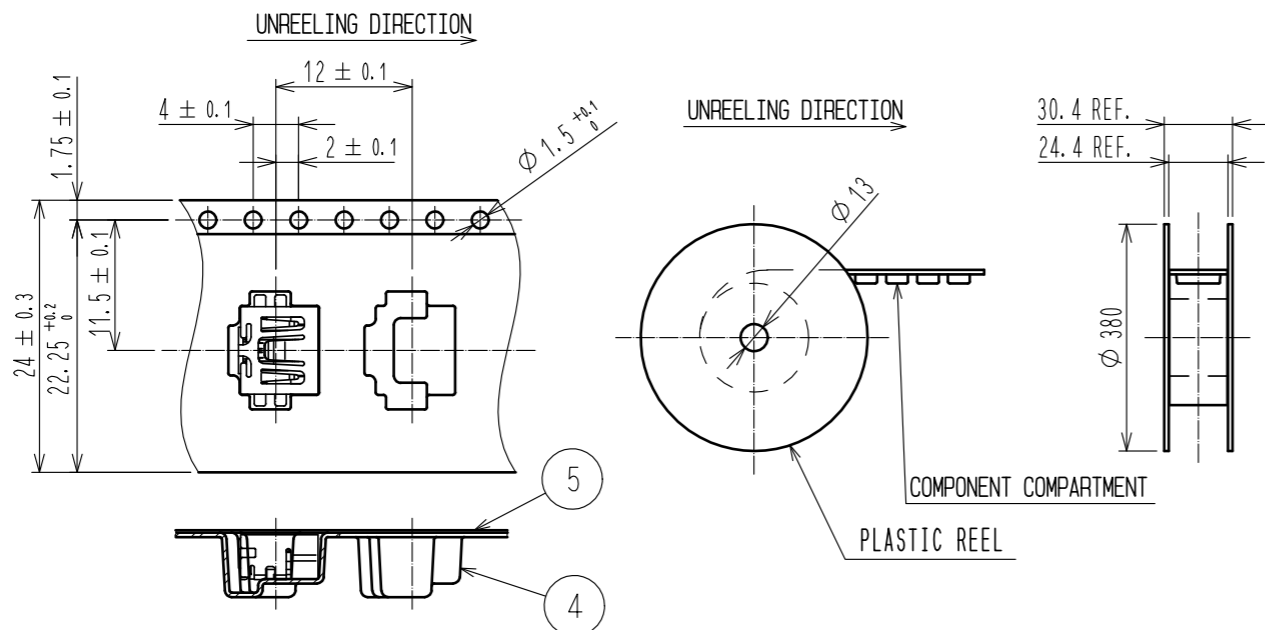


UX40-MB-5P

- NOTE 1. INTERFACE DIMENSIONS CONFORM TO USB2.0 STANDARDS.
- 2. PER REEL : 1500 PIECES.
- 3. CONTACT & METAL SHELL IS CO-PLANARITY TO BE 0.1mm MAX.



DRAWING FOR PACKAGING(FREE)



2	COPPER ALLOY	CONTACT AREA : GOLD 0.75 μm MIN. LEAD AREA : GOLD 0.03 μm MIN. UNDER PLATING : NICKEL 1.25 μm MIN.	6	PA	(PICK & PLACE TAPE)		
1	LCP	BLACK UL94V-0	5	PE	(TOP COVER TAPE)		
			4	PS	(EMBOSSED CARRIER TAPE)		
			3	COPPER ALLOY	SURFACE PLATING : TIN 1 μm MIN. UNDER PLATING : NICKEL 1 μm MIN.		
NO.	MATERIAL	FINISH . REMARKS	NO.	MATERIAL	FINISH . REMARKS		
UNITS	mm	SCALE 5 : 1	COUNT	DESCRIPTION OF REVISIONS	DESIGNED	CHECKED	DATE
HIROSE ELECTRIC CO., LTD.		APPROVED : NM. NISHIMATSU 15.05.18	DRAWING NO. EDC-125646-84-00				
		CHECKED : NM. NISHIMATSU 15.05.18	PART NO. UX60SC-MB-5ST(84)				
		DESIGNED : MO. SHIMOYAMA 15.05.18	CODE NO. CL240-0016-6-84				
		DRAWN : MO. SHIMOYAMA 15.05.18	1/1				

X-ON Electronics

Largest Supplier of Electrical and Electronic Components

Click to view similar products for [USB Connectors](#) category:

Click to view products by [Hirose](#) manufacturer:

Other Similar products are found below :

[950](#) [A-USB A-LP-SMT-C](#) [A-USB B-TOP-C](#) [MUSBD11135](#) [17-200721](#) [217450-1](#) [KMBVX-TH-5S-B30](#) [896-30-004-00-000000](#) [KUSBX-AS2N-W](#) [KUSBX-SMT2AP1S-W30](#) [935](#) [957](#) [30-498-6](#) [SK-60A-2](#) [1734082-1](#) [30-470](#) [30-489](#) [30-541](#) [MAB 5 S](#) [A-USB A-2P-C](#) [MIKROE-1451](#) [USBFTVSCCG](#) [4689-1](#) [1-1734084-2](#) [NK-27-32SL](#) [NK-L8-22C-5/8](#) [10135326-001LF](#) [4198](#) [690-024-633-031](#) [UB-20PMFP-LC7001](#) [17-200011](#) [UB-20AFMM-LL7A01](#) [CAP-WCCMLPB1](#) [CAP-WCCMLPC1](#) [2274475-3](#) [914-614A2025S10200](#) [USB3FTV7SAGF059](#) [GSB3116344HR](#) [GSB22121WCEU](#) [USB3FTV2SAZNF459](#) [USB3FTV7SAZNF459](#) [HYCW153-USBD05-500B](#) [HYCW149-USBD05-740B](#) [HYCW214-USBA04-113B](#) [HYCW213-USBA04-113B](#) [KMMX-BSMT35S-1-B30TR](#) [00201-UCAF002-X](#) [00302-UCAF001-X](#) [00302-UCAF005-A](#) [00302-UCAF007-B](#)