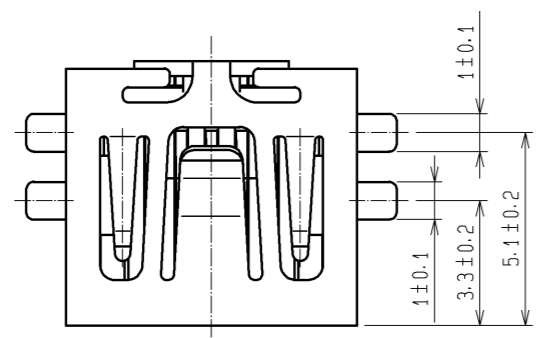
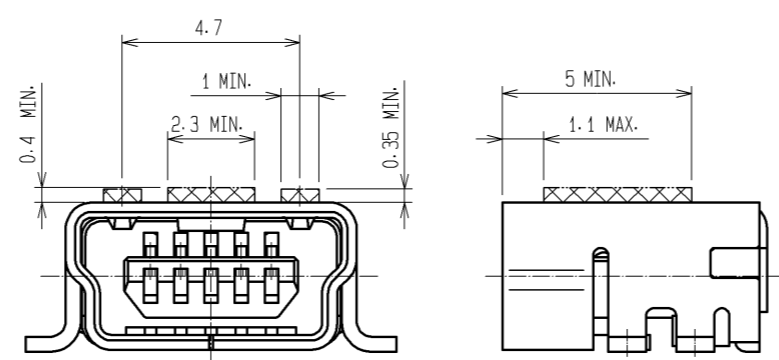


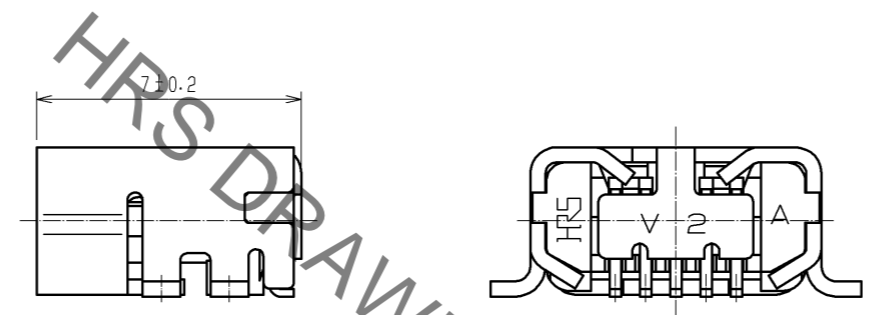
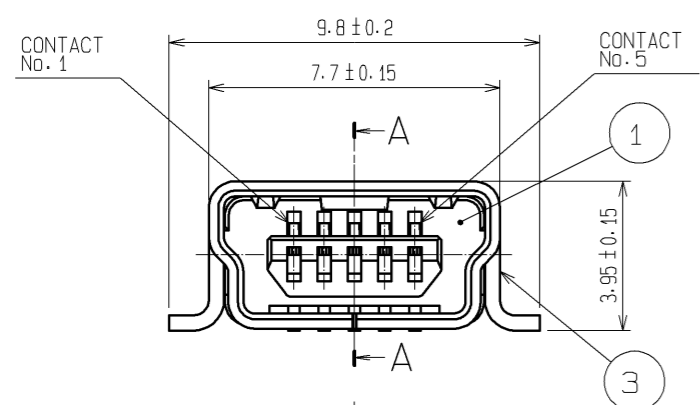
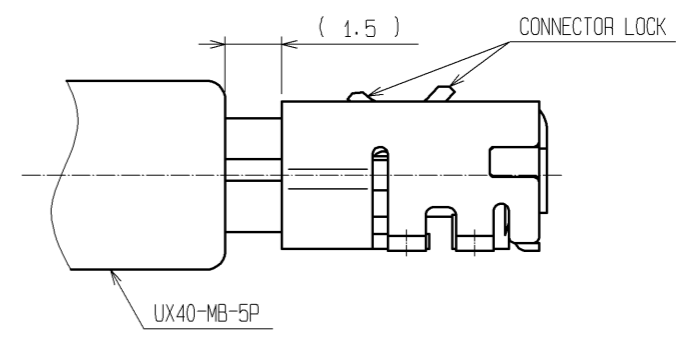
Sep.1.2021 Copyright 2021 HIROSE ELECTRIC CO., LTD. All Rights Reserved.  
In case of consideration for using Automotive equipment / device which demand high reliability, kindly contact our sales window correspondents.



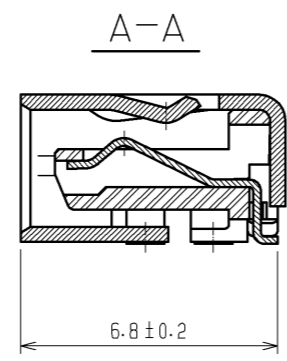
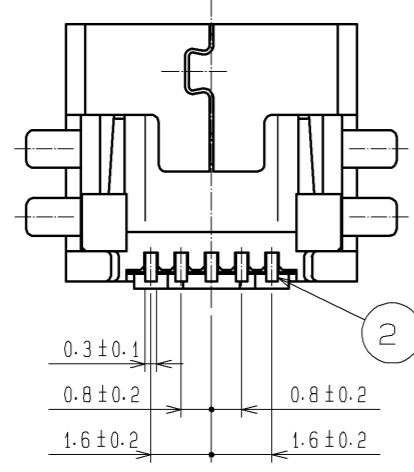
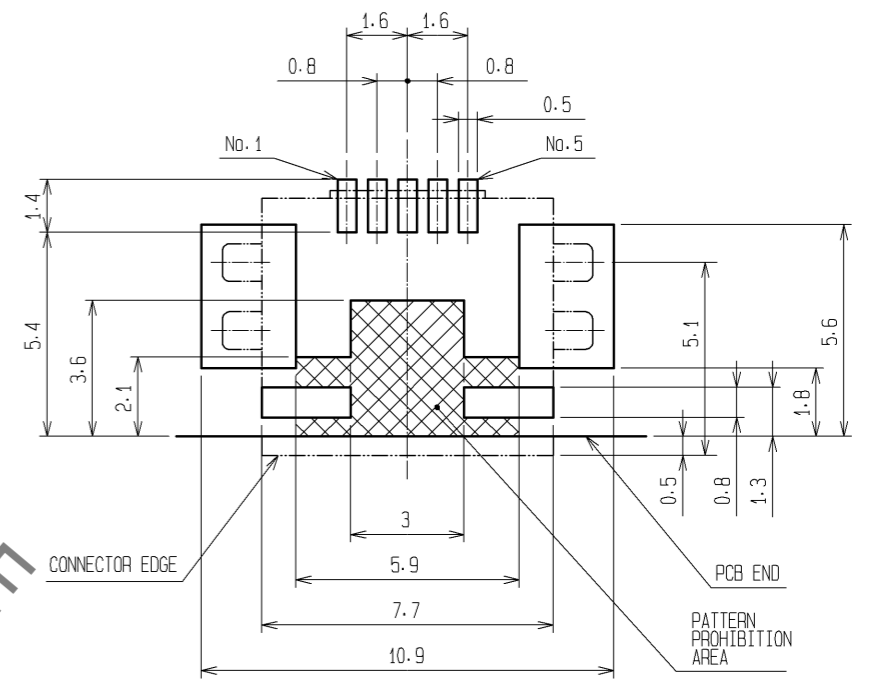
REFERENCE CONNECTOR LOCK CLEARANCE AREA



MATING FIGURE

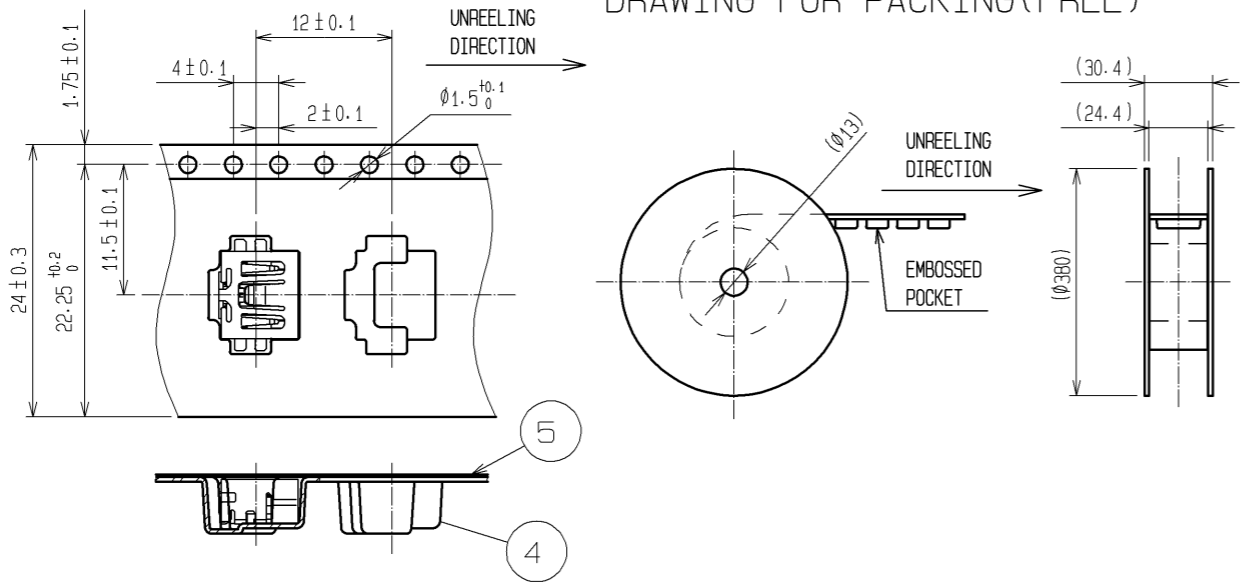


REFERENCE PCB AREA  
(CONNECTOR MOUNTING FACE)



- NOTES.
1. INTERFACE DIMENSIONS CONFORM TO USB2.0 STANDARDS.
  2. 1500 PCS PER REEL.
  3. CONTACTS AND METAL SHELL ARE CO-PLANARITY TO BE 0.1 MAX.

DRAWING FOR PACKING(FREE)



NO.	MATERIAL	FINISH . REMARKS	NO.	MATERIAL	FINISH . REMARKS
2	COPPER ALLOY	CONTACT AREA : GOLD 0.75 μm MIN. LEED AREA : GOLD 0.03 μm MIN. UNDER PLATING : NICKEL 1.25 μm MIN.	5	PE	(TOP COVER TAPE)
			4	PS	(EMBOSSED CARRIER TAPE)
1	LCP	UL94V-0 COLOR : BLACK	3	COPPER ALLOY	SURFACE PLATING : TIN 1 μm MIN. UNDER PLATING : NICKEL 1 μm MIN.

UNITS	SCALE	COUNT	DESCRIPTION OF REVISIONS	DESIGNED	CHECKED	DATE
mm	5 : 1	△				

APPROVED :	NF. MIYAZAKI	09.02.25	DRAWING NO.	EDC3-125646-05
CHECED :	NF. MIYAZAKI	09.02.25	PART NO.	UX60SC-MB-5ST(85)
DESIGNED :	HS. KIKUCHI	09.02.25	CODE NO.	CL240-0016-6-85
DRAWN :	HS. KIKUCHI	09.02.25		

## X-ON Electronics

Largest Supplier of Electrical and Electronic Components

*Click to view similar products for [USB Connectors](#) category:*

*Click to view products by [Hirose](#) manufacturer:*

Other Similar products are found below :

[65-647-8-BK-BU](#) [950](#) [E8144-B01021-L](#) [A-USB A-LP-SMT-C](#) [A-USB B-TOP-C](#) [MUSBA511N5](#) [MUSBD11135](#) [217450-1](#) [CA 6 W LD](#)  
[KMBVX-TH-5S-B30](#) [896-30-004-00-000000](#) [KUSBVX-BS1N-W30](#) [KUSBX-AP-KIT-SCBLK](#) [KUSBX-AS2N-W](#) [KUSBX-SMT2AP1S-W](#)  
[KUSBX-SMT2AP1S-W30](#) [935](#) [957](#) [30-498-6](#) [17-210051](#) [1734082-1](#) [30-1574](#) [30-470](#) [30-489](#) [30-541](#) [30-572-3](#) [MAB 8 SN V](#) [A-USB A-](#)  
[2P-C](#) [MIKROE-1451](#) [USBFTV2PEM2G](#) [USBFTVC6ZN](#) [KUSBX-AS2N-W30](#) [KUSBX-SLAS1N-W](#) [KUSBX-SMT-AS1N-W30](#) [4689-1](#) [1-](#)  
[1734084-2](#) [E8110-001-01](#) [MUSBA81130](#) [33UBARS1-04SW11](#) [33UBAR-04SW11](#) [USBF21ZNSCC](#) [USBBFTV6ZC](#) [10135326-001LF](#)  
[M9177/3-1](#) [USB-A-S-F-B-VT](#) [925](#) [4198](#) [690-024-633-031](#) [KUSBEX-BSFS1N-W](#) [USBFTVC6MRG](#)