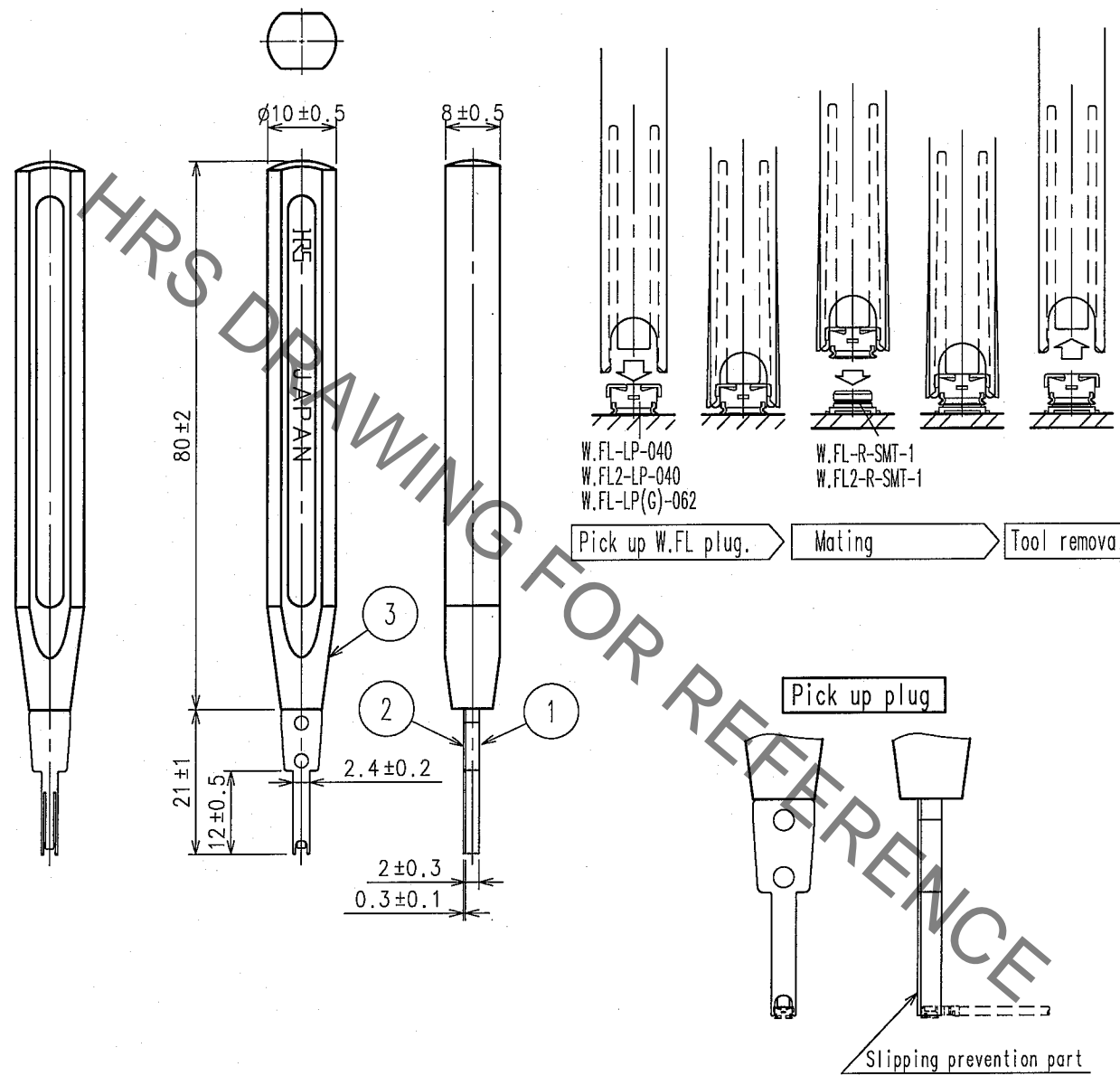


Sep.1.2021 Copyright 2021 HIROSE ELECTRIC CO., LTD. All Rights Reserved.  
In case of consideration for using Automotive equipment / device which demand high reliability, kindly contact our sales window correspondents.

1					2					3					4				
COUNT	DESCRIPTION OF REVISIONS				BY	CHKD	DATE	COUNT	DESCRIPTION OF REVISIONS				BY	CHKD	DATE				
△								△											
△								△											
△								△											

NOTE1. This tool is for mating W.FL SERIES plug into receptacle. See below for how to use.  
 2. When mating, connector must be aligned. When go down straightly at lower level, connector pair is aligned and then push the plug with straight. Please don't do shallow-insertion.



2	STEEL	NICKEL PLATING	3	POLYAMIDE	RED
1	STEEL	NICKEL PLATING			
NO.	MATERIAL.	FINISH,REMARKS	NO.	MATERIAL.	FINISH,REMARKS
CODE NO. (OLD)			DRAWN	DESIGNED	CHECKED
			<i>n. Ninomiya</i>	<i>n. Ninomiya</i>	<i>H. Shimizu</i>
			05.09.05	05.09.05	05.09.07
					<i>J. Mitani</i>
					05.09.07
DRAWING NO.			PART NO.		
EDC4-310627			W.FL-LP-IN		
SCALE			CODE NO.		
FREE			CL331-0323-2		
UNITS			1		
mm					
<b>HRS</b>			HIROSE ELECTRIC CO.,LTD.		

TO
RF



## X-ON Electronics

Largest Supplier of Electrical and Electronic Components

*Click to view similar products for [Extraction, Removal & Insertion Tools](#) category:*

*Click to view products by [Hirose](#) manufacturer:*

Other Similar products are found below :

[M8196914-08](#) [768211-2](#) [809-131](#) [844751-2](#) [8-59558-2](#) [91018-1](#) [12014013](#) [12093647](#) [1-21048-0](#) [R282867020](#) [12093078](#) [12180559](#) [1-21048-6](#) [12121897](#) [DCF.91.405.5LT](#) [1322](#) [13549852](#) [15314260](#) [15313892](#) [15350698](#) [15350707](#) [15430130](#) [1643916-1](#) [1-679532-0](#) [1976593-3](#) [OUTEXT-0321](#) [2-1579008-3](#) [2-1579008-4](#) [229694-7](#) [231106-1](#) [241469](#) [91040-3](#) [91040-7](#) [965004-000](#) [965069-000](#) [1738219-1](#) [ET-JL05-16](#) [FG 0300 146 3000](#) [FIT-6](#) [210S048](#) [2-1579007-9](#) [231879-1](#) [CF-008025-000](#) [312138-3](#) [RJ11FODE](#) [356-162](#) [M8196914-10](#) [4-1579018-0](#) [483249-1](#) [5-1579007-2](#)