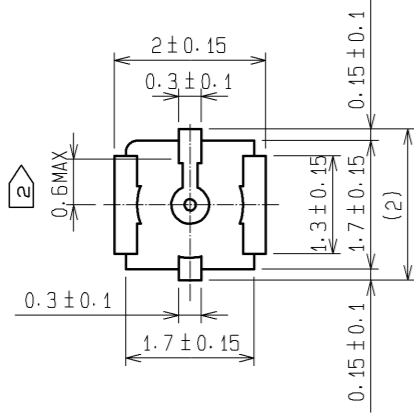
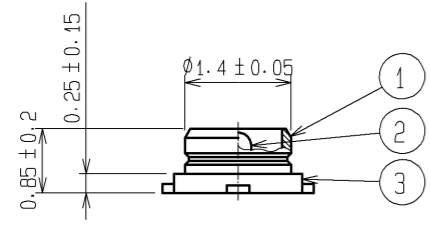
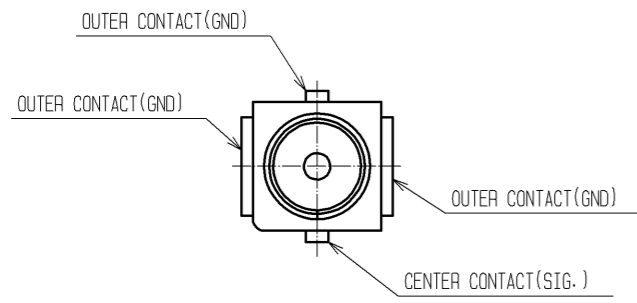
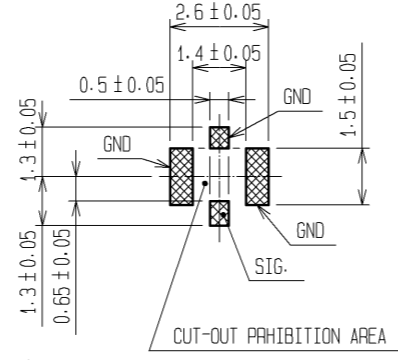


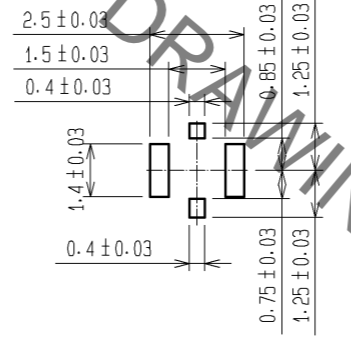
Sep.1.2021 Copyright 2021 HIROSE ELECTRIC CO., LTD. All Rights Reserved.
In case of consideration for using Automotive equipment / device which demand high reliability, kindly contact our sales window correspondents.



RECOMMENDED PC BOARD PATTERN DRAWING(5:1)

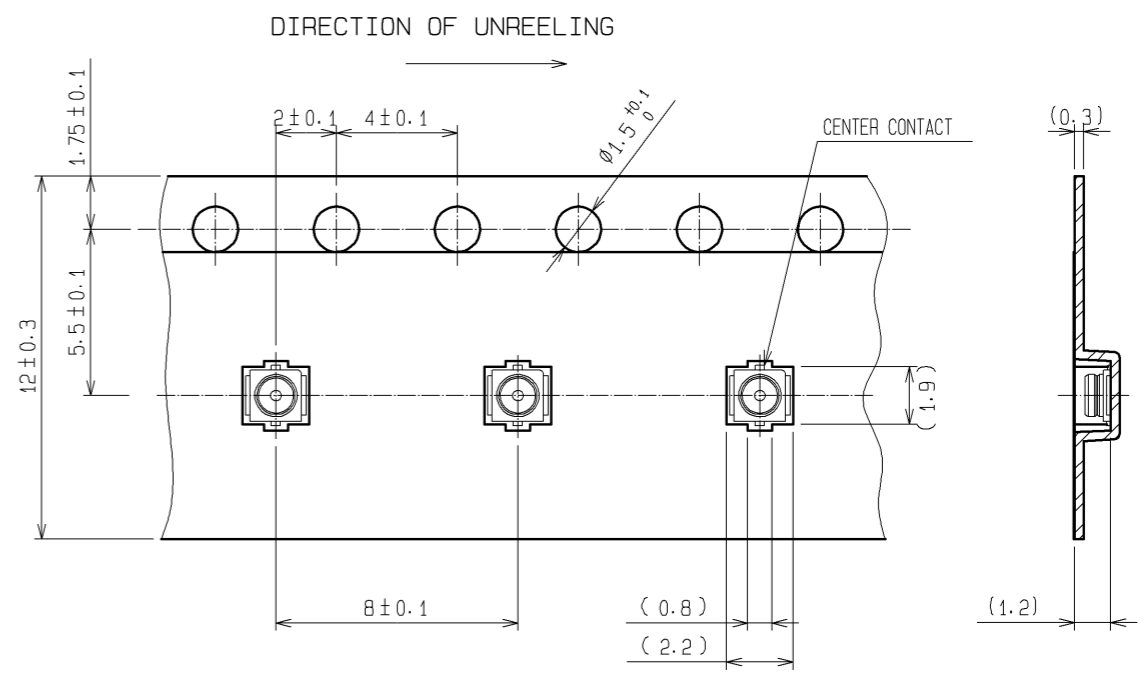


RECOMMENDED METAL MASK PATTERN DRAWING(5:1)

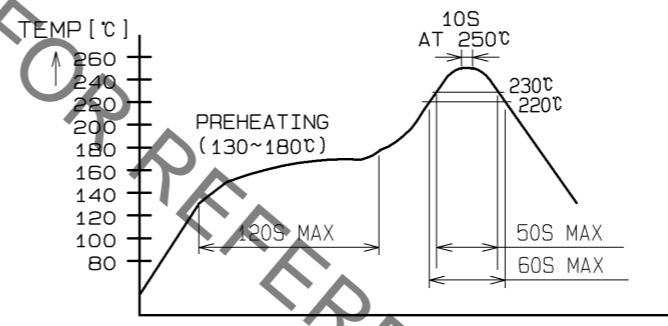


THICKNESS : 0.1mm / 0.12mm

EMBOSSED TAPING DRAWING(4:1)

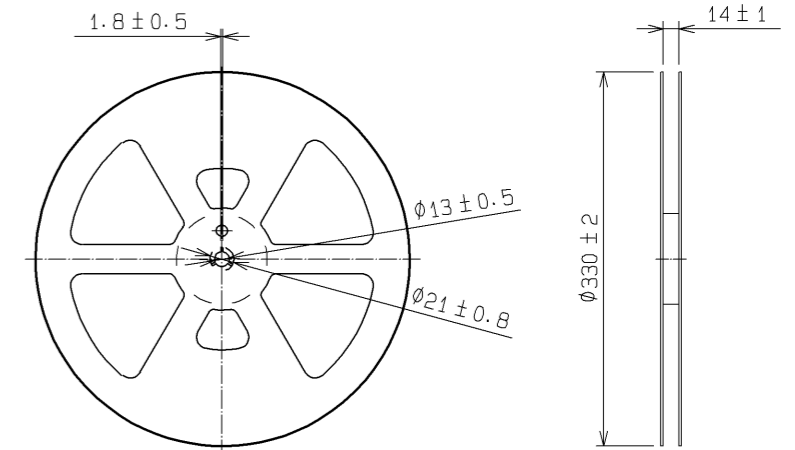


MOUNTING TEMPERATURE PROFILE (REFERENCE)



NOTE
MOUNTING TEMPERATURE PROFILE VARIES ACC TO BOARD SIZE, SOLDER TYPE APPLIED AND SOLDER THICKNESS.
·METAL MASK THICKNESS: 0.1mm / 0.12mm
·Up to 2cycles of Reflow.

REEL DRAWING(SCALE FREE)



MATERIAL : PS(BLACK)

NOTES :

- 1: THE QUANTITY OF W.FL-R-SMT-1(60) IS 5000 CONNECTORS PER REEL.
- 2: THIS DIMENSION SHOWS THE ALLOWABLE RANGE THAT THE RESIN IS PUT OVER THE CENTER CONTACT.
- 3: LEAD CO-PLANARITY SHALL BE 0.1MAX.
- 4: FOR THE POSSIBILITY OF BREAKAGE OR DEFORMATION DO NOT MATE THIS CONNECTOR WITH PARTNER, W.FL-LP-040 BEFORE MOUNTING ON PC BOARD.
- 5: USE ALL PRODUCTS WITHIN 6 MONTHS AFTER THE DELIVERY. STORE THEM IN MANUFACTURER'S PACKAGE OR TIGHTLY RE-CLOSED BOX WITH THE FOLLOWING CONDITIONS.CHECK THE TERMINAL SOLDERABILITY BEFORE USE IF THE PRODUCT HAS BEEN STORED FOR MORE THAN 6 MONTHS.
TEMPERATURE: -10°C TO +40°C
HUMIDITY : 15 TO 85% RH.
- 6: ENVIRONMENTAL CONDITIONS DO NOT USE THE PRODUCTS UNDER THE ENVIRONMENTAL CONDITIONS AS SHOWN BELOW DUE TO POSSIBLE PRODUCT DETERIORATION.
SPECIAL GAS ATMOSPHERE(HYDROGEN SULFIDE GAS, SULFUR SULFIDE GAS AND HYDROGEN CHLORIDE GAS)
PLACE ATTENTION REQUIRED:HEATING SYSTEM, AREA NEAR HOT SPRING, VOLCANIC MOUNTAIN AND ALIKE.
WATER SPLACHED AND CONDENSATION PLACES.
PLACE ATTENTION REQUIRED:HARSH TEMPERATURE CHANGE.

2	BRASS	UNDER PLATING:NICKEL 1.27µm MIN CONTACT AREA PLATING:GOLD 0.1µm MIN MOUNTING AREA PLATING:GOLD 0.03µm MIN	5000PCS/PLASTIC REEL				
1	PHOSPHOR BRONZE	UNDER PLATING:COPPER 0.01µm MIN CONTACT AREA PLATING:SILVER 2µm MIN MOUNTING AREA PLATING:SILVER 1µm MIN					
3	LCP	(BLACK). UL94V-0					
NO.	MATERIAL	FINISH . REMARKS	NO.	MATERIAL	FINISH . REMARKS		
UNITS	mm	SCALE 10:1	COUNT 1	DESCRIPTION OF REVISIONS	DESIGNED YI.FUNADA	CHECKED NK.NINOMIYA	DATE 12.06.07
APPROVED : MH.YAMANE		08.03.17	DRAWING NO.		EDC3-138509-60		
CHECKED : NK.NINOMIYA		08.03.17	PART NO.		W.FL-R-SMT-1(60)		
DESIGNED : TS.SAWAI		08.03.14	CODE NO.		CL331-0482-6-60		
DRAWN : TS.SAWAI		08.03.14					

X-ON Electronics

Largest Supplier of Electrical and Electronic Components

Click to view similar products for [RF Connectors / Coaxial Connectors](#) category:

Click to view products by [Hirose](#) manufacturer:

Other Similar products are found below :

[8915-1511-000](#) [89674-0827](#) [6001-7071-019](#) [6002-7051-003](#) [6002-7551-202](#) [6059674-1](#) [619550-1](#) [630059-000](#) [M39030/3-01N](#) [6500-7071-046](#) [6769](#) [CX050L2AQ](#) [7002-1542-011](#) [7004-1512-000](#) [7009-1511-004](#) [7010-1511-000](#) [7029-1511-060](#) [7101-1541-010](#) [7101-1571-002](#) [7105-1521-002](#) [7145-1521-002](#) [7203-1571-003](#) [7209-1511-011](#) [7210-1511-015](#) [7210-1511-019](#) [73137-5015](#) [73216-2241](#) [7325-1512-000](#) [73404-2300](#) [7405-1521-005](#) [7405-1521-802](#) [7406-1521-005](#) [8527](#) [8547](#) [FS11V](#) [8808-1511-001](#) [9049-9513-000](#) [9074-9513-000](#) [9101-9573-002](#) [910A205F](#) [9130-9573-002](#) [PL11SC-026](#) [PL375-33](#) [PL40-5](#) [PL71-9](#) [PL74C-221](#) [PL75MC-217](#) [PL803-7](#) [980-8666-005](#) [1200690078](#)