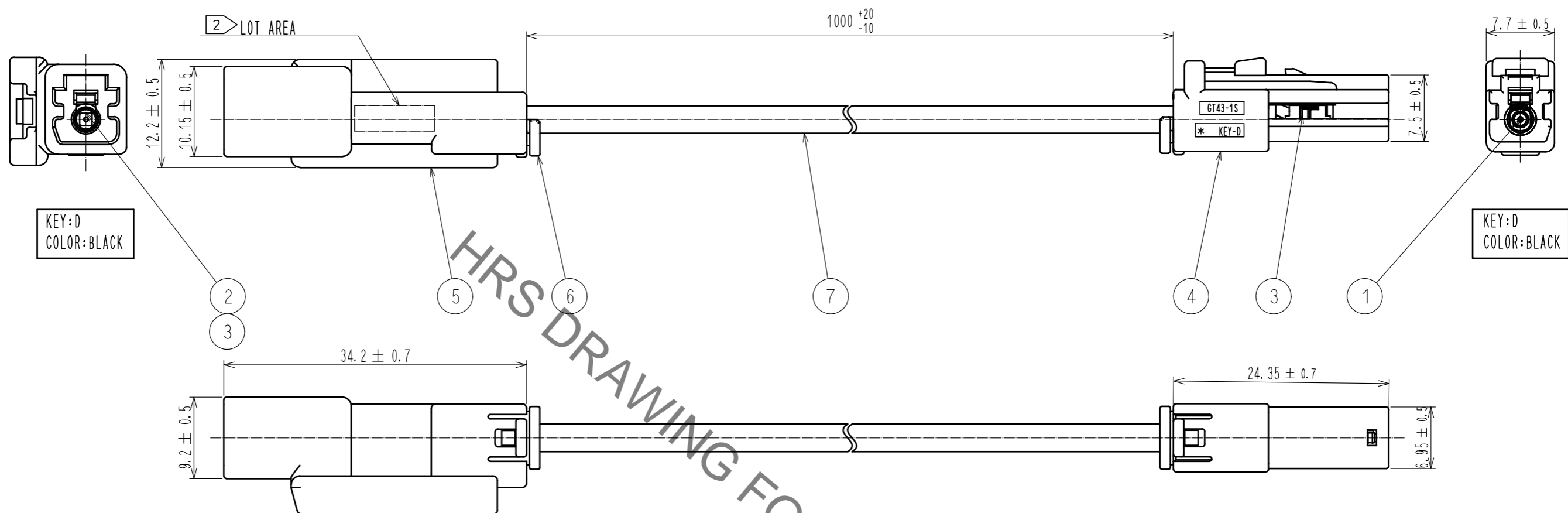


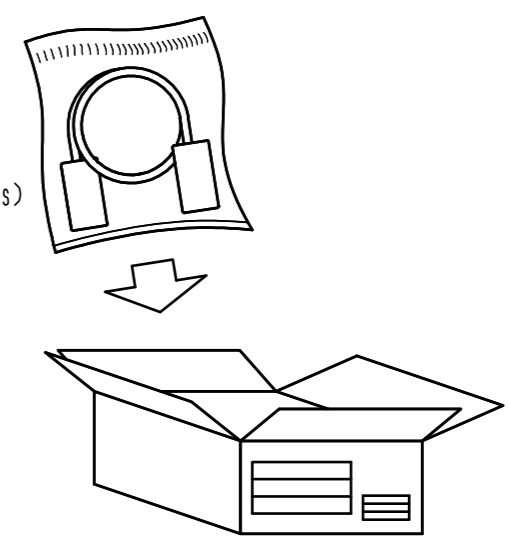
Jun.1.2022 Copyright 2022 HIROSE ELECTRIC CO., LTD. All Rights Reserved.
In case of consideration for using Automotive equipment / device which demand high reliability, kindly contact our sales window correspondents.

ELV, RoHS COMPLIANT



HRS DRAWING FOR REFERENCE

PE bag (6 bags)
(10 pieces of products)



- NOTE1. Packing method is as followings.
- (1) Pack harness products into PE bag. Maximum 10 pieces per bag.
Close the bag mouth with heat seal, cellophane tape etc.
 - (2) Pack the packed PE bag into cardboard.
Maximum 6 bags (Harness product maximum 60 pieces) per box.
Put cushioning material inside so that PE bag do not rattle inside the cardboard.
 - (3) Indicate the delivery destination name, part name, part number, quantity and lot number to the cardboard box.
- 2 Lot marking to the specified area.

| 4 | GT43-1S-HU(D) | CL0753-1010-0-00 | | | |
|--------------------------------------|----------------------|-------------------------|----------|------------------------------|--------------------------|
| 3 | GT43-1P/S-CSB | CL0753-1005-0-00 | 7 | CABLE | Shikoku Cable 1.5DS-QEHB |
| 2 | GT43-2428/1.6-2.9PCF | CL0753-1004-0-00 | 6 | GT43-1P/S-R | CL0753-1007-0-00 |
| 1 | GT43-2428/1.6-2.9SCF | CL0753-1003-0-00 | 5 | GT43-1PP-HU(D) | CL0753-1006-0-00 |
| NO. | MATERIAL | FINISH . REMARKS | NO. | MATERIAL | FINISH . REMARKS |
| UNITS mm | | SCALE FREE | | COUNT | DESCRIPTION OF REVISIONS |
| HRS HIROSE ELECTRIC CO., LTD. | | APPROVED : KI. HIROKAWA | 20210330 | DRAWING NO. EDC-395729-00-00 | |
| | | CHECKED : MO. OKADA | 20210330 | PART NO. WGT43GT43-1192 | |
| | | DESIGNED : KN. MIKAMI | 20210330 | CODE NO. CL0781-1192-0-00 | |
| | | DRAWN : HR. IWAI | 20210330 | | |

X-ON Electronics

Largest Supplier of Electrical and Electronic Components

Click to view similar products for [RF Cable Assemblies](#) category:

Click to view products by [Hirose](#) manufacturer:

Other Similar products are found below :

[73-6352-10](#) [73-6353-3](#) [73-6364-6](#) [R285001001](#) [R288940004](#) [145111-05-12.00](#) [1661-C-24](#) [1801171170914KE](#) [24P104C24J1-012](#)
[24P104C24P1-018](#) [24P204C24J1-003](#) [FCB-3030-ALT](#) [21117-046](#) [21117-050](#) [24P103C24P2-003](#) [PTWY-24-78](#) [R284008001](#) [R285001021](#)
[R288940003](#) [R288940034](#) [MDM-21PH006P-A174](#) [4814-BB-24](#) [5260-72](#) [DLP-COAX1](#) [4814-K-48](#) [115101-09-06.00](#) [MXHT83QE3000](#) [73-6351-25](#) [73-6352-3](#) [73-6353-25](#) [81-6201-1600](#) [GD0BQ0BQ024.0](#) [1-3636-600-5210](#) [R288940009](#) [R288940002](#) [PT82NSMA](#) [73-6353-10](#)
[Minibend-9](#) [Minibend-4](#) [BNC TO SMA Cable](#) [MIKROE-274](#) [Minibend-10](#) [Microbend MTR-11](#) [PT815NN](#) [MF53/1x8A_21MXP/11SK/305](#)
[Minibend-3](#) [Minibend-11](#) [Minibend-6](#) [Minibend-2.5](#) [Minibend-13](#)