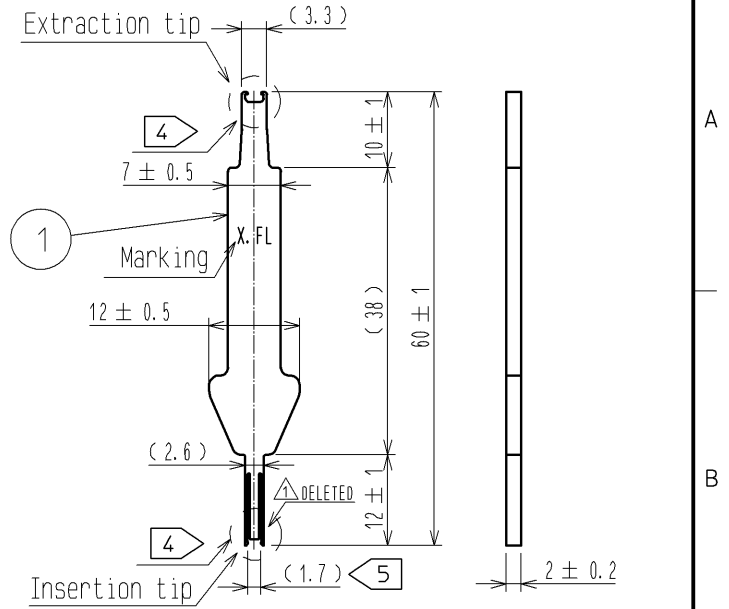


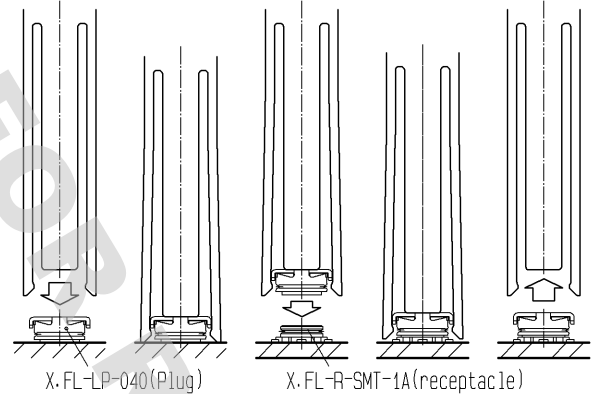
1. This tool is to help insertion / extraction operation of X.FL-LP-040 Plug to / from X.FL-R-SMT-1A Receptacle. Refer to the figure on the right for the operation instructions.

- 2 At the time of plug insertion, align the mating axes of the plug and the receptacle. Confirm that the plug is positioned to be guided (The both axes are aligned and the plug is positioned stably.) Then insert the plug as straight as possible. Avoid an angled insertion.
- 3 Extract the plug as shown in the right bottom figure. Take a caution not to pull at the cable. Pulling at the cable can damage the connectors.
- 4 The tool tips are structurally vulnerable to deformation. The tips are likely to be deformed when the tool is dropped. Handle carefully
- 5 Modify the tool opening dimensions of the insertion tip for the operator's comfort, if necessary. Check that the tool does not scratch X.FL-LP-040 Plug.

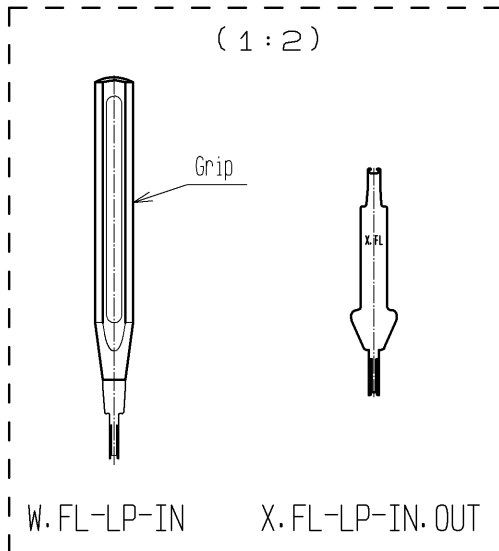
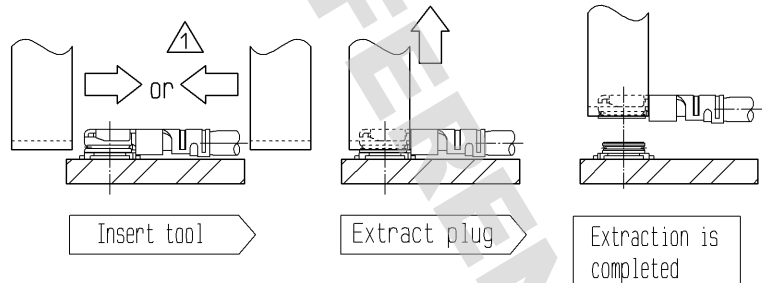
6. When the connector insertion is difficult due to limited operation space at the mounted area, a special insertion tool (W.FL-LP-IN, CL331-0323-2) may become helpful. The size comparison is shown in the figure below.



[How to insert plug] 2 (FREE)



[How to extract plug] 3 (FREE)



RoHS COMPLIANT

1	STEEL	DEGREASING					
NO.	MATERIAL	FINISH	REMARKS	NO.	MATERIAL	FINISH	REMARKS
UNITS mm		SCALE 1 : 1	COUNT 2	DESCRIPTION OF REVISIONS DIS-D-002445	DESIGNED YI. FUNADA	CHECKED NK. NINOMIYA	DATE 12. 04. 18
HIROSE ELECTRIC CO., LTD.				APPROVED : MH. YAMANE 12. 02. 09 CHECKED : NK. NINOMIYA 12. 02. 09 DESIGNED : MT. KANEKO 12. 01. 27 DRAWN : MT. KANEKO 12. 01. 27	DRAWING NO. EDC4-319146-00 PART NO. X.FL-LP-IN. OUT CODE NO. CL331-0702-0-00		

X-ON Electronics

Largest Supplier of Electrical and Electronic Components

Click to view similar products for [Extraction, Removal & Insertion Tools](#) category:

Click to view products by [Hirose](#) manufacturer:

Other Similar products are found below :

[M8196914-08](#) [768211-2](#) [809-131](#) [844751-2](#) [8-59558-2](#) [91018-1](#) [12014013](#) [12093647](#) [1-21048-0](#) [R282867020](#) [12093078](#) [12180559](#) [1-21048-6](#) [12121897](#) [DCF.91.405.5LT](#) [1322](#) [13549852](#) [15314260](#) [15313892](#) [15350698](#) [15350707](#) [15430130](#) [1643916-1](#) [1-679532-0](#) [1976593-3](#) [OUTEXT-0321](#) [2-1579008-3](#) [2-1579008-4](#) [229694-7](#) [231106-1](#) [241469](#) [91040-3](#) [91040-7](#) [965004-000](#) [965069-000](#) [1738219-1](#) [ET-JL05-16](#) [FG 0300 146 3000](#) [FIT-6](#) [210S048](#) [2-1579007-9](#) [231879-1](#) [CF-008025-000](#) [312138-3](#) [RJ11FODE](#) [356-162](#) [M8196914-10](#) [4-1579018-0](#) [483249-1](#) [5-1579007-2](#)