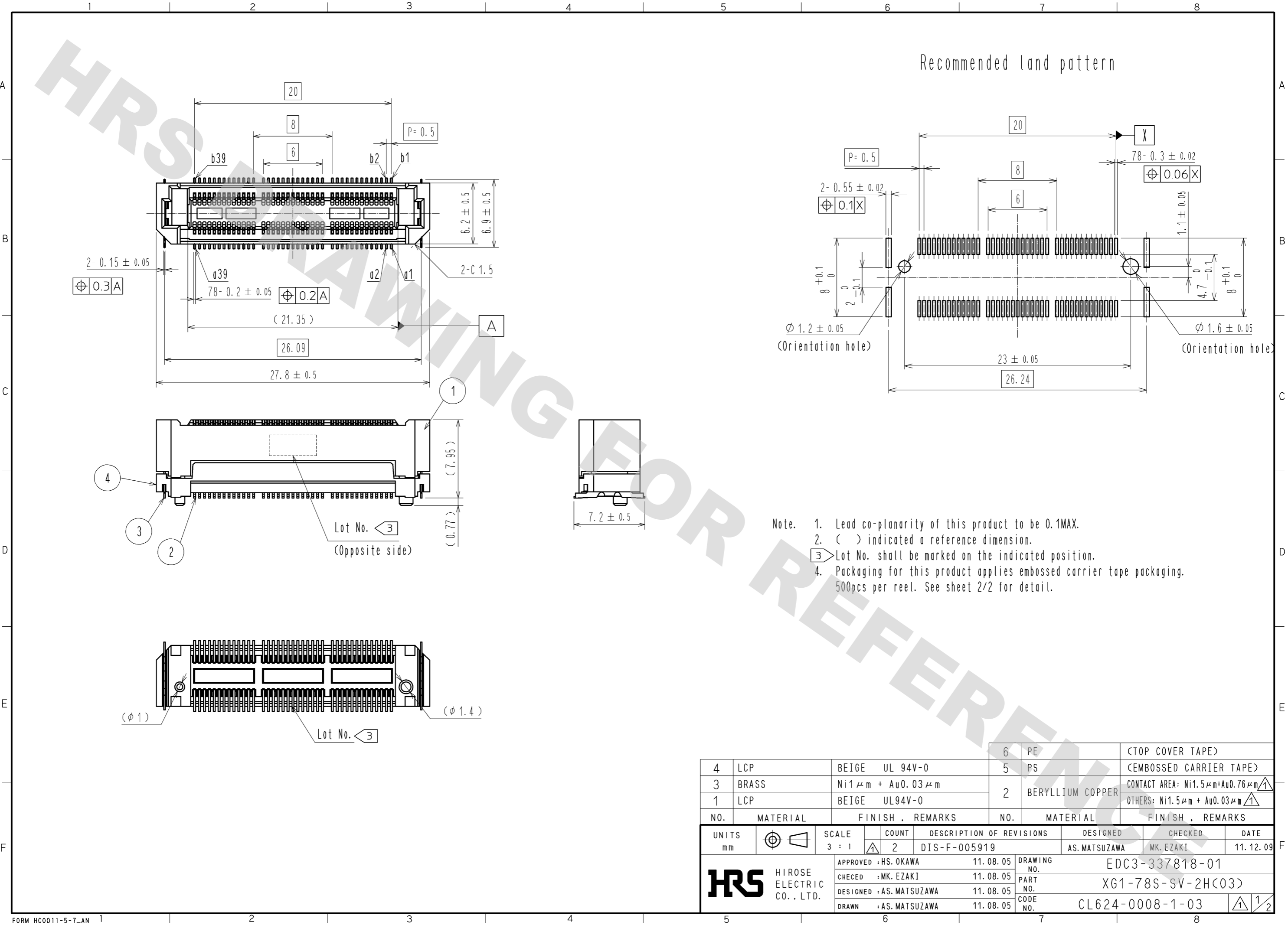


DRAWING FOR REFERENCE: This is subject to change without notice
08/11/2012



- Note.
1. Lead co-planarity of this product to be 0.1MAX.
 2. () indicated a reference dimension.
 - 3 Lot No. shall be marked on the indicated position.
 4. Packaging for this product applies embossed carrier tape packaging. 500pcs per reel. See sheet 2/2 for detail.

4	LCP	BEIGE UL 94V-0	6	PE	(TOP COVER TAPE)
3	BRASS	Ni1μm + Au0.03μm	5	PS	(EMBOSSED CARRIER TAPE)
1	LCP	BEIGE UL94V-0	2	BERYLLIUM COPPER	CONTACT AREA: Ni1.5μm+Au0.76μm OTHERS: Ni1.5μm + Au0.03μm
NO.	MATERIAL	FINISH . REMARKS	NO.	MATERIAL	FINISH . REMARKS
UNITS	mm	SCALE	3 : 1	COUNT	2
DESCRIPTION OF REVISIONS			DESIGNED	CHECKED	DATE
DIS-F-005919			AS. MATSUZAWA	MK. EZAKI	11. 12. 09
APPROVED : HS. OKAWA 11. 08. 05			DRAWING NO. EDC3-337818-01		
CHECKED : MK. EZAKI 11. 08. 05			PART NO. XG1-78S-SV-2H(C03)		
DESIGNED : AS. MATSUZAWA 11. 08. 05			CODE NO. CL624-0008-1-03		
DRAWN : AS. MATSUZAWA 11. 08. 05			1/2		

DRAWING FOR REFERENCE: This is subject to change without notice
08/11/2012

HRS

DRAWING FOR REFERENCE

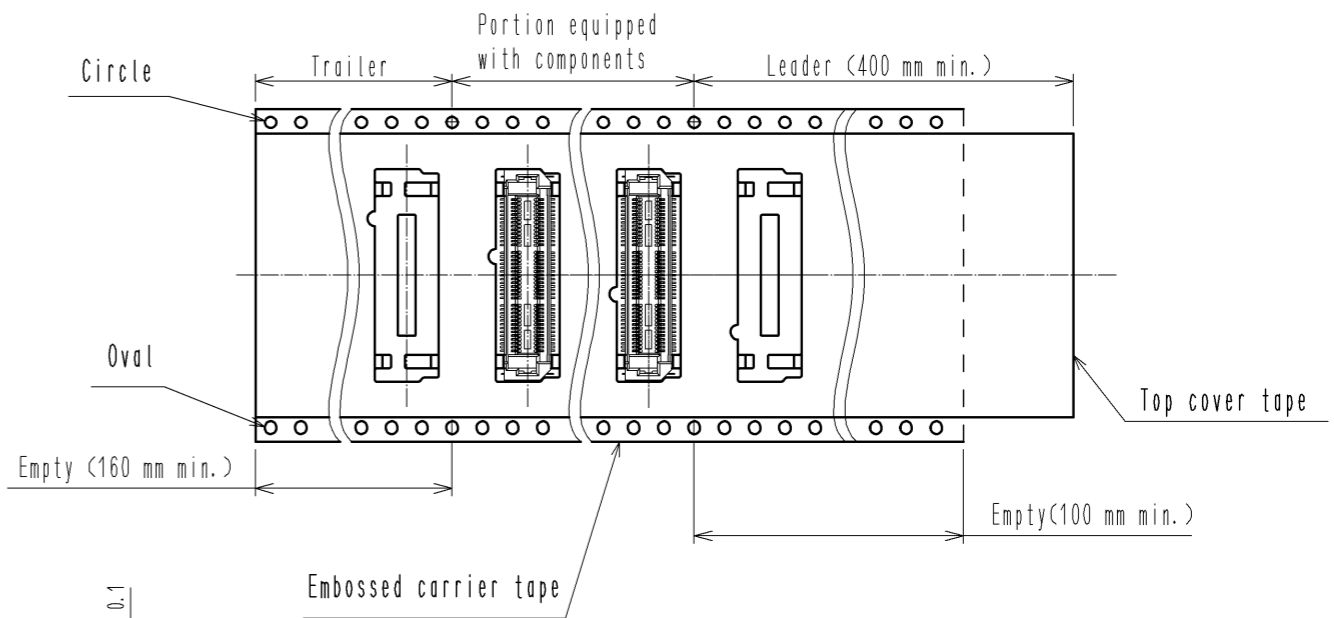


Fig. 3 (Free)

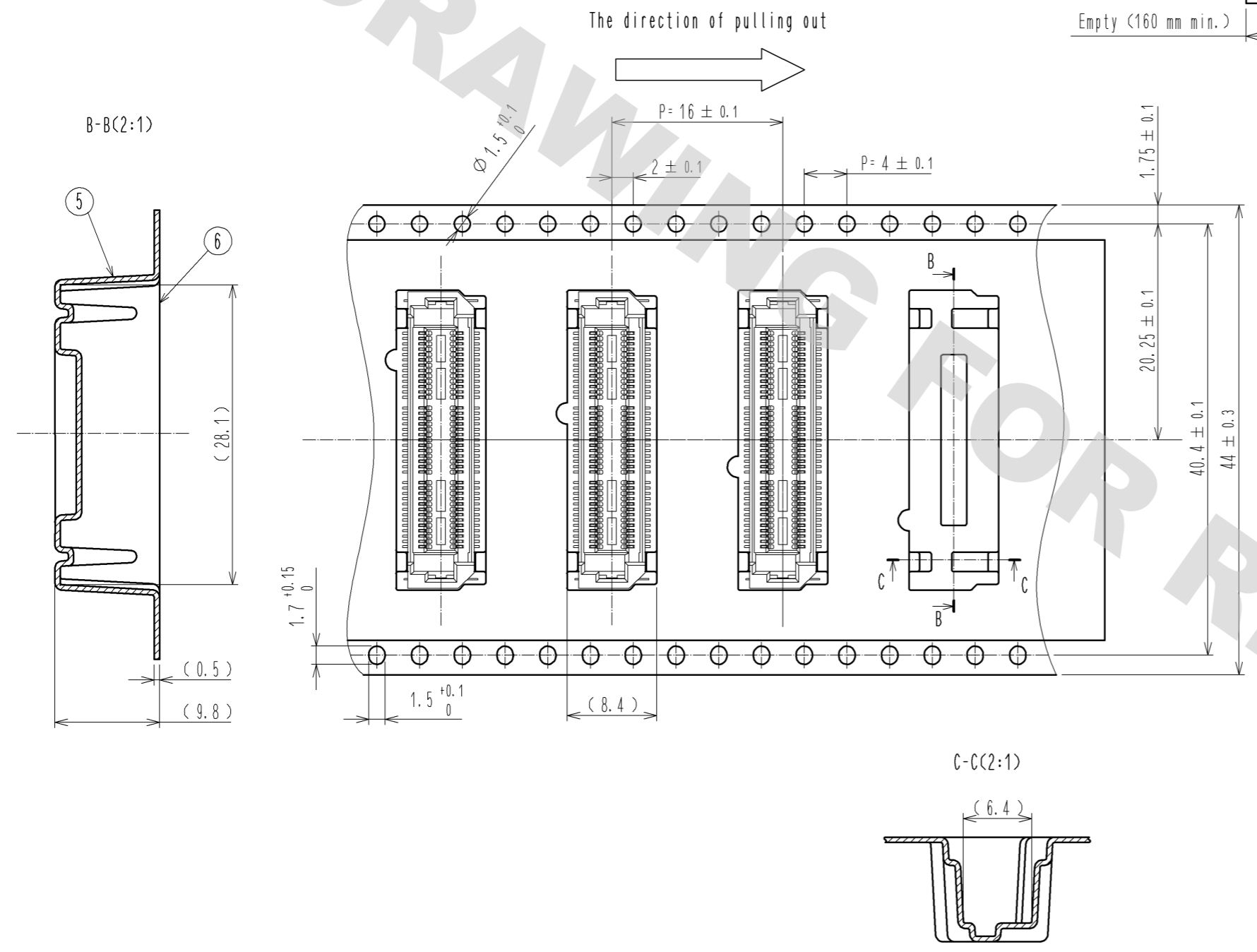


Fig. 2 Drawing for packing (2:1)

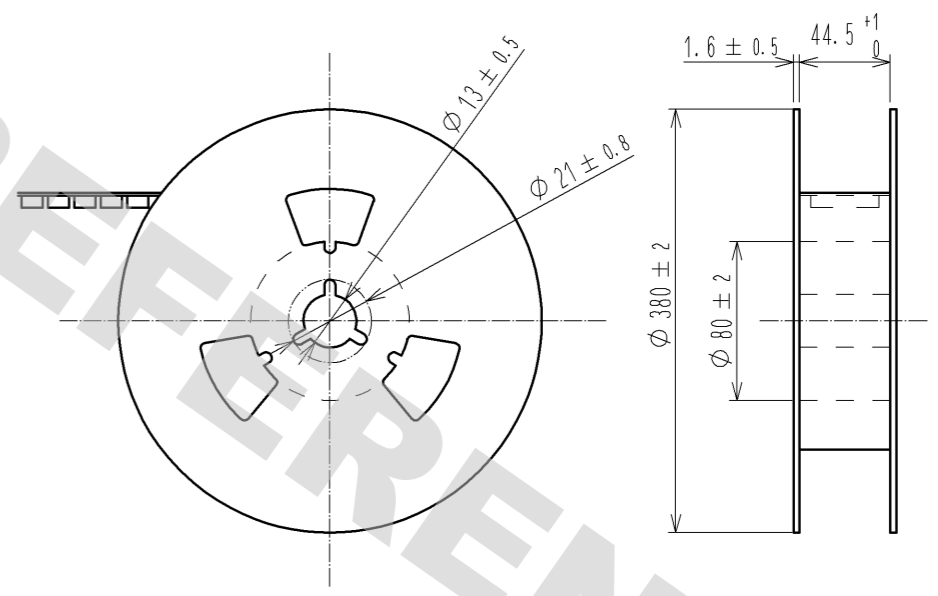


Fig. 4 Detail of reel (Free)

HRS	DRAWING NO.	EDC3-337818-01	2/2
	PART NO.	XG1-78S-SV-2H<03>	
	CODE NO.	CL624-0008-1-03	

X-ON Electronics

Largest Supplier of Electrical and Electronic Components

Click to view similar products for [Board to Board & Mezzanine Connectors](#) category:

Click to view products by [Hirose](#) manufacturer:

Other Similar products are found below :

[589158040000018](#) [MDF7C-18P-2.54DSA\(55\)](#) [FCN-230C068-11](#) [FCN-268F012-G/BD](#) [FCN-268F036-G/BD](#) [FCN-268M012-G/0D](#) [FCN-268M024-G/1D](#) [FCN-723J004/1](#) [MIS-048-01-F-D-DP-K](#) [832-10-034-10-001000](#) [FX4C-80S-1.27DSA](#) [FCN-214Q030-G/0](#) [FCN-234P048-G/0](#) [FCN-235D050-G/C](#) [210-93-314-41-105000](#) [2-22603-0](#) [MDF7-40DP-2.54DSA\(55\)](#) [AXG720047](#) [MIT-114-03-F-D-K](#) [55323-1519](#) [DF33-2P-3.3DSA\(24\)](#) [YFT-20-05-H-03-SB-K](#) [503308-3040](#) [026-6203-PDB](#) [027-6203-PDB](#) [069159702701000](#) [10123981-102LF](#) [101A10019X](#) [55650-0588-C](#) [68682-310LF](#) [68684-306](#) [75140-7012](#) [87471-650](#) [YTW-30-07-H-Q-410-140](#) [FCN-268F024-G0D](#) [10124054-515LF](#) [68685-603](#) [8-1616154-3](#) [MIS-019-01-F-D](#) [FCN-268M024-G/3D](#) [FCN-268M036-G/BD](#) [20021832-06016C1LF](#) [KX15-20KLDL-E1000E](#) [AXE810124](#) [FCN-214J100-G/0](#) [FCN-230C068-E/S](#) [AXE812124](#) [AXE816124](#) [AXE720127](#) [354184](#)