

Jun.1.2021 Copyright 2021 HIROSE ELECTRIC CO., LTD. All Rights Reserved.
In case of consideration for using Automotive equipment / device which demand high reliability, kindly contact our sales window correspondents.

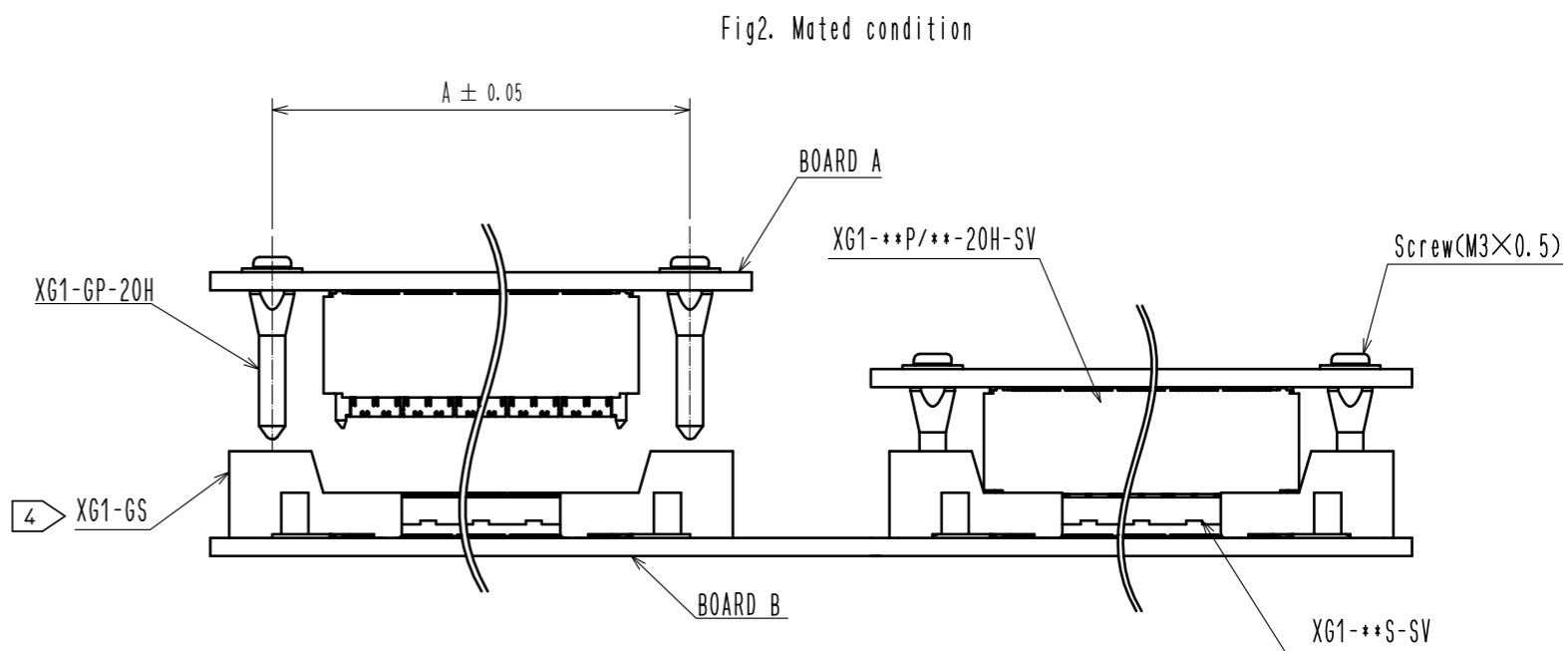
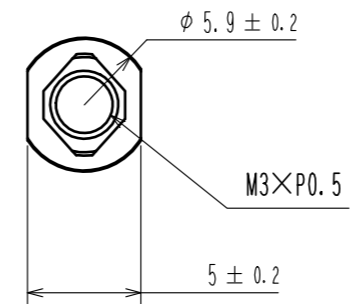
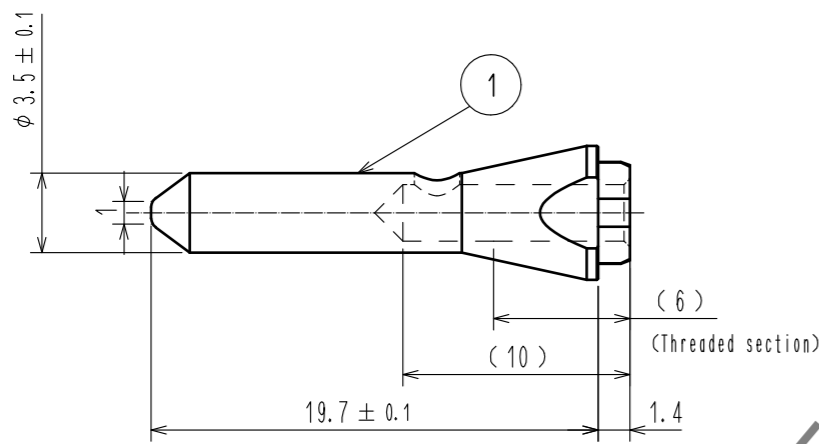


Fig.3 No conductive trace (BOARD B side)

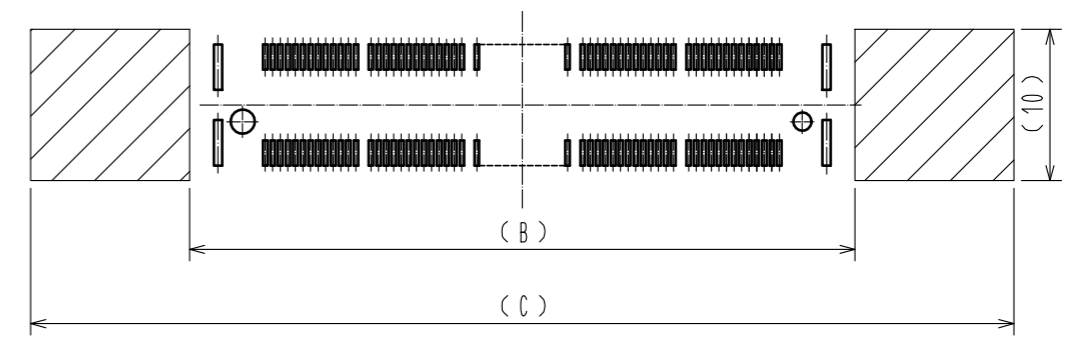
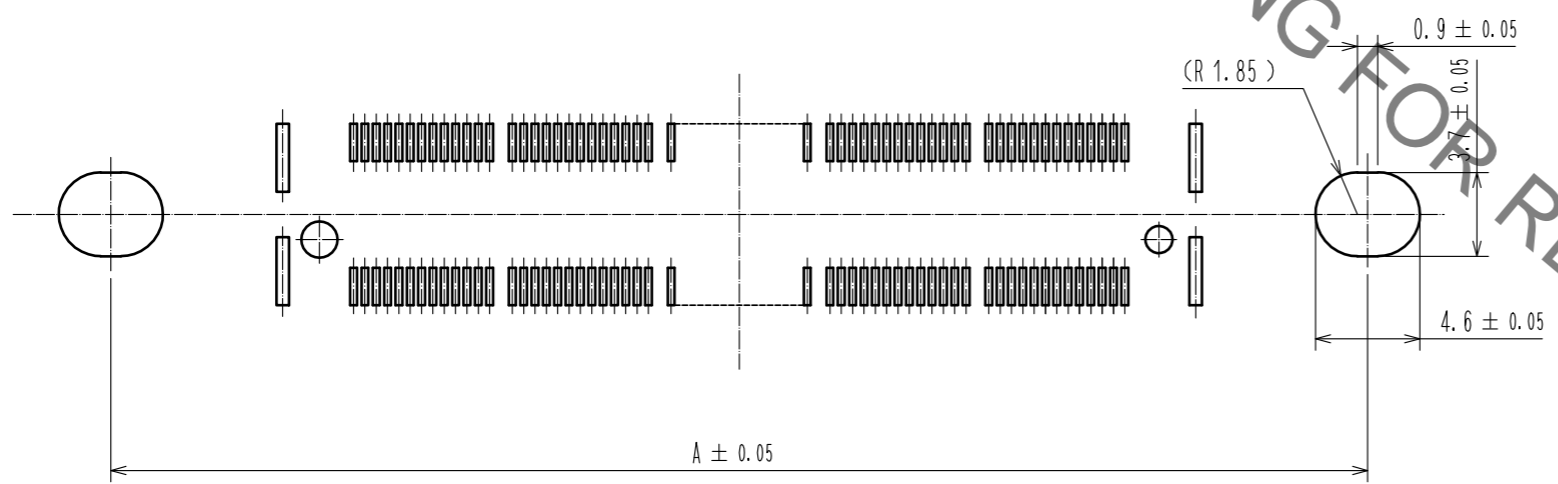


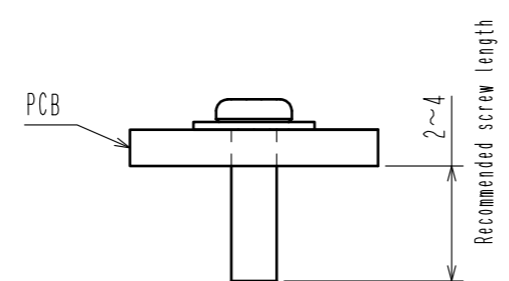
Fig.1 Recommended footprint



| Pin count (pos.) | Product name | B | C |
|------------------|--------------|----|-----|
| 78 | XG1-78S-SV | 30 | 51 |
| 104 | XG1-104S-SV | 37 | 58 |
| 130 | XG1-130S-SV | 44 | 65 |
| 156 | XG1-156S-SV | 54 | 75 |
| 208 | XG1-208S-SV | 68 | 89 |
| 260 | XG1-260S-SV | 82 | 103 |

| Pin count (pos.) | Product name | A |
|------------------|--------------------|------|
| 78 | XG1-78P/**-20H-SV | 41.4 |
| 104 | XG1-104P/**-20H-SV | 48.4 |
| 130 | XG1-130P/**-20H-SV | 55.4 |
| 156 | XG1-156P/**-20H-SV | 65.4 |
| 208 | XG1-208P/**-20H-SV | 79.4 |
| 260 | XG1-260P/**-20H-SV | 93.4 |

Fig.4 Recommended screw length



- Note.
- 1 This product is for use with XG1-78-260P/**-20H-SV. Fig.1 shows the recommended footprint.
 - 2 Sales unit : 200pcs/pack.
 - 3 Recommended tightening torque is 0.6~0.75(N.m).
 - 4 Please use this product in combination with XG1-GS.
 - 5 Recommended screw length is 2~4mm from end-surface of PCB.

| NO. | MATERIAL | FINISH | REMARKS | NO. | MATERIAL | FINISH | REMARKS |
|----------------------------------|----------|--------|---------|------------------------------|--------------------------|--------|---------|
| 1 | C3604B | | | | | Ni 1.5 | |
| UNITS | mm | SCALE | 3 : 1 | COUNT | DESCRIPTION OF REVISIONS | | |
| APPROVED : MK. EZAKI 17.03.02 | | | | DRAWING NO. EDC-332176-00-00 | | | |
| CHECKED : MK. EZAKI 17.03.02 | | | | PART NO. XG1-GP-20H | | | |
| DESIGNED : TF. SUGAWARA 17.03.02 | | | | CODE NO. CL624-0101-7-00 | | | |
| DRAWN : TF. SUGAWARA 17.03.02 | | | | DATE | | | |

X-ON Electronics

Largest Supplier of Electrical and Electronic Components

Click to view similar products for [Board to Board & Mezzanine Connectors](#) category:

Click to view products by [Hirose](#) manufacturer:

Other Similar products are found below :

[589158040000018](#) [FCN-230C068-11](#) [FCN-268F012-G/BD](#) [FCN-268F036-G/BD](#) [FCN-268M012-G/0D](#) [FCN-268M024-G/1D](#) [FCN-723J004/1](#) [MIS-048-01-F-D-DP-K](#) [832-10-034-10-001000](#) [FX4C-80S-1.27DSA](#) [FCN-214Q030-G/0](#) [FCN-234P048-G/0](#) [FCN-235D050-G/C](#) [2-22603-0](#) [AXG720047](#) [5031084030](#) [MIT-114-03-F-D-K](#) [55323-1519](#) [YFT-20-05-H-03-SB-K](#) [503308-3040](#) [026-6203-PDB](#) [027-6203-PDB](#) [069159702701000](#) [10123981-102LF](#) [101A10019X](#) [55650-0588-C](#) [68682-310LF](#) [68684-306](#) [75140-7012](#) [87471-650](#) [YTW-30-07-H-Q-410-140](#) [194261-1](#) [FCN-268F024-G0D](#) [10124054-515LF](#) [68685-603](#) [8-1616154-3](#) [MIS-019-01-F-D](#) [FCN-268M024-G/3D](#) [FCN-268M036-G/BD](#) [20021832-06016C1LF](#) [KX15-20KLDL-E1000E](#) [AXE810124](#) [FCN-214J100-G/0](#) [FCN-230C068-E/S](#) [AXE812124](#) [AXE816124](#) [AXE720127](#) [354184](#) [MIT-019-04-F-D-K](#) [P50-028-DDS-TG](#)