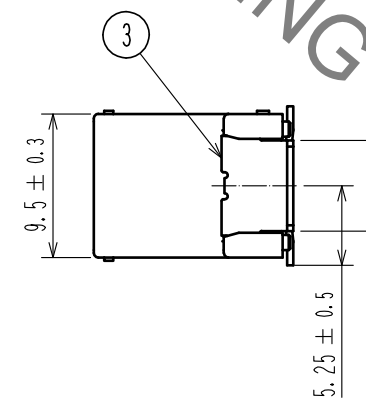
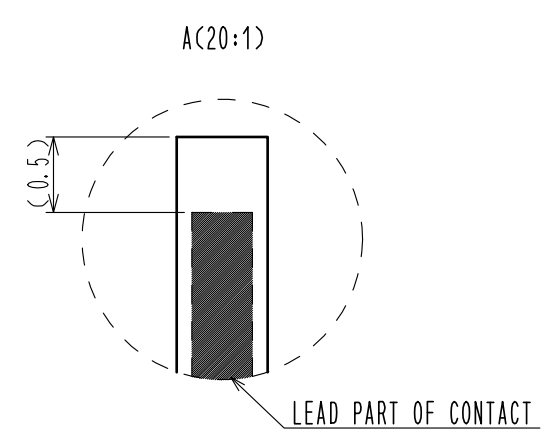
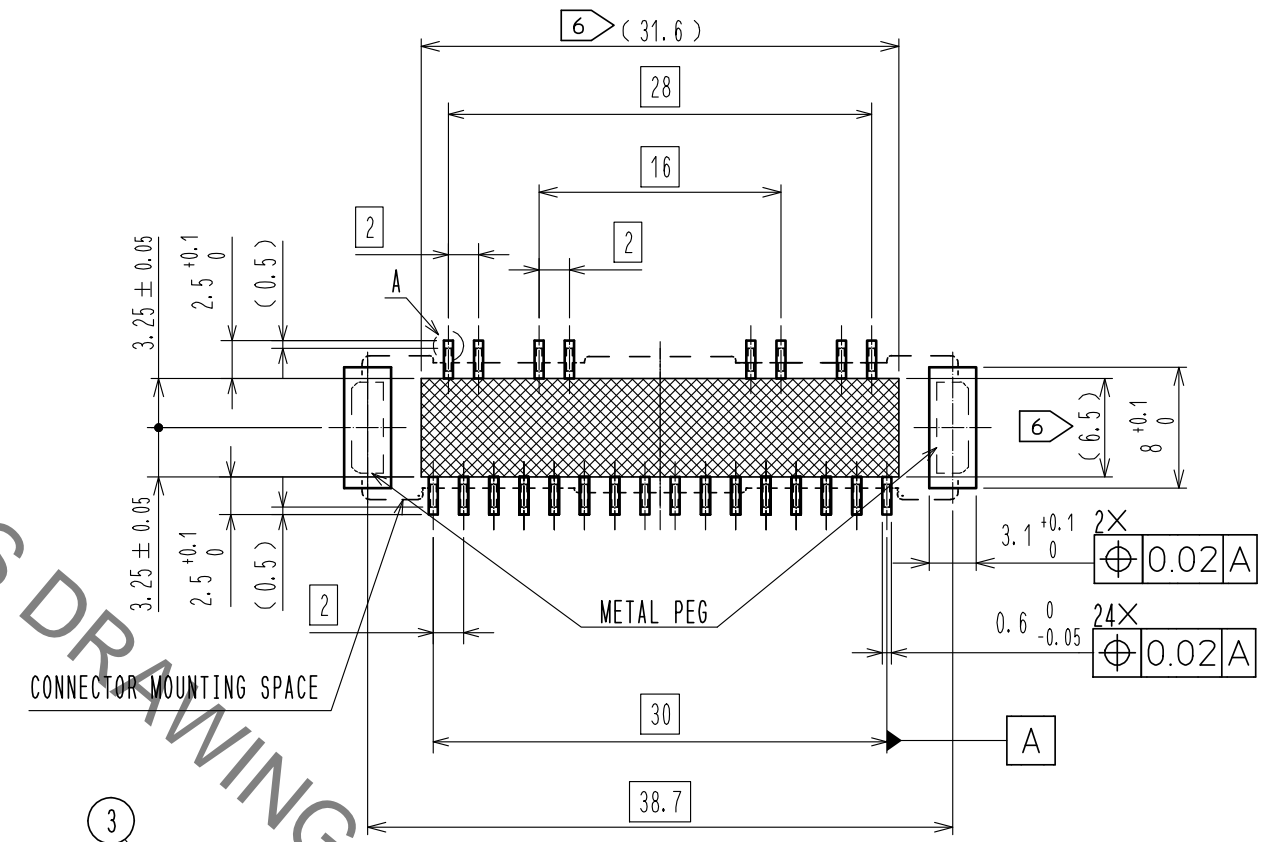
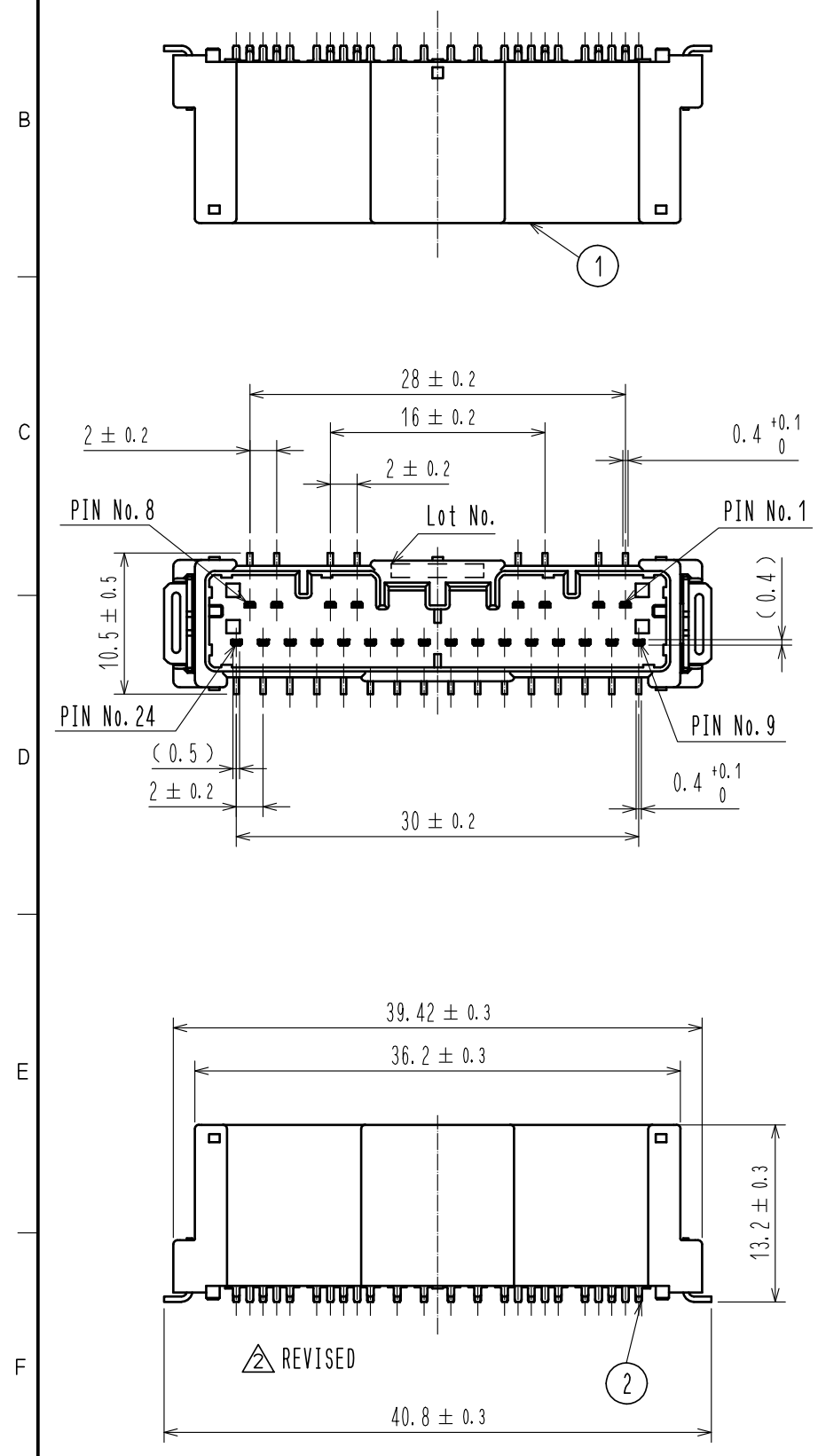


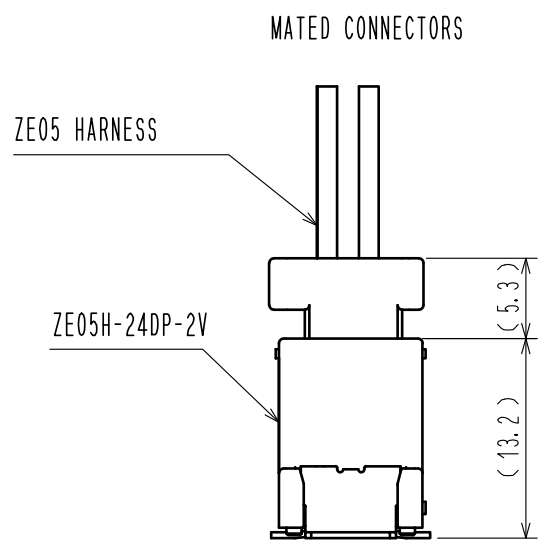
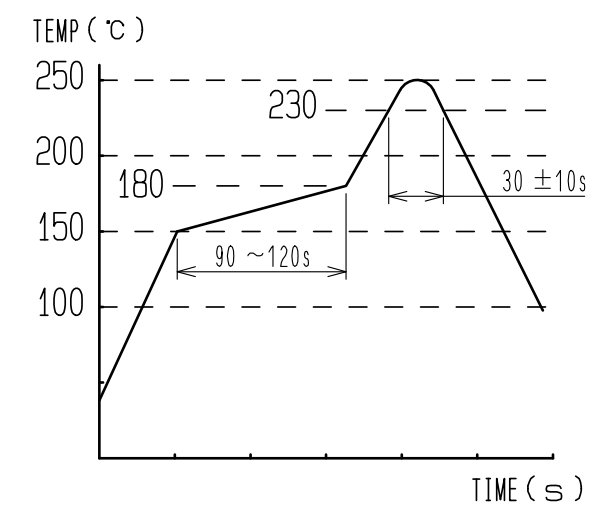
Dec.1.2021 Copyright 2021 HIROSE ELECTRIC CO., LTD. All Rights Reserved.
In case of consideration for using Automotive equipment / device which demand high reliability, kindly contact our sales window correspondents.

ELV, RoHS COMPLIANT

RECOMMENDED PCB PATTERN



- NOTE 1. RECOMMENDED TEMPERATURE PROFILE FOR REFLOW (REFER TO RIGHT FIG.) USED REFLOW SYSTEM
- : IR IN THE AIR OR NITROGEN
 - NO. OF CYCLES : 2 MAX
 - PEAK : 250°C
 - OVER 230°C : 20~40s
 - PREHEAT : 150~180°C
 - : 90~120s
2. TEMPERATURE FOR SOLDERING IRON : 280~300°C WITHIN 2s
3. CO-PLANARITY SHALL BE 0.1mm MAX.
4. RECOMMENDED PCB THICKNESS IS 1.6mm.
5. RECOMMENDED SOLDER THICKNESS IS 0.15mm.
6. : PROHIBITED PATTERN AREA



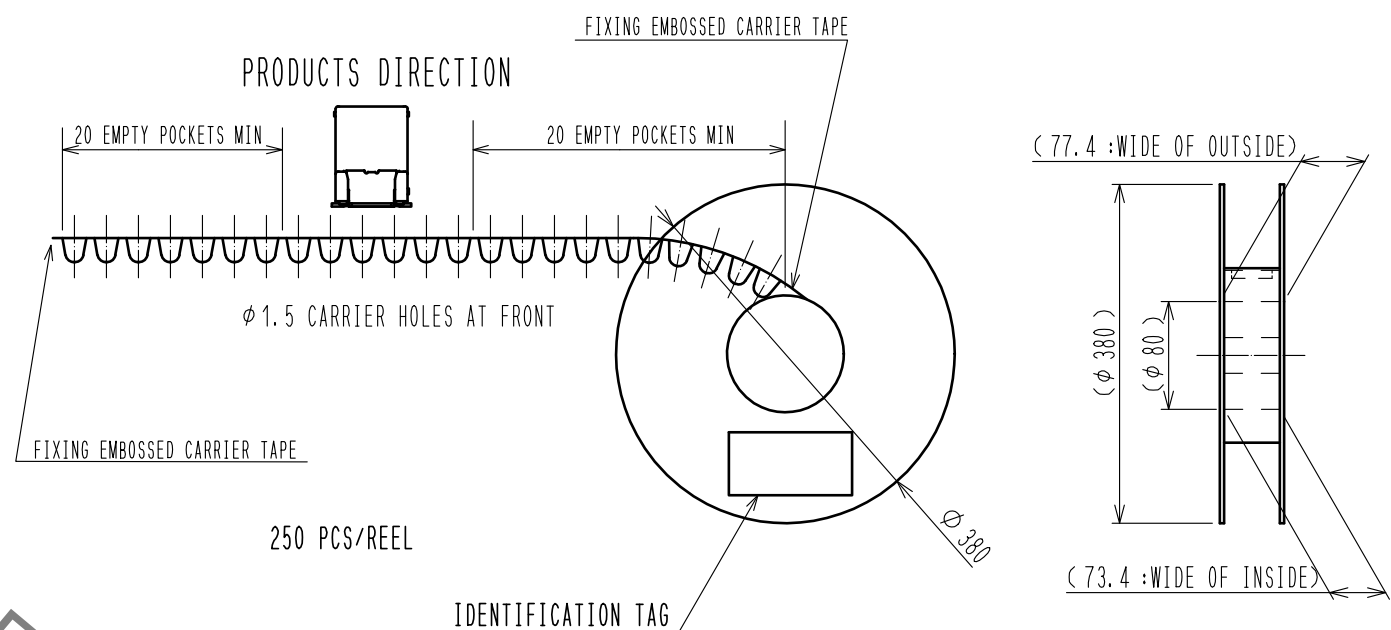
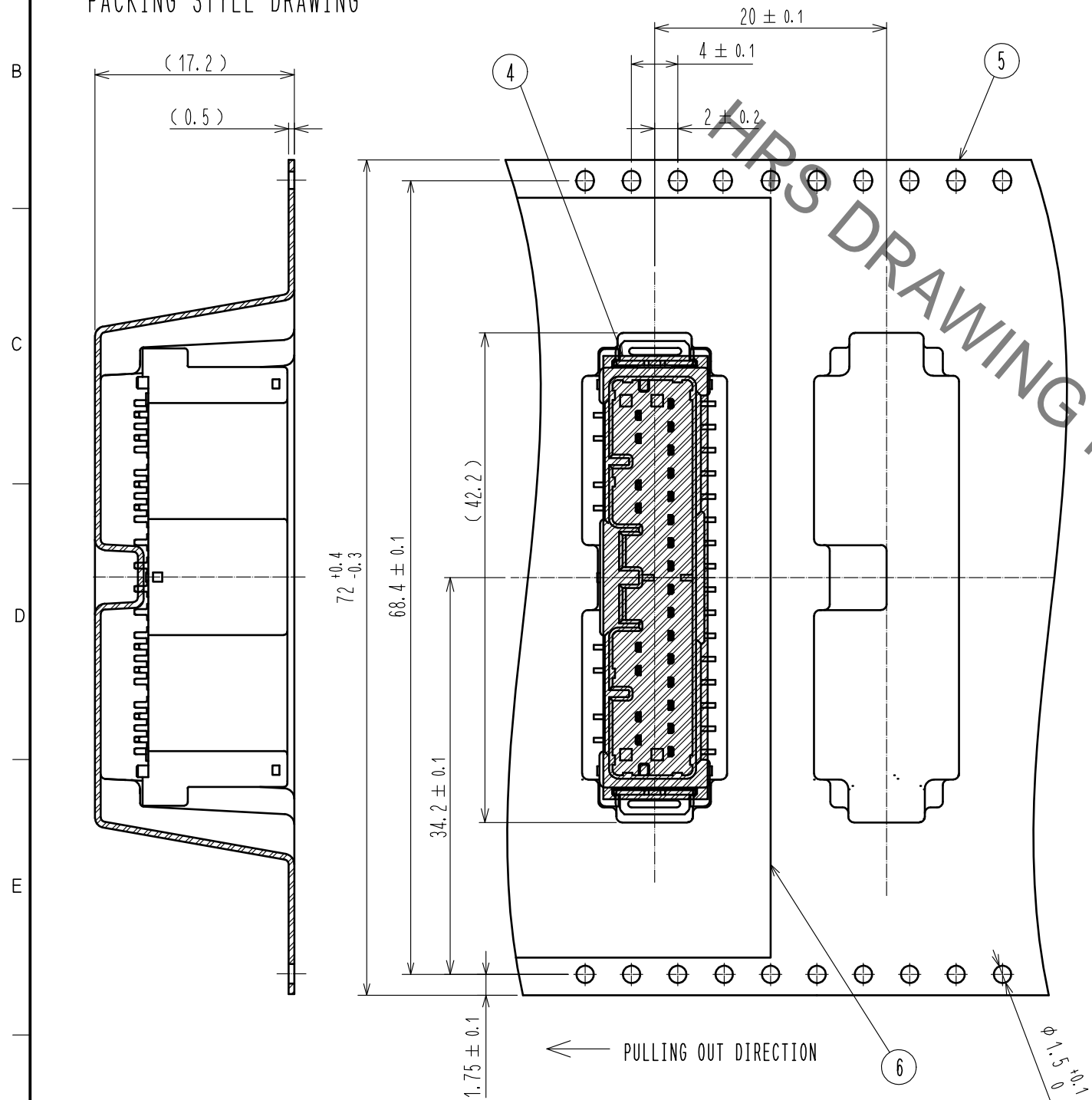
3	BRASS	SURFACE PLATING : TIN PLATING 1μm min					
		UNDER PLATING : NICKEL 1μm min					
2	BRASS	SURFACE PLATING : TIN PLATING 1μm min	6	POLYESTER			
		UNDER PLATING : NICKEL 1μm min	5	POLYSTYRENE			
1	PA	BLACK UL94V-0	4	POLYIMIDE	PICK & PLACE TAPE		
NO.	MATERIAL	FINISH . REMARKS	NO.	MATERIAL	FINISH . REMARKS		
UNITS mm		SCALE 2 : 1	COUNT 1	DESCRIPTION OF REVISIONS DIS-T-00006332	DESIGNED YH.MAMADA	CHECKED HH.TSUKUMO	DATE 20200703
HRS HIROSE ELECTRIC CO., LTD.		APPROVED : HK. UMEHARA	20190517	DRAWING NO. EDC-379835-00-00			
		CHECKED : OM. MIYAMOTO	20190517	PART NO. ZE05H-24DP-2V			
		DESIGNED : TY. ISHIGURO	20190517	CODE NO. CL752-2316-0-00			
		DRAWN : GYEONGMIN LEE	20190515				

Dec.1.2021 Copyright 2021 HIROSE ELECTRIC CO., LTD. All Rights Reserved.
 In case of consideration for using Automotive equipment / device which demand high reliability, kindly contact our sales window correspondents.

PACKING STYLE

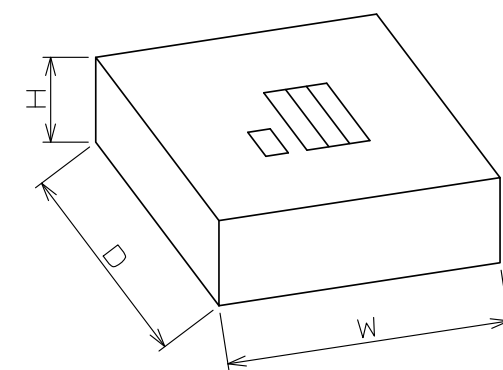
REEL DIMENSION

PACKING STYLE DRAWING



CARDBOARD DIMENSION (FREE)

W=(405) (mm)
 D=(405) (mm)
 H=(80) (mm)



HRS	DRAWING NO.	EDC-379835-00-00
	PART NO.	ZE05H-24DP-2V
	CODE NO.	CL752-2316-0-00
		2/2

X-ON Electronics

Largest Supplier of Electrical and Electronic Components

Click to view similar products for [Automotive Connectors](#) category:

Click to view products by [Hirose](#) manufacturer:

Other Similar products are found below :

[003-018-000](#) [60993906-B](#) [72.330.1035.1](#) [F358300-B](#) [F407400](#) [776880-1](#) [827153-1](#) [8N1515-32-24P](#) [9-1326729-8](#) [925474-1](#) [928905-1](#)
[964562-4](#) [968782-1](#) [98891-1012](#) [12004475-L](#) [12041318-B](#) [12052466](#) [12015909](#) [1-21030-1](#) [12041318](#) [12047957](#) [12185550](#) [12336-12](#)
[12147304](#) [1-326211-1](#) [13681974](#) [13783086](#) [13832576](#) [13542772](#) [13675513](#) [13964573](#) [1428188-1](#) [1437287-3](#) [1428188-2](#) [DS07-19S-5020](#)
[1456983-5](#) [1456987-7](#) [APD-7CP-H](#) [APK-SB25A10L](#) [1452931-2](#) [15491972](#) [15305306](#) [15396680](#) [15425613](#) [15518544](#) [15522351](#) [1719636-](#)
[1](#) [172190-2](#) [172190-5](#) [192900-0402](#)