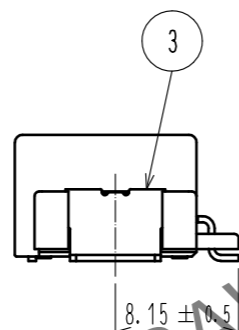
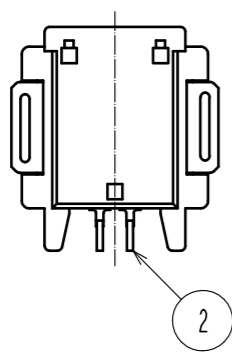
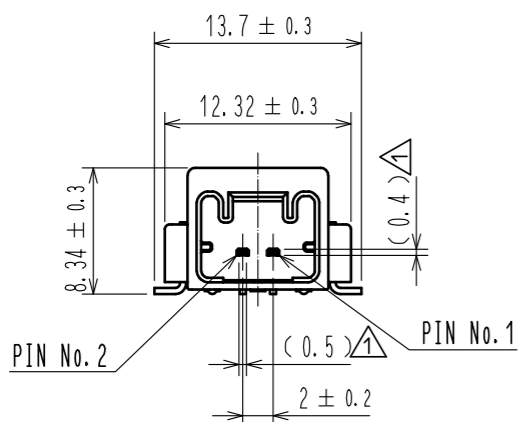
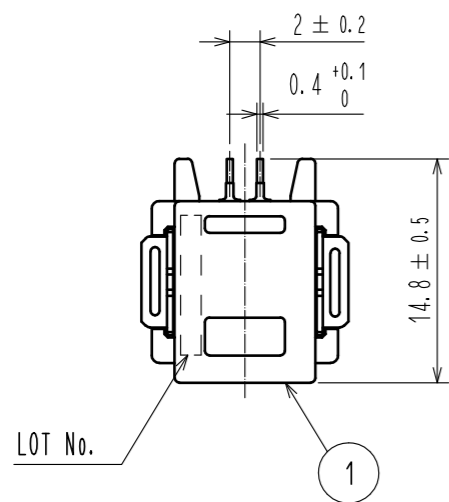
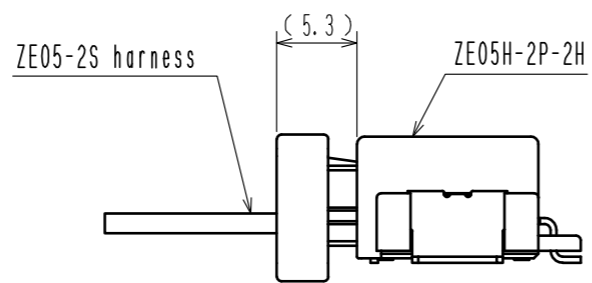


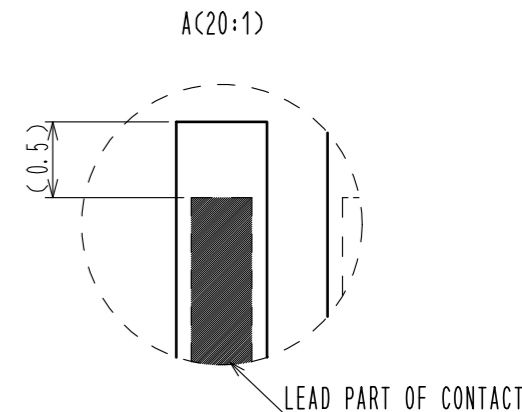
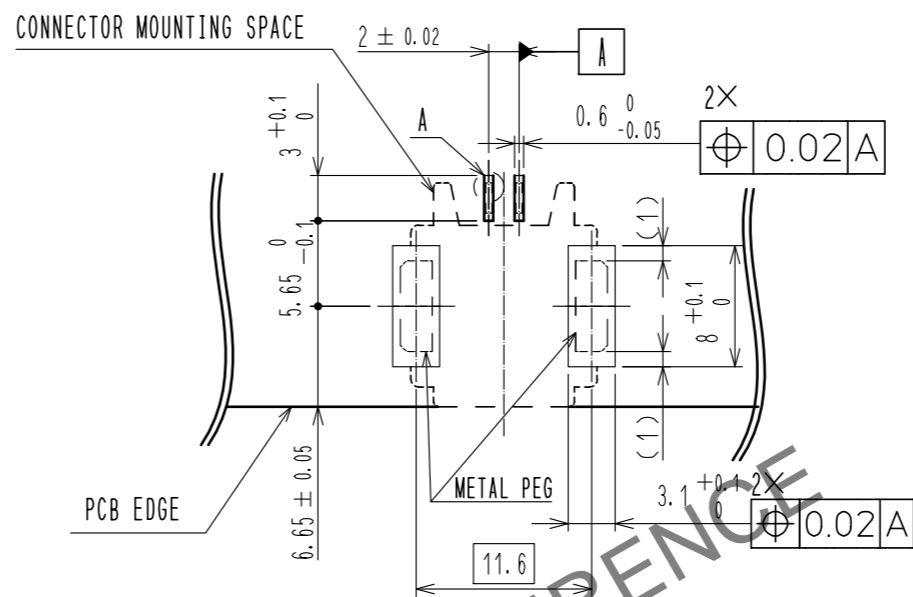
ELV. ROHS COMPLIANT



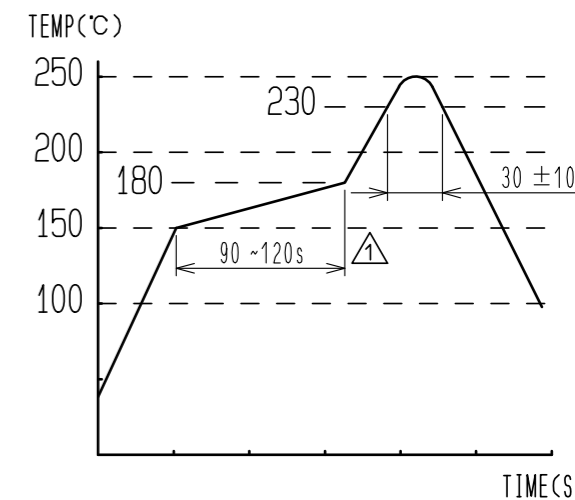
MATED CONNECTORS



RECOMMENDED PCB PATTERN



- NOTE 1. RECOMMENDED TEMPERATURE PROFILE FOR REFLOW (REFER TO RIGHT FIG.) USED REFLOW SYSTEM
- : IR IN THE AIR OR NITROGEN
 - NO. OF CYCLES : 2 MAX Δ
 - PEAK : 250°C
 - OVER 230°C : 20~40s
 - PREHEAT : 150~180°C 90~120s Δ
2. TEMPERATURE FOR SOLDERING IRON : 280~300°C WITHIN 2s
3. CO-PLANARITY SHALL BE 0.1mm MAX.
4. RECOMMENDED PCB THICKNESS IS 1.6mm.
5. RECOMMENDED SOLDER THICKNESS IS 0.15mm.



| 2 | BRASS | SURFACE PLATING : TIN PLATING 1μm min | 5 | POLYESTER | |
|---------------------------------|----------|---------------------------------------|------------------------------|-------------|---------------------------------------|
| | | UNDER PLATING : NICKEL 1μm min | 4 | POLYSTYRENE | |
| 1 | PA | BLACK UL94V-0 | 3 | BRASS | SURFACE PLATING : TIN PLATING 1μm min |
| | | | | | UNDER PLATING : NICKEL 1μm min |
| NO. | MATERIAL | FINISH . REMARKS | NO. | MATERIAL | FINISH . REMARKS |
| UNITS | mm | SCALE | 2 : 1 | COUNT | 5 |
| DESCRIPTION OF REVISIONS | | | DESIGNED | YONGMUN LEE | 20181119 |
| DIS-T-00003979 | | | CHECKED | HH. TSUKUMO | |
| APPROVED : HK. UMEHARA 20180424 | | | DRAWING NO. EDC-373528-00-00 | | |
| CHECKED : AH. EDASHIGE 20180424 | | | PART NO. ZE05H-2P-2H | | |
| DESIGNED : YONGMUN LEE 20180424 | | | CODE NO. CL752-2109-0-00 | | |
| DRAWN : SK. HANAWA 20180424 | | | 1/2 | | |

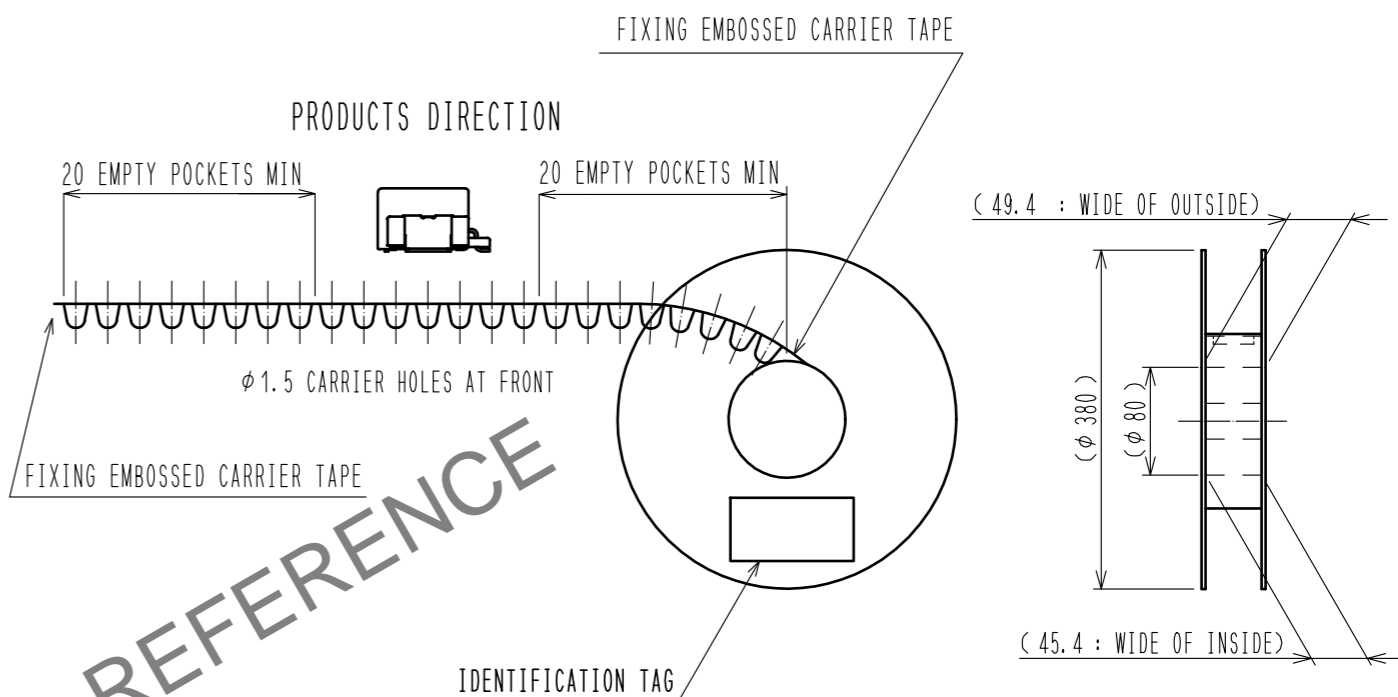
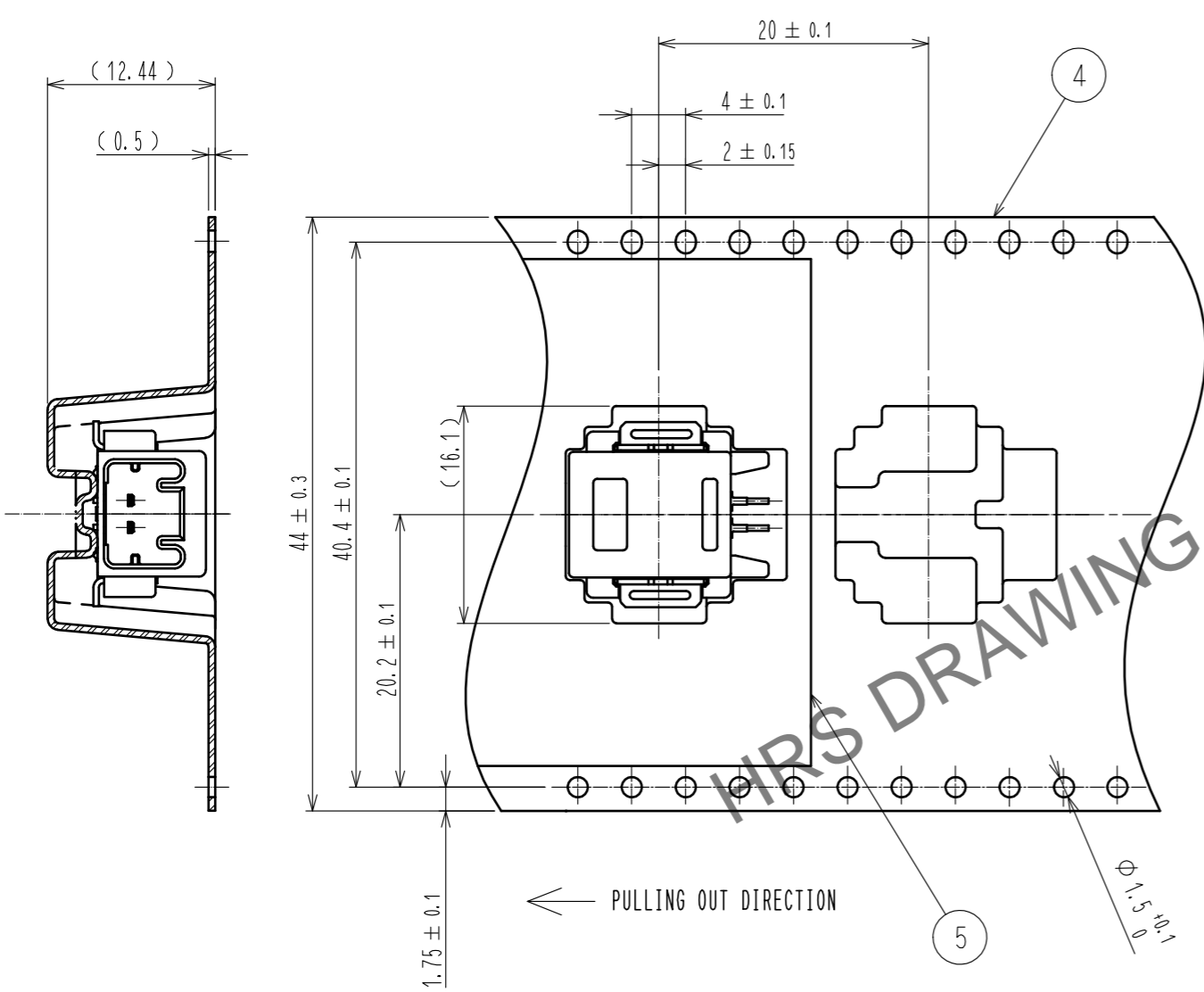
Dec.1.2023 Copyright 2023 HIROSE ELECTRIC CO., LTD. All Rights Reserved. In case of consideration for using Automotive equipment / device which demand high reliability, kindly contact our sales window correspondents.

Dec.1.2023 Copyright 2023 HIROSE ELECTRIC CO., LTD. All Rights Reserved.
 In case of consideration for using Automotive equipment / device which demand high reliability, kindly contact our sales window correspondents.

PACKING STYLE

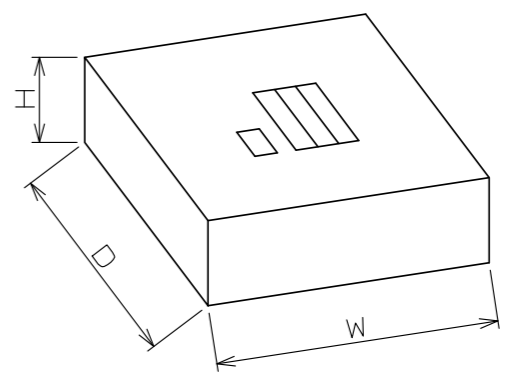
REEL DIMENSION (FREE)

PACKING STYLE DRAWING



CARDBOARD DIMENSION (FREE)

W=(405) (mm)
 D=(405) (mm)
 H=(51) (mm)



HRS DRAWING FOR REFERENCE

| | | | |
|------------|-------------|------------------|-----|
| HRS | DRAWING NO. | EDC-373528-00-00 | 2/2 |
| | PART NO. | ZE05H-2P-2H | |
| | CODE NO. | CL752-2109-0-00 | |
| | | | |

X-ON Electronics

Largest Supplier of Electrical and Electronic Components

Click to view similar products for [AC Power Plugs & Receptacles](#) category:

Click to view products by [Hirose](#) manufacturer:

Other Similar products are found below :

[85447L](#) [1301460003](#) [1301520008](#) [14W07](#) [15W07](#) [22806](#) [26W47](#) [929662-1](#) [27W75](#) [27W81](#) [962160-1](#) [26W](#) [26W76BLK](#) [2783](#) [27W47](#)
[27W48](#) [29W47MB](#) [HDR-E14FG1+](#) [43305](#) [85266](#) [5262DW](#) [22801](#) [25W47](#) [69W75](#) [701W-15/06](#) [26W75](#) [26W75BLK](#) [GM 207-3 NBR](#)
[BLASSBRAUN/LIGHT BROWN](#) [27T76](#) [8210GY](#) [A52S22A](#) [2707](#) [27W74MB](#) [28W75BLK](#) [27W81MB](#) [29W83](#) [15W33GCM](#) [26W47-W](#)
[63W65](#) [RECWALLBOXBA](#) [178125-2](#) [RT-C08-G2-BG](#) [RT-C14-H08-AA-B\(HF\)](#) [RT-C14A-A1](#) [RT-C08-F2-WH](#) [RT-C01-BW](#) [RT-C01-A](#)
[RT-C14B-C00-13-R](#) [RT-C14-L00B-AA-13](#) [RT-C08-HO-BJ](#)