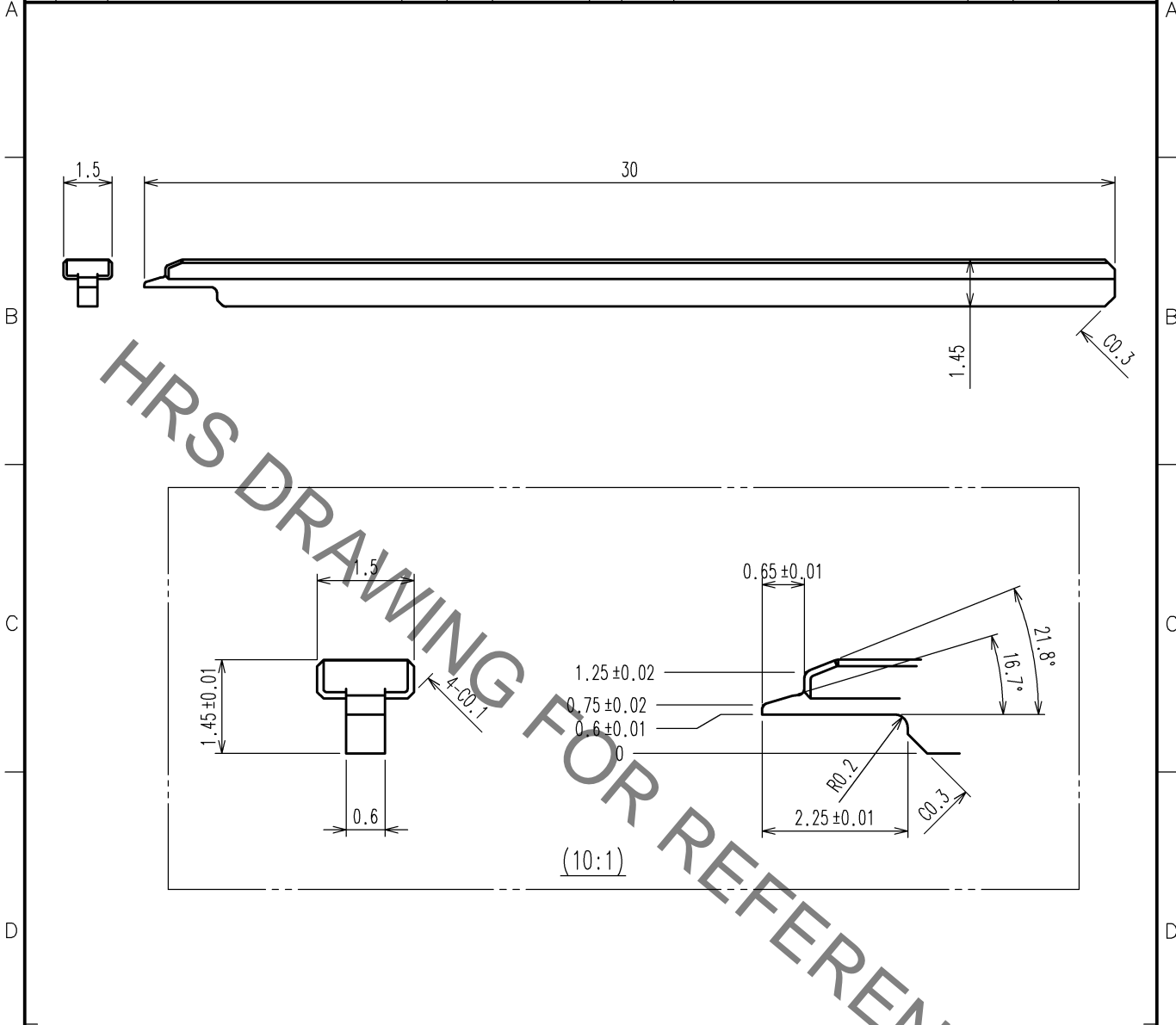


Dec.1.2021 Copyright 2021 HIROSE ELECTRIC CO., LTD. All Rights Reserved.
 In case of consideration for using Automotive equipment / device which demand high reliability, kindly contact our sales window correspondents.

1		2			3			4		
COUNT	DESCRIPTION OF REVISIONS	BY	CHKD	DATE	COUNT	DESCRIPTION OF REVISIONS	BY	CHKD	DATE	
△					△					
△					△					
△					△					



Notes 1. This drawing shows ZE05 crimp housing extraction jig ZE05/RE-MD(0L902-5145-0).
 The dimensions in this drawing are reference values.
 This drawing does not guarantee quality.

2. Burrs are not allowed in the tip.

2			4		
1	SKS3	HQHT(HRC56<60)-1Cr5 RoHS compliant	3		
NO.	MATERIAL	FINISH, REMARKS	NO.	MATERIAL	FINISH, REMARKS

CODE NO. (OLD) CL-		DRAWN	DESIGNED	CHECKED	APPROVED	RELEASED
		M.HOSHINO	H.TOKUTA	H.TOKUTA	H.ASANO	
		21. 7. 26	21. 7. 26	21. 7. 26	21. 7. 26	

 SACLE 5 : 1	DRAWING NO. EDC4-285311-00-01	PART NO. ZE05/RE-MD
	 HIROSE ELECTRIC CO.,LTD.	CODE NO. CL902-5145-0

TO
PE

X-ON Electronics

Largest Supplier of Electrical and Electronic Components

Click to view similar products for [Extraction, Removal & Insertion Tools](#) category:

Click to view products by [Hirose](#) manufacturer:

Other Similar products are found below :

[M8196914-08](#) [768211-2](#) [8-59558-2](#) [91018-1](#) [1-21048-0](#) [1-21048-6](#) [1322](#) [RM-TP](#) [15315247](#) [15313892](#) [15350707](#) [1579018-4](#) [1976593-3](#) [2-1579008-4](#) [229694-7](#) [231106-1](#) [241469](#) [91040-7](#) [965004-000](#) [965069-000](#) [1738219-1](#) [ET-JL05-16](#) [FG 0300 146 3000](#) [FIT-6](#) [2-1579007-9](#) [231879-1](#) [312138-3](#) [313813-1](#) [RJ11FODE](#) [356-162](#) [M8196914-10](#) [483249-1](#) [313806-1](#) [356-121](#) [38039-7-0SN](#) [CAT-RE-169-01](#) [DCF.91.162.2LT](#) [DCF.92.090.3LT](#) [DF-SD1RE-MD](#) [51-943.9](#) [0405-0337AS](#) [1055543-1](#) [1-1579028-0](#) [TC-1600-21](#) [5991111610](#) [5-525450-1](#) [548551-1](#) [300006](#) [312154-1](#) [126117-1](#)