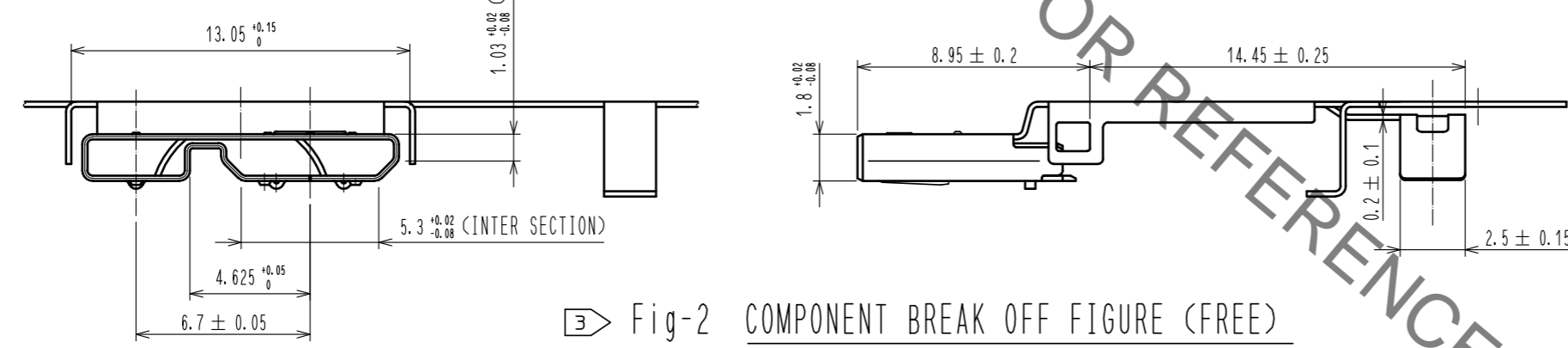
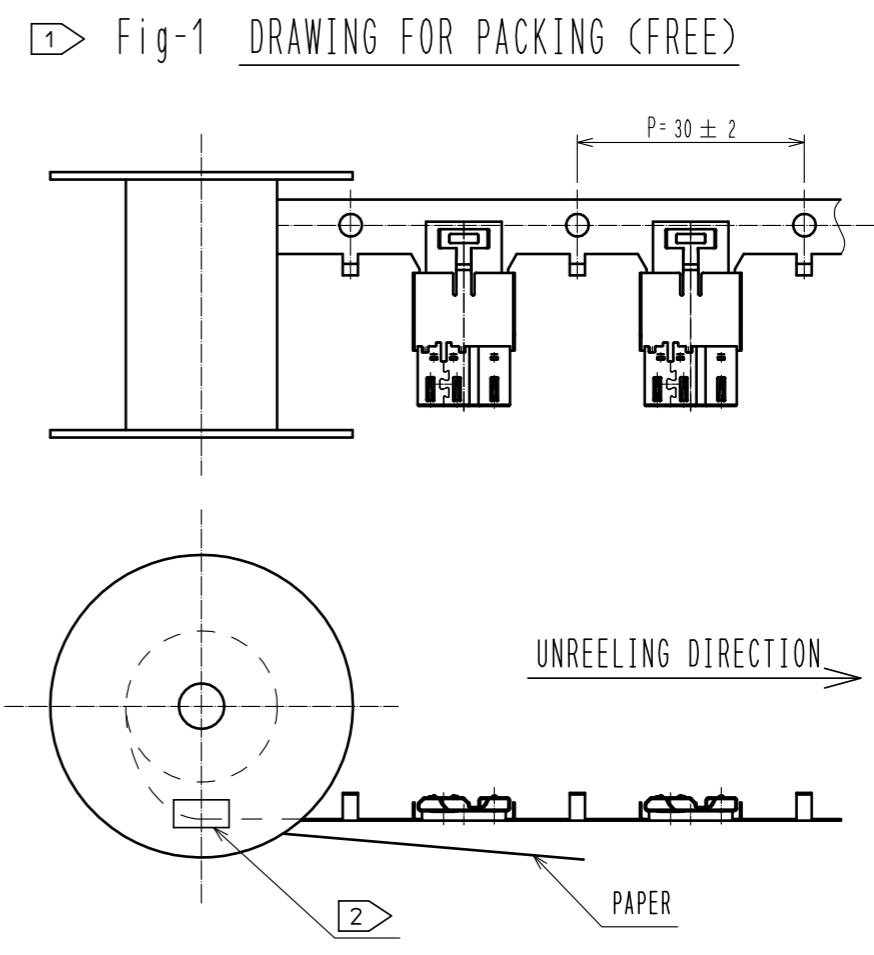
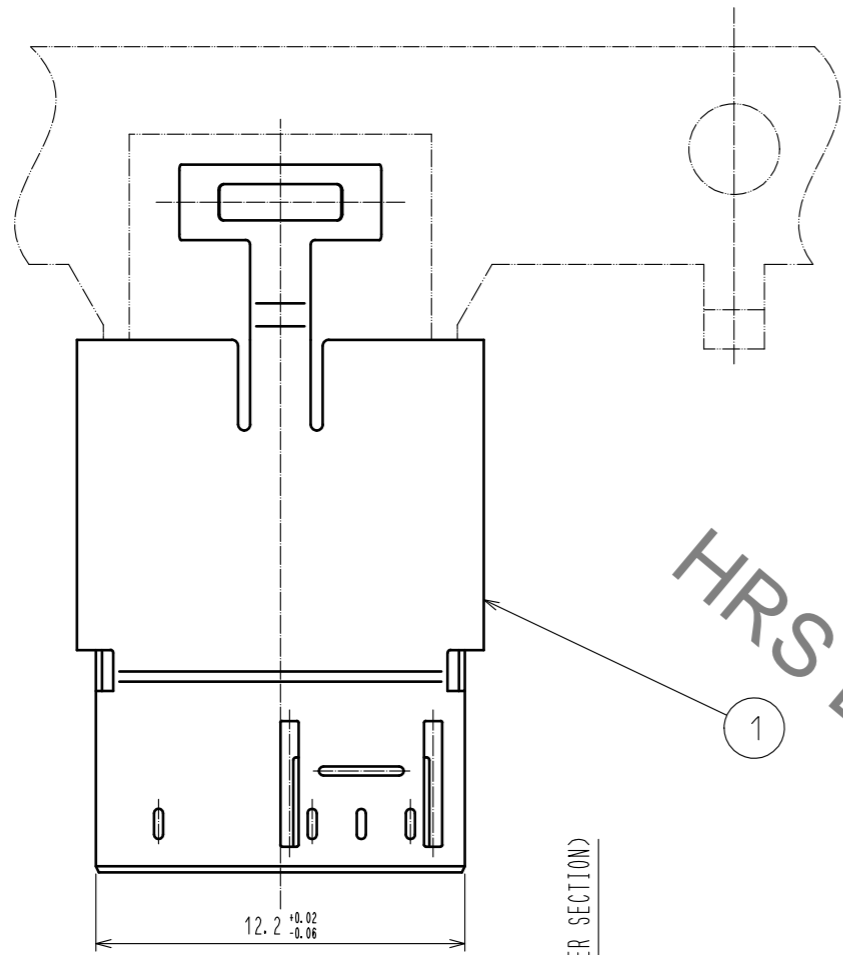
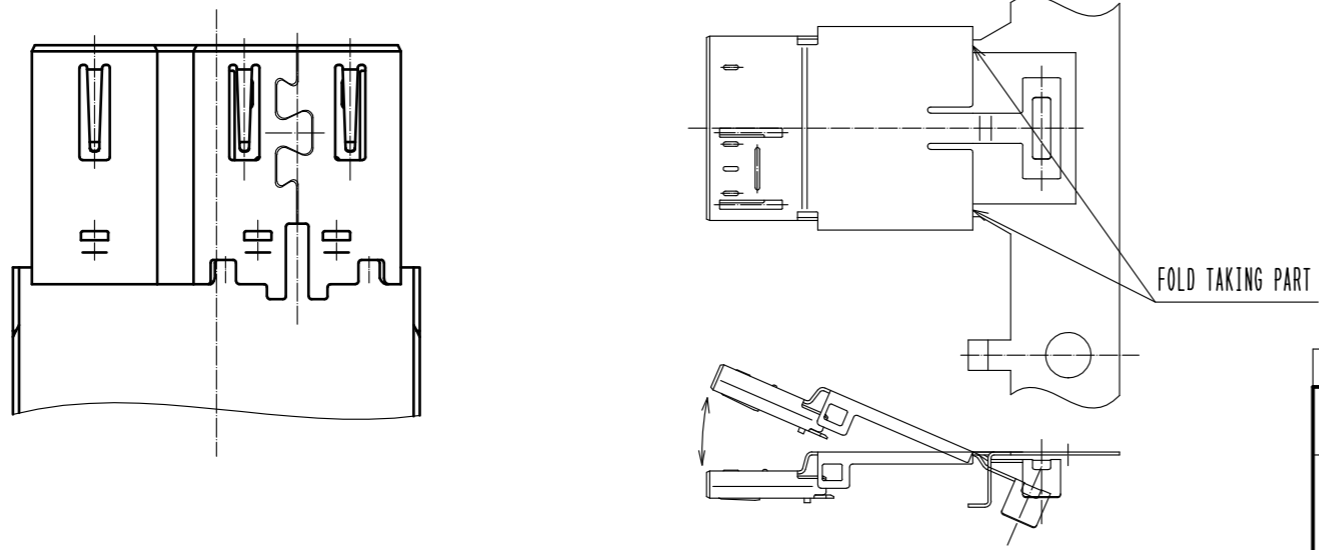


Sep.1.2021 Copyright 2021 HIROSE ELECTRIC CO., LTD. All Rights Reserved.
In case of consideration for using Automotive equipment / device which demand high reliability, kindly contact our sales window correspondents.



③
Halogen-Free
Lead Free Process
RoHS Compliant



- NOTE ① THIS IS DELIVERED BY A REEL. QTY : 2700 PCS.
② INDICATE 'Part No.', 'CL No.', 'Lot No.', AND QUANTITY ON BOTH REEL AND THE SIDE SURFACE OF THE SHIPPING OUTER BOX.
③ REMOVE THE COMPONENT FROM THE CARRIER FOR USE AS SHOWN IN Fig.2.

NO.	MATERIAL	FINISH . REMARKS	NO.	MATERIAL	FINISH . REMARKS
1	STAINLESS STEEL	NICKEL PLATING 0.1μm min			
UNITS mm		SCALE 4 : 1	COUNT 1	DESCRIPTION OF REVISIONS DIS-E-00001801	DESIGNED YS. SAKODA
					CHECKED AH. KODAMA
					DATE 20181004
HRS	HIROSE ELECTRIC CO., LTD.	APPROVED : A0. SUZUKI	20100807	DRAWING NO.	EDC-127030-00-00
		CHECKED : KN. ICHIKAWA	20100807	PART NO.	ZX360-B-SLDA
		DESIGNED : TY. MIURA	20100806	CODE NO.	CL242-0502-7-00
		DRAWN : TY. MIURA	20100806		

X-ON Electronics

Largest Supplier of Electrical and Electronic Components

Click to view similar products for [USB Connectors](#) category:

Click to view products by [Hirose](#) manufacturer:

Other Similar products are found below :

[65-647-8-BK-BU](#) [950](#) [952](#) [E8144-B01021-L](#) [A-USB A-LP-SMT-C](#) [MUSBA511N5](#) [MUSBD11135](#) [217450-1](#) [CA 6 W LD](#) [KMBVX-TH-5S-B30](#) [896-30-004-00-000000](#) [KUSBVX-BS1N-W30](#) [KUSBX-AP-KIT-SCBLK](#) [KUSBX-AS2N-W](#) [KUSBX-SMT2AP1S-W](#) [KUSBX-SMT2AP1S-W30](#) [935](#) [957](#) [30-498-6](#) [17-210051](#) [1734082-1](#) [30-1574](#) [30-470](#) [30-489](#) [30-541](#) [30-572-3](#) [MAB 8 SN V](#) [A-USB A-2P-C](#) [MIKROE-1451](#) [USBFTV2PEM2G](#) [USBFTVC6ZN](#) [KUSBX-AS2N-W30](#) [KUSBX-SLAS1N-W](#) [KUSBX-SMT-AS1N-W30](#) [4689-1](#) [1-1734084-2](#) [E8110-001-01](#) [MUSBA81130](#) [33UBARS1-04SW11](#) [33UBAR-04SW11](#) [USBF21ZNSCC](#) [USBBFTV6ZC](#) [10135326-001LF](#) [M9177/3-1](#) [USB-A-S-F-B-VT](#) [925](#) [4198](#) [690-024-633-031](#) [KUSBEX-BSFS1N-W](#) [USBFTVC6MRG](#)