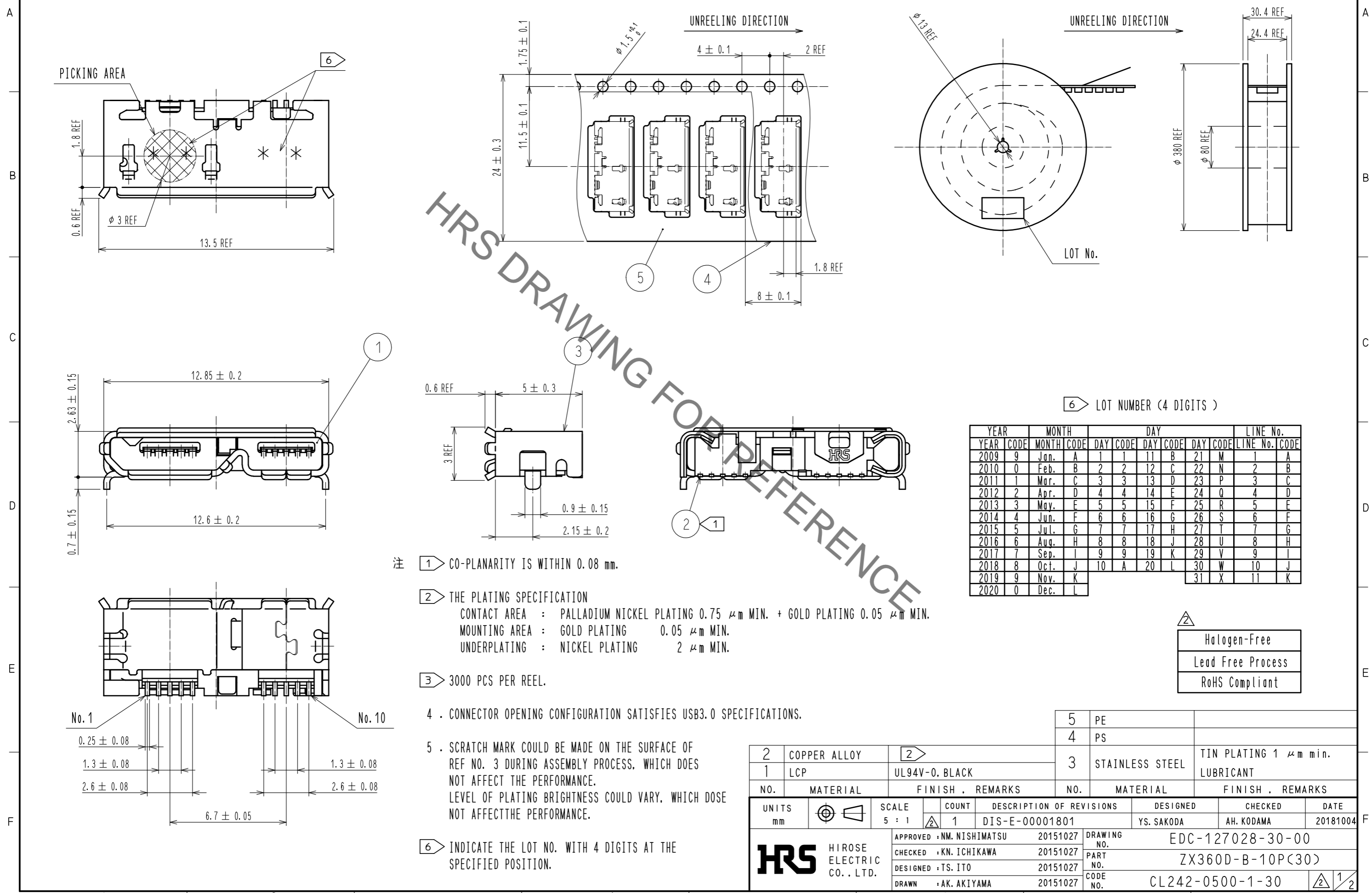


Sep.1.2021 Copyright 2021 HIROSE ELECTRIC CO., LTD. All Rights Reserved.  
In case of consideration for using Automotive equipment / device which demand high reliability, kindly contact our sales window correspondents.

③ DRAWING FOR PACKAGING (FREE)



注 ① CO-PLANARITY IS WITHIN 0.08 mm.

② THE PLATING SPECIFICATION  
 CONTACT AREA : PALLADIUM NICKEL PLATING 0.75 μm MIN. + GOLD PLATING 0.05 μm MIN.  
 MOUNTING AREA : GOLD PLATING 0.05 μm MIN.  
 UNDERPLATING : NICKEL PLATING 2 μm MIN.

③ 3000 PCS PER REEL.

4 . CONNECTOR OPENING CONFIGURATION SATISFIES USB3.0 SPECIFICATIONS.

5 . SCRATCH MARK COULD BE MADE ON THE SURFACE OF REF NO. 3 DURING ASSEMBLY PROCESS, WHICH DOES NOT AFFECT THE PERFORMANCE.  
 LEVEL OF PLATING BRIGHTNESS COULD VARY, WHICH DOSE NOT AFFECT THE PERFORMANCE.

⑥ INDICATE THE LOT NO. WITH 4 DIGITS AT THE SPECIFIED POSITION.

⑥ LOT NUMBER (4 DIGITS)

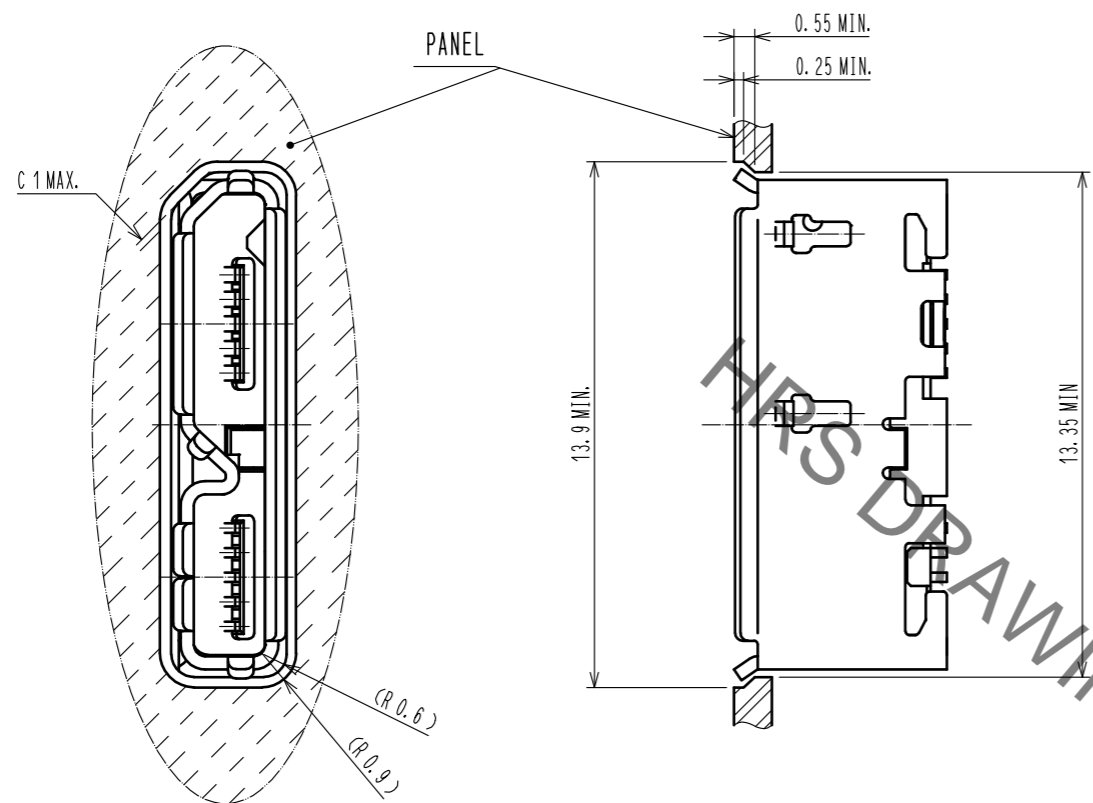
YEAR	MONTH	DAY	DAY	DAY	DAY	DAY	DAY	LINE No.			
YEAR CODE	MONTH CODE	DAY CODE	DAY CODE	DAY CODE	DAY CODE	DAY CODE	DAY CODE	LINE No. CODE			
2009	9	Jan.	A	1	1	11	B	21	M	1	A
2010	0	Feb.	B	2	2	12	C	22	N	2	B
2011	1	Mar.	C	3	3	13	D	23	P	3	C
2012	2	Apr.	D	4	4	14	E	24	Q	4	D
2013	3	May.	E	5	5	15	F	25	R	5	E
2014	4	Jun.	F	6	6	16	G	26	S	6	F
2015	5	Jul.	G	7	7	17	H	27	T	7	G
2016	6	Aug.	H	8	8	18	J	28	U	8	H
2017	7	Sep.	I	9	9	19	K	29	V	9	I
2018	8	Oct.	J	10	A	20	L	30	W	10	J
2019	9	Nov.	K					31	X	11	K
2020	0	Dec.	L								

△ Halogen-Free  
 Lead Free Process  
 RoHS Compliant

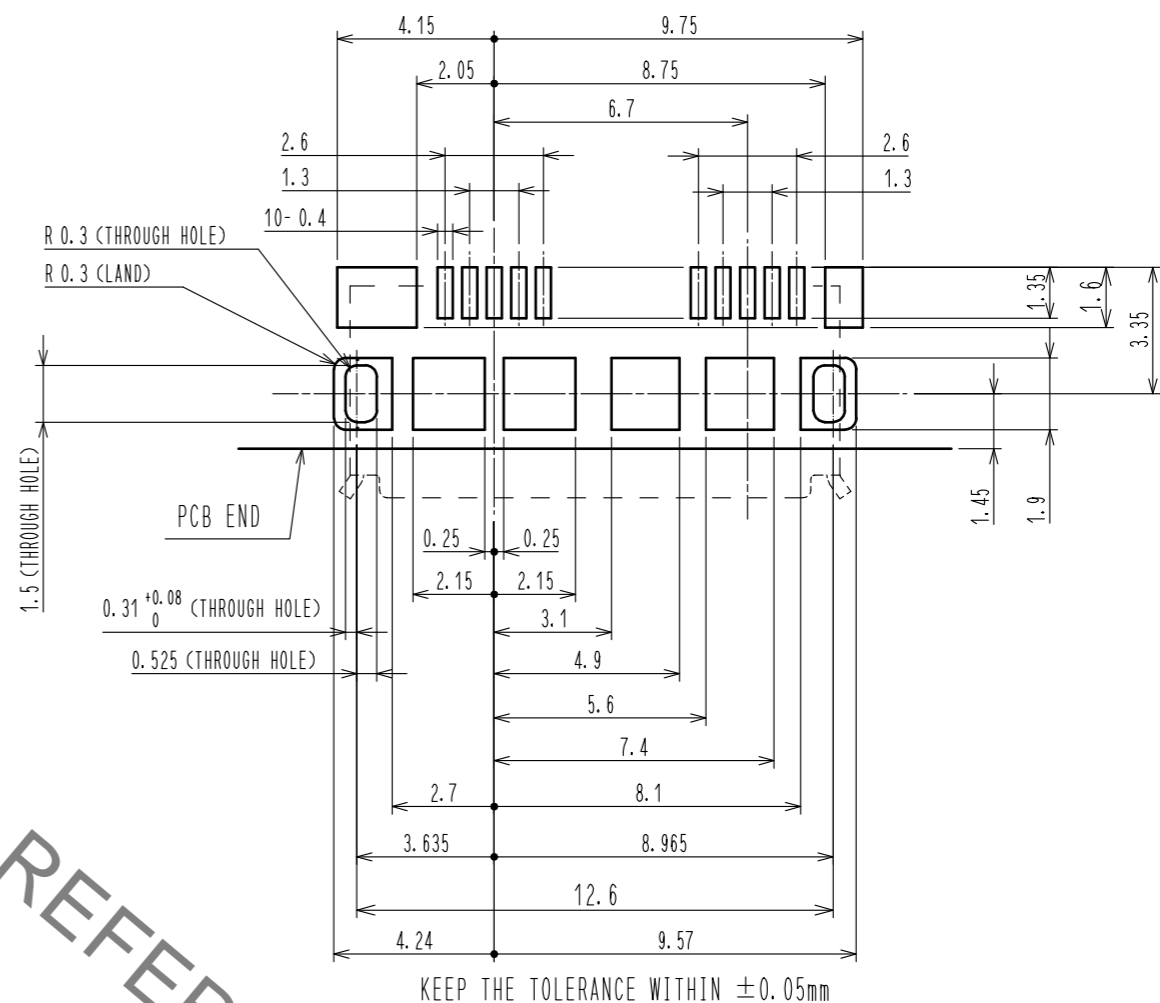
2	COPPER ALLOY	②	5	PE	
1	LCP	UL94V-0, BLACK	4	PS	
3	STAINLESS STEEL	TIN PLATING 1 μm min. LUBRICANT			
NO.	MATERIAL	FINISH . REMARKS	NO.	MATERIAL	FINISH . REMARKS
UNITS mm	①	SCALE 5 : 1	COUNT 1	DESCRIPTION OF REVISIONS	DESIGNED YS. SAKODA
					CHECKED AH. KODAMA
					DATE 20181004
APPROVED : NM. NISHIMATSU 20151027		DRAWING NO. EDC-127028-30-00			
CHECKED : KN. ICHIKAWA 20151027		PART NO. ZX360D-B-10P(30)			
DESIGNED : TS. ITO 20151027		CODE NO. CL242-0500-1-30			
DRAWN : AK. AKIYAMA 20151027					

Sep.1.2021 Copyright 2021 HIROSE ELECTRIC CO., LTD. All Rights Reserved.  
 In case of consideration for using Automotive equipment / device which demand high reliability, kindly contact our sales window correspondents.

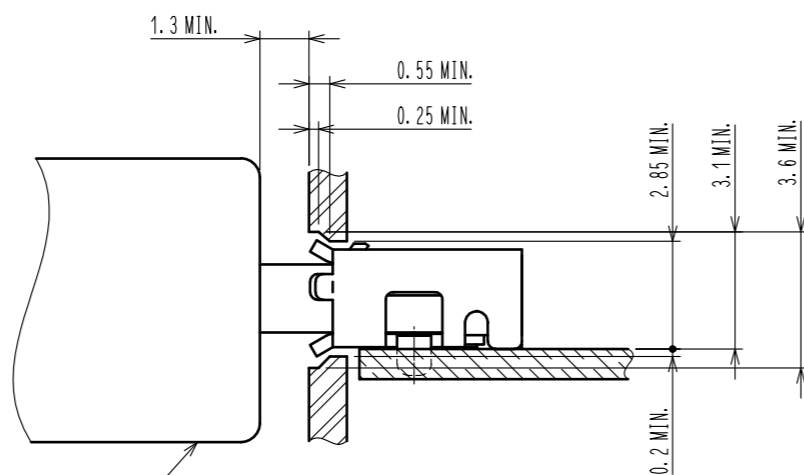
RECOMMENDED PANEL CUTOUT



PCB LAYOUT FOR REFERENCE.



MATED WITH CORRESPONDING PLUG



MicroUSB (TYPE B)  
 (HIROSE'S MICRO USB 'ZX SERIES')

<b>HRS</b>	DRAWING NO.	EDC-127028-30-00
	PART NO.	ZX360D-B-10P(30)
	CODE NO.	CL242-0500-1-30
		2/2

## X-ON Electronics

Largest Supplier of Electrical and Electronic Components

*Click to view similar products for [USB Connectors](#) category:*

*Click to view products by [Hirose](#) manufacturer:*

Other Similar products are found below :

[65-647-8-BK-BU](#) [950](#) [E8144-B01021-L](#) [A-USB A-LP-SMT-C](#) [A-USB B-TOP-C](#) [MUSBA511N5](#) [MUSBD11135](#) [217450-1](#) [CA 6 W LD](#)  
[KMBVX-TH-5S-B30](#) [896-30-004-00-000000](#) [KUSBVX-BS1N-W30](#) [KUSBX-AP-KIT-SCBLK](#) [KUSBX-AS2N-W](#) [KUSBX-SMT2AP1S-W](#)  
[KUSBX-SMT2AP1S-W30](#) [935](#) [957](#) [30-498-6](#) [17-210051](#) [1734082-1](#) [30-1574](#) [30-470](#) [30-489](#) [30-541](#) [30-572-3](#) [MAB 8 SN V](#) [A-USB A-](#)  
[2P-C](#) [MIKROE-1451](#) [USBFTV2PEM2G](#) [USBFTVC6ZN](#) [KUSBX-AS2N-W30](#) [KUSBX-SLAS1N-W](#) [KUSBX-SMT-AS1N-W30](#) [4689-1](#) [1-](#)  
[1734084-2](#) [E8110-001-01](#) [MUSBA81130](#) [33UBARS1-04SW11](#) [33UBAR-04SW11](#) [USBF21ZNSCC](#) [USBBFTV6ZC](#) [10135326-001LF](#)  
[M9177/3-1](#) [USB-A-S-F-B-VT](#) [925](#) [4198](#) [690-024-633-031](#) [KUSBEX-BSFS1N-W](#) [USBFTVC6MRG](#)