

Sep.1.2021 Copyright 2021 HIROSE ELECTRIC CO., LTD. All Rights Reserved.
In case of consideration for using Automotive equipment / device which demand high reliability, kindly contact our sales window correspondents.

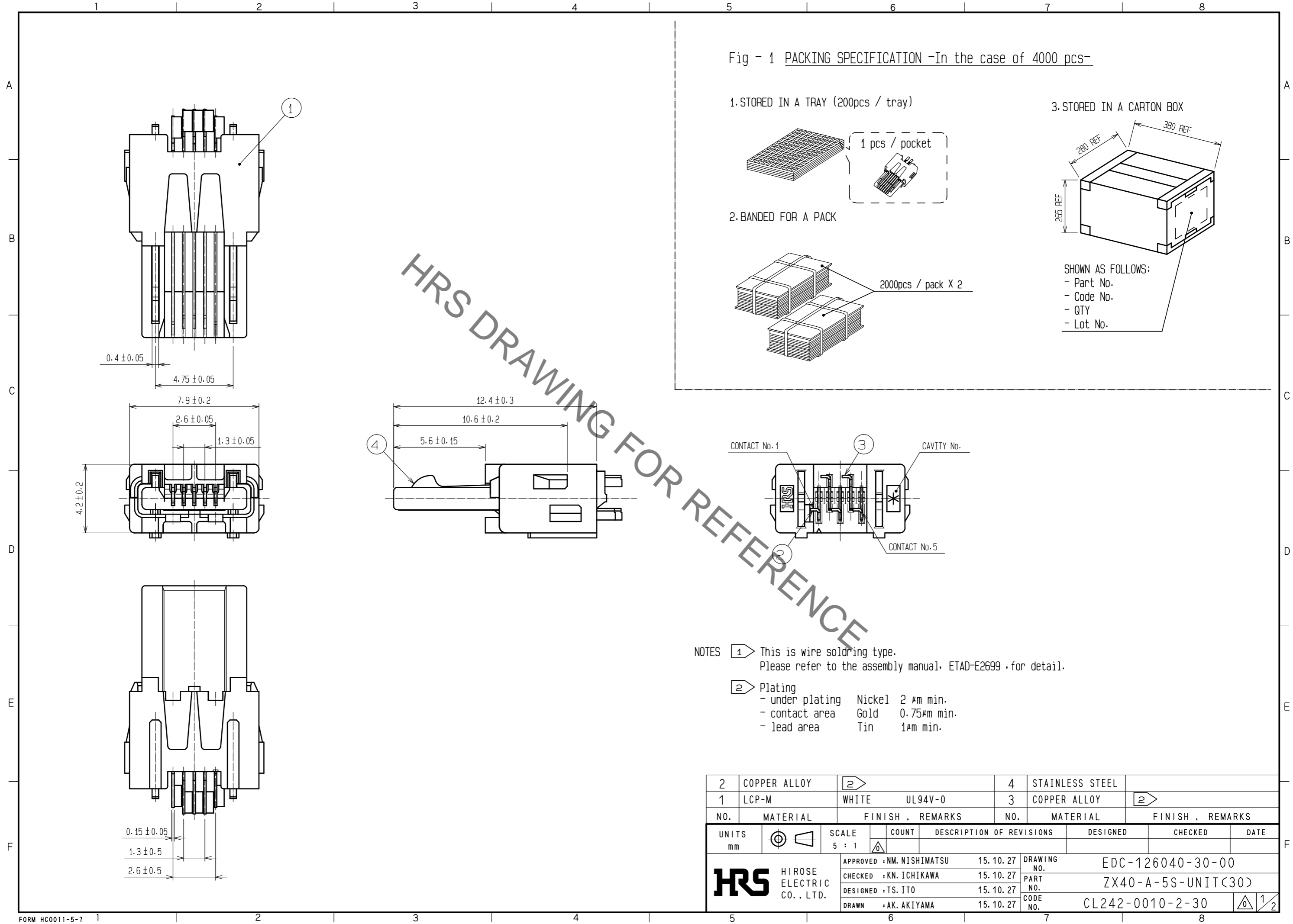
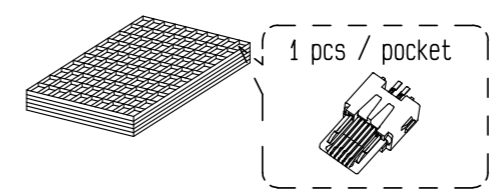
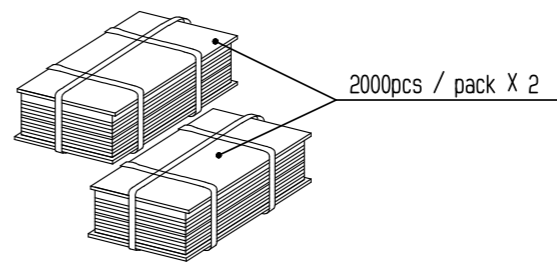


Fig - 1 PACKING SPECIFICATION -In the case of 4000 pcs-

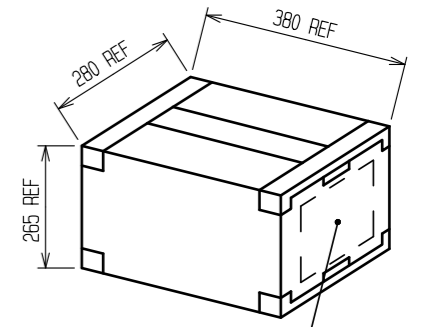
1. STORED IN A TRAY (200pcs / tray)



2. BANDED FOR A PACK



3. STORED IN A CARTON BOX



SHOWN AS FOLLOWS:
- Part No.
- Code No.
- QTY
- Lot No.

HRS DRAWING FOR REFERENCE

- NOTES
- ① This is wire soldering type.
Please refer to the assembly manual, ETAD-E2699, for detail.
 - ② Plating
 - under plating Nickel 2 μm min.
 - contact area Gold 0.75 μm min.
 - lead area Tin 1 μm min.

2	COPPER ALLOY	②	4	STAINLESS STEEL				
1	LCP-M	WHITE UL94V-0	3	COPPER ALLOY	②			
NO.	MATERIAL	FINISH . REMARKS	NO.	MATERIAL	FINISH . REMARKS			
UNITS	⊕	SCALE	COUNT	DESCRIPTION OF REVISIONS		DESIGNED	CHECKED	DATE
mm		5 : 1	△					
APPROVED : NM. NISHIMATSU		15.10.27	DRAWING NO.		EDC-126040-30-00			
CHECKED : KN. ICHIKAWA		15.10.27	PART NO.		ZX40-A-5S-UNIT(30)			
DESIGNED : TS. ITO		15.10.27	CODE NO.		CL242-0010-2-30			
DRAWN : AK. AKIYAMA		15.10.27			1/2			

Sep.1.2021 Copyright 2021 HIROSE ELECTRIC CO., LTD. All Rights Reserved.
In case of consideration for using Automotive equipment / device which demand high reliability, kindly contact our sales window correspondents.

3 Fig - 2 SHIELDING-PLATE ASSEMBLY

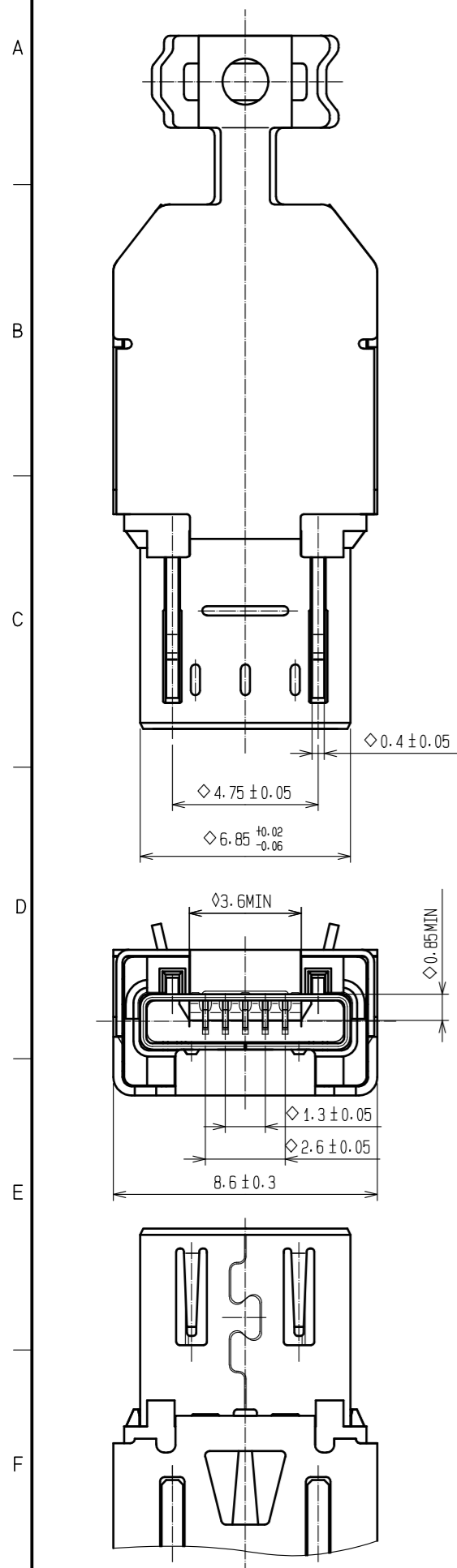
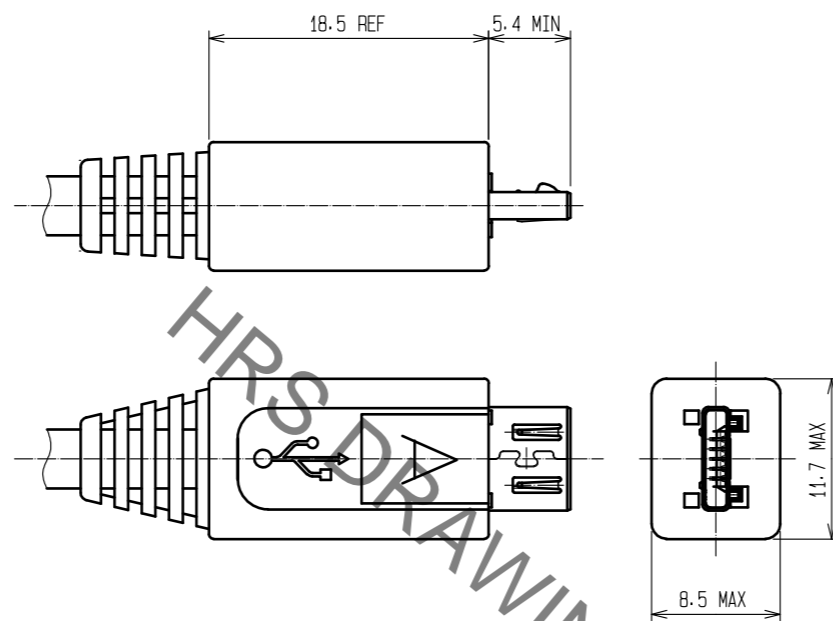
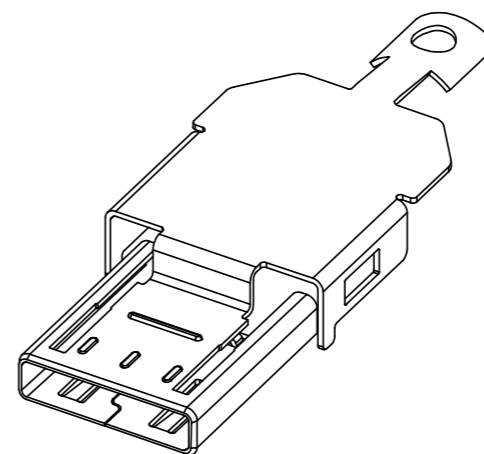


Fig - 3 OVER-MOLDING
(Refer to USB specification)

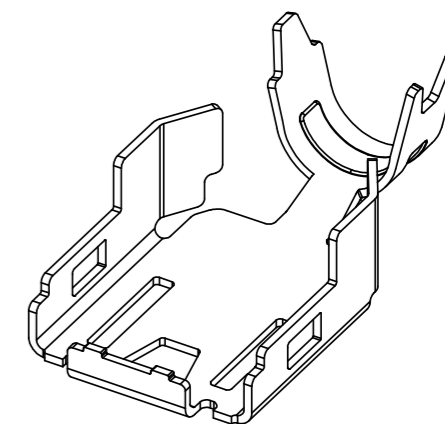


3 ZX40-A-SLDA
Code No. CL242-0011-5



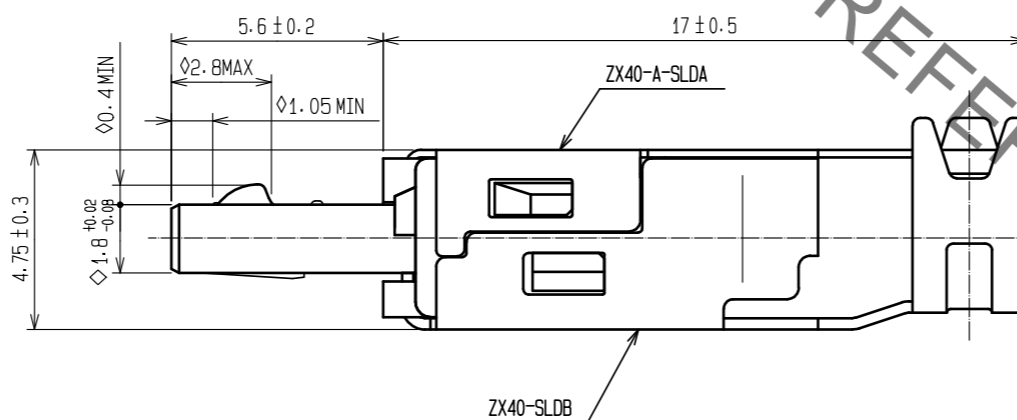
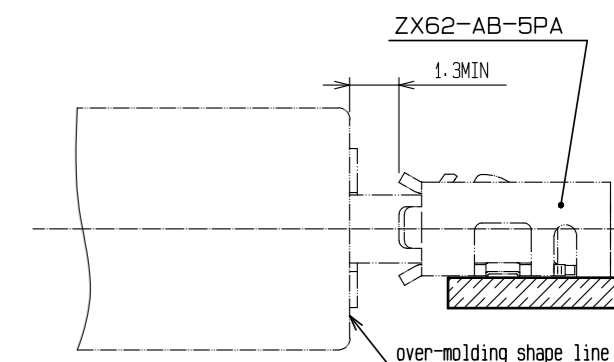
Note:
- Sold separately
- Delivered by the reel

3 ZX40-SLDB
Code No. CL242-0004-0



Note:
- Sold separately
- Delivered by the reel
- Applied to $\phi 3.8$ mm cable

Fig - 4 MATED CONDITION



NOTES 3 Shielding-plates, ZX40-A-SLDA and ZX40-SLDB, are used for assembly.
4 * ϕ *symbol added to each dimension means critical dimension on USB specification. Please check them after over-molding.

HRS	DRAWING NO.	EDC-126040-30-00
	PART NO.	ZX40-A-5S-UNIT(30)
	CODE NO.	CL242-0010-2-30
		\triangle 2/2

X-ON Electronics

Largest Supplier of Electrical and Electronic Components

Click to view similar products for [USB Connectors](#) category:

Click to view products by [Hirose](#) manufacturer:

Other Similar products are found below :

[65-647-8-BK-BU](#) [950](#) [E8144-B01021-L](#) [A-USB A-LP-SMT-C](#) [A-USB B-TOP-C](#) [MUSBA511N5](#) [MUSBD11135](#) [217450-1](#) [CA 6 W LD](#)
[KMBVX-TH-5S-B30](#) [896-30-004-00-000000](#) [KUSBVX-BS1N-W30](#) [KUSBX-AP-KIT-SCBLK](#) [KUSBX-AS2N-W](#) [KUSBX-SMT2AP1S-W](#)
[KUSBX-SMT2AP1S-W30](#) [935](#) [957](#) [30-498-6](#) [17-210051](#) [1734082-1](#) [30-1574](#) [30-470](#) [30-489](#) [30-541](#) [30-572-3](#) [MAB 8 SN V](#) [A-USB A-](#)
[2P-C](#) [MIKROE-1451](#) [USBFTV2PEM2G](#) [USBFTVC6ZN](#) [KUSBX-AS2N-W30](#) [KUSBX-SLAS1N-W](#) [KUSBX-SMT-AS1N-W30](#) [4689-1](#) [1-](#)
[1734084-2](#) [E8110-001-01](#) [MUSBA81130](#) [33UBARS1-04SW11](#) [33UBAR-04SW11](#) [USBF21ZNSCC](#) [USBBFTV6ZC](#) [10135326-001LF](#)
[M9177/3-1](#) [USB-A-S-F-B-VT](#) [925](#) [4198](#) [690-024-633-031](#) [KUSBEX-BSFS1N-W](#) [USBFTVC6MRG](#)