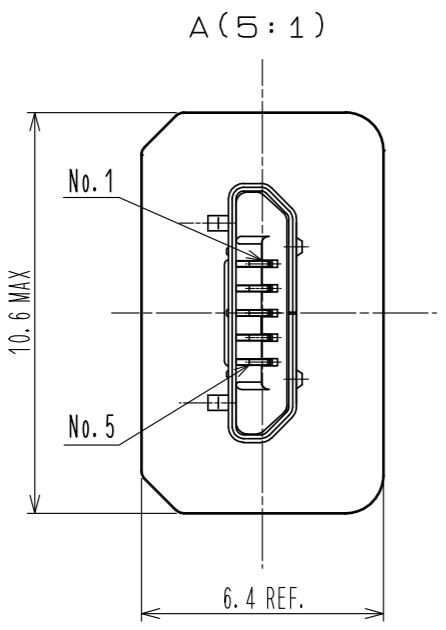
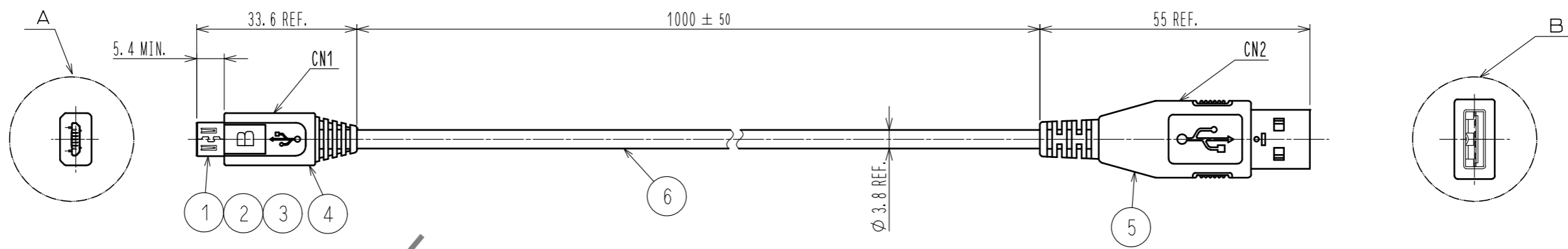
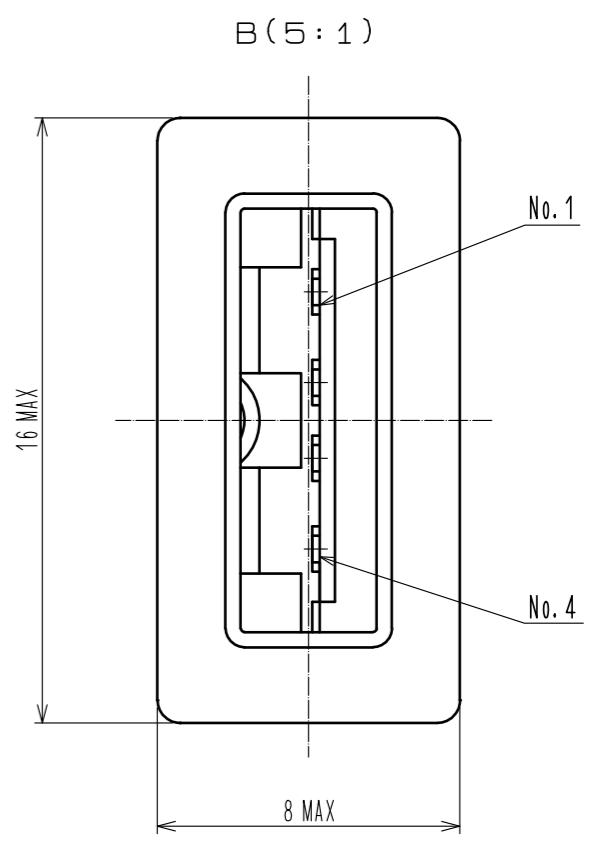


Sep.1.2021 Copyright 2021 HIROSE ELECTRIC CO., LTD. All Rights Reserved.
In case of consideration for using Automotive equipment / device which demand high reliability, kindly contact our sales window correspondents.



1 TABLE 1 WIRING DIAGRAM

CN1 CONTACT No.	1	2	3	4	5	SHELL
SIGNAL	Vcc	DATA-	DATA+	NON WIRING	GND	BRAIDED WIRE + DRAIN WIRE
WIRING COLOR	RED	WHITE	GREEN		BLACK	
CN2 CONTACT No.	1	2	3	4		SHELL



NOTE 1 REFER TO TABLE-1 FOR WIRING OF CN1 AND CN2.
2 THIS PRODUCT IS USING THE CABLE MADE FORM LTK INTERNATIONAL LIMITED, AND Q-USB-156D.

3	CONNECTOR	ZX40-SLDB	6	INTERFACE CABLE	BLACK 2			
2	CONNECTOR	ZX40-B-SLDA	5	CONNECTOR	USB-A TYPE. BLACK			
1	CONNECTOR	ZX40-B-5S-UNIT(31)	4	PVC	BLACK			
NO.	MATERIAL	FINISH . REMARKS	NO.	MATERIAL	FINISH . REMARKS			
UNITS mm		SCALE 1 : 1	COUNT 	DESCRIPTION OF REVISIONS		DESIGNED	CHECKED	DATE
HRS HIROSE ELECTRIC CO., LTD.		APPROVED : NM. NISHIMATSU	15.10.27	DRAWING NO. EDC-126177-30-00				
		CHECKED : KN. ICHIKAWA	15.10.27	PART NO. ZX40-B-5S-1000-STDA(30)				
		DESIGNED : TS. ITO	15.10.27	CODE NO. CL242-1001-7-30				
		DRAWN : AK. AKIYAMA	15.10.27					

X-ON Electronics

Largest Supplier of Electrical and Electronic Components

Click to view similar products for [USB Cables / IEEE 1394 Cables](#) category:

Click to view products by [Hirose](#) manufacturer:

Other Similar products are found below :

[68768-0173](#) [FNY-W6003-01](#) [88764-0800](#) [148700-1](#) [17-200621](#) [17-250051P](#) [954](#) [17-200261](#) [AC102012-1](#) [AC102012-2](#) [FTP-629Y601](#) [45-1345-15](#) [45-1358-15](#) [45-1363-15](#) [IP-USB1\(C10\)S-RW](#) [CABLE/RTP/USB/DT](#) [45-1351-15](#) [45-1357-15](#) [45-1433-1](#) [687680278](#)
[USBFTVX2SA2N03A](#) [USBFTV2SA2N03A](#) [USBFTV2SA2N05A](#) [MDM9PH004B](#) [MDM9PH004P](#) [FTP-629Y401](#) [FTP-628Y302](#) [FTP-628Y402](#) [CSMNB9MF-5](#) [FNY-W6022](#) [UA-30AMF-SD7B03](#) [UA-30AMFM-SL7B03](#) [USBAPSCC7202A](#) [UES-1001A160](#) [UES-1003A160](#)
[USBFTVX7SA2N20A](#) [USBFTV2PEMSA2N10A](#) [FTP-629Y602](#) [USBCAMCM100](#) [USB A/F*2 to 2.54 2*5P-SH L=400mm](#) [68784-0075](#)
[USB-29](#) [19800-010500-200-RS](#) [103-1092-BL-F0050](#) [103-1020-BL-00100](#) [103-1092-BL-F0200](#) [103-1092-BL-F0100](#) [105-1092-BL-00300](#)
[105-1092-BL-00200](#) [105-1031-BL-00200](#)