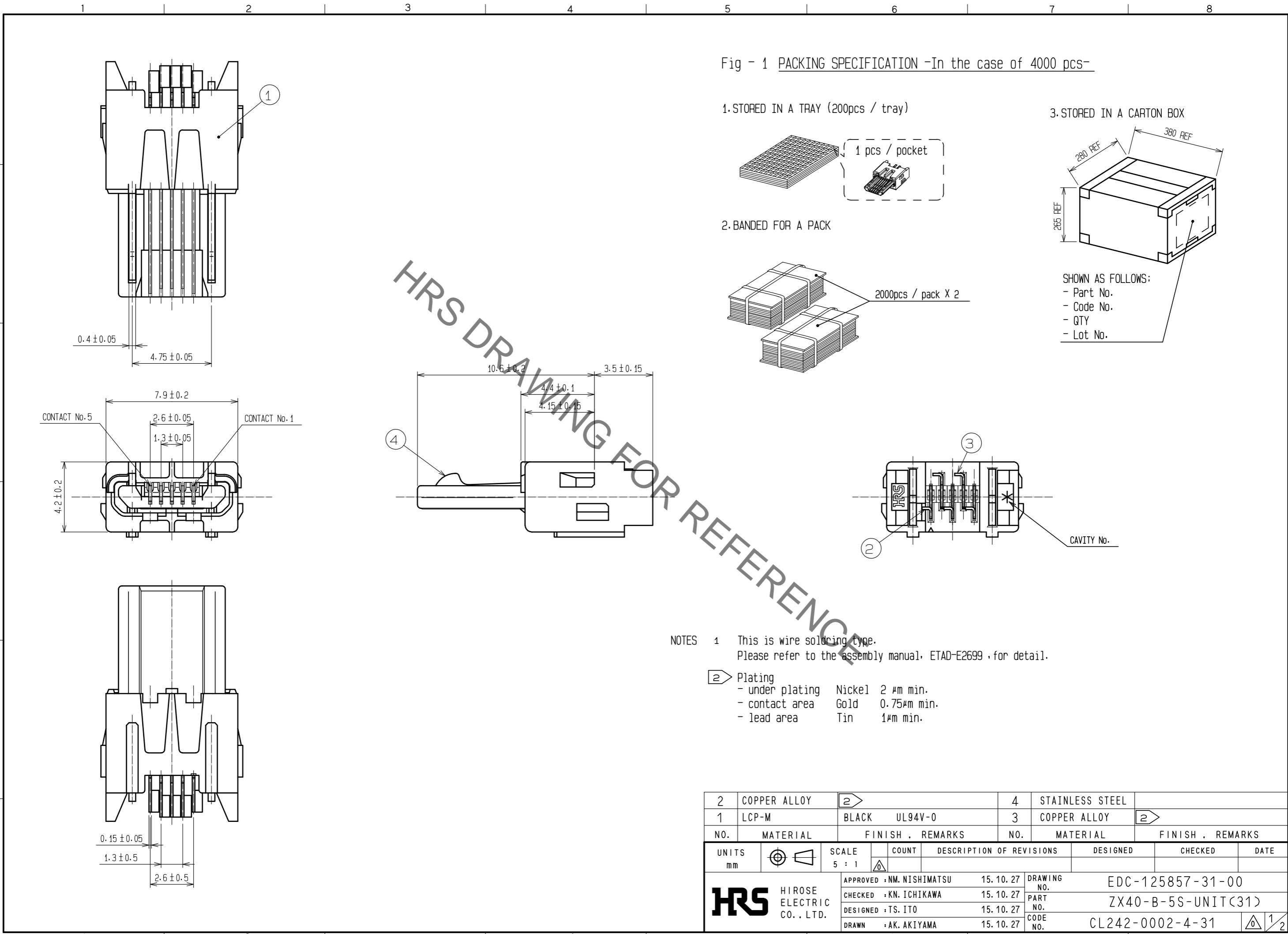


Sep.1.2021 Copyright 2021 HIROSE ELECTRIC CO., LTD. All Rights Reserved.  
In case of consideration for using Automotive equipment / device which demand high reliability, kindly contact our sales window correspondents.



2	COPPER ALLOY	2	4	STAINLESS STEEL				
1	LCP-M	BLACK UL94V-0	3	COPPER ALLOY				
NO.	MATERIAL	FINISH . REMARKS	NO.	MATERIAL	FINISH . REMARKS			
UNITS	mm	SCALE	5 : 1	COUNT	DESCRIPTION OF REVISIONS	DESIGNED	CHECKED	DATE
APPROVED : NM. NISHIMATSU		15.10.27		DRAWING NO.		EDC-125857-31-00		
CHECKED : KN. ICHIKAWA		15.10.27		PART NO.		ZX40-B-5S-UNIT(31)		
DESIGNED : TS. ITO		15.10.27		CODE NO.		CL242-0002-4-31		
DRAWN : AK. AKIYAMA		15.10.27				1/2		

Sep.1.2021 Copyright 2021 HIROSE ELECTRIC CO., LTD. All Rights Reserved.  
In case of consideration for using Automotive equipment / device which demand high reliability, kindly contact our sales window correspondents.

Fig - 2 SHIELDING-PLATE ASSEMBLY

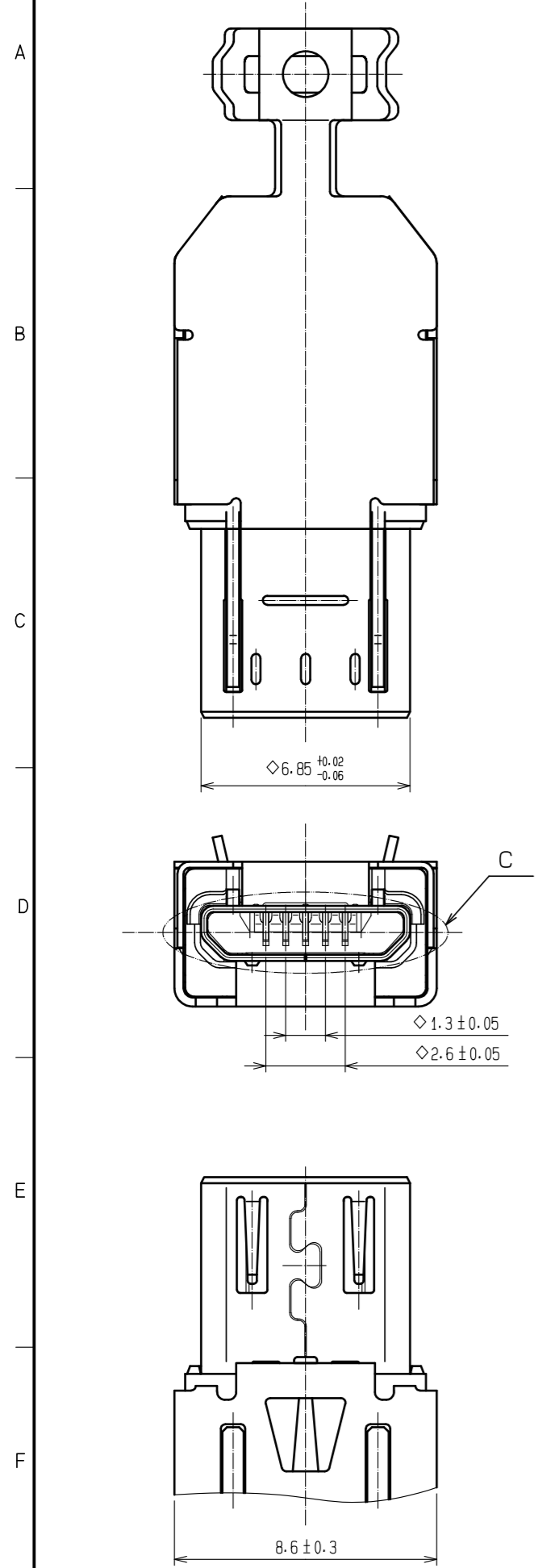
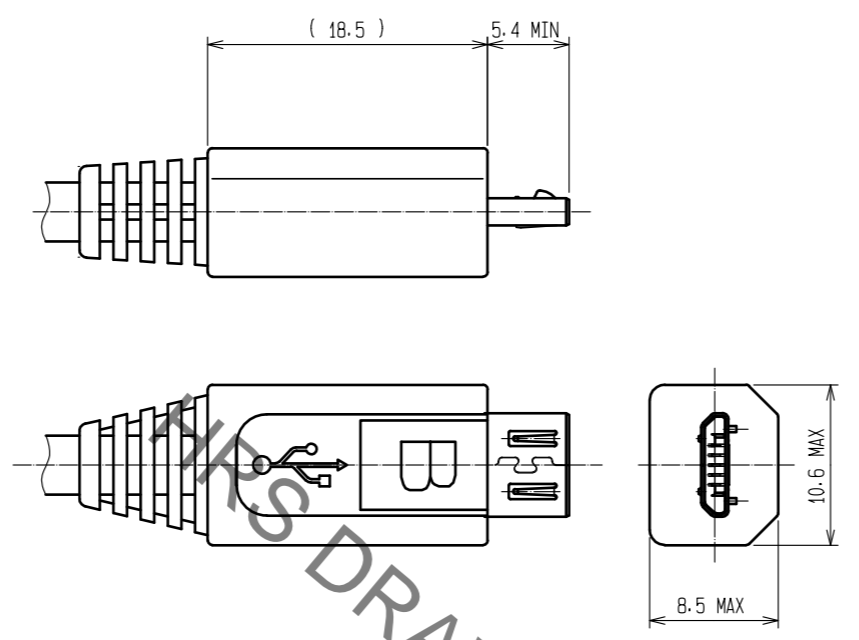


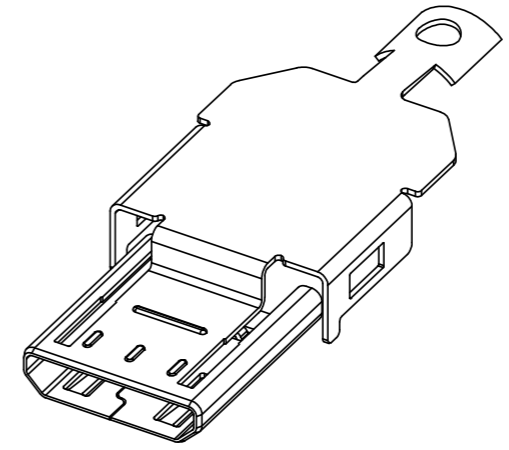
Fig - 3 OVER-MOLDING

(Refer to USB specification)



ZX40-B-SLDA

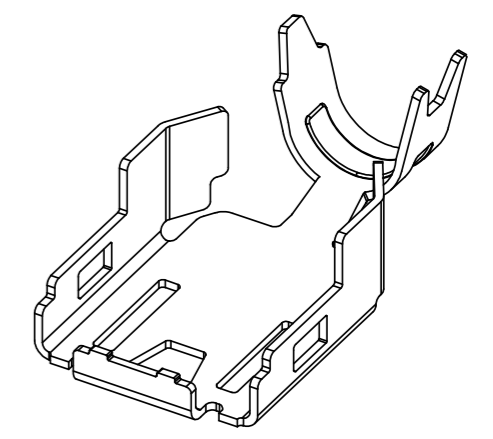
Code No. CL242-0003-7



Note:  
- Sold separately  
- Delivered by the reel

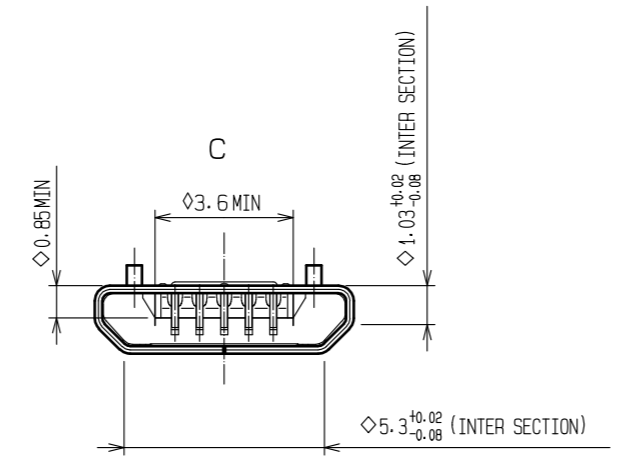
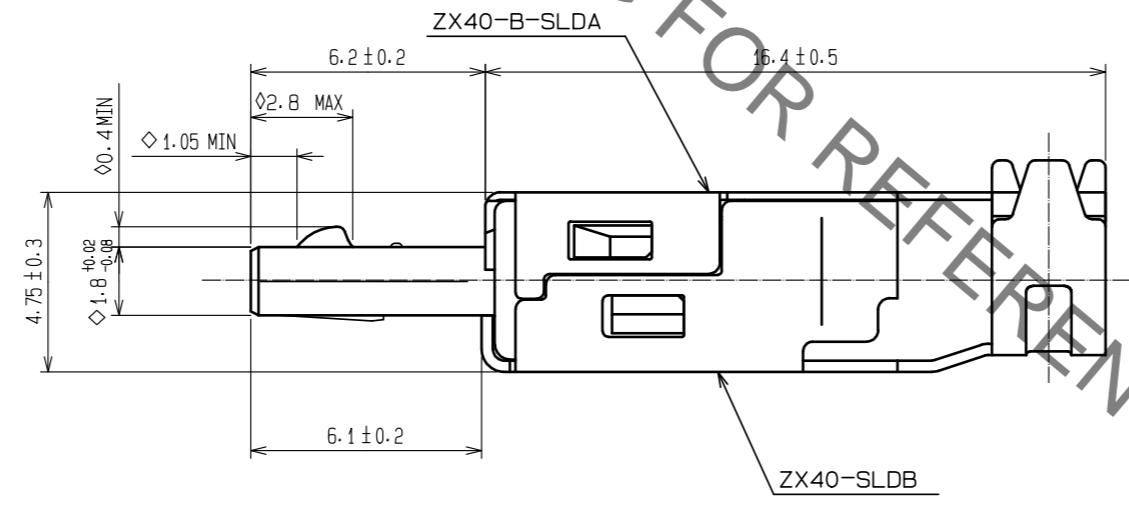
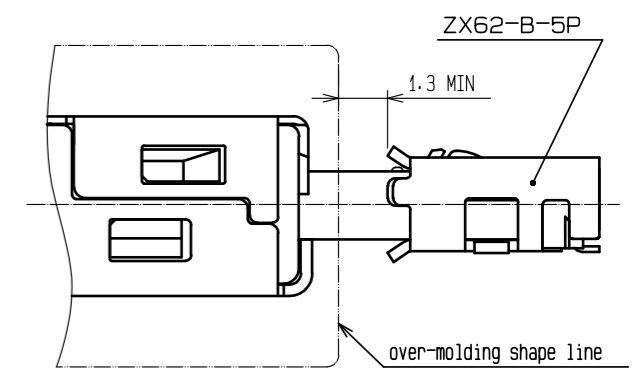
ZX40-SLDB

Code No. CL242-0004-0



Note:  
- Sold separately  
- Delivered by the reel  
- Applied to  $\phi 3.8 \text{ mm}$  cable

Fig - 4 MATED CONDITION



NOTES 3 Shielding-plates, ZX40-B-SLDA and ZX40-SLDB, are used for assembly.  
4 \* $\diamond$ \* symbol added to each dimension means critical dimension on USB specification. Please check them after over-molding.

<b>HRS</b>	DRAWING NO.	EDC-125857-31-00	2/2
	PART NO.	ZX40-B-5S-UNIT(31)	
	CODE NO.	CL242-0002-4-31	

## X-ON Electronics

Largest Supplier of Electrical and Electronic Components

*Click to view similar products for [USB Connectors](#) category:*

*Click to view products by [Hirose](#) manufacturer:*

Other Similar products are found below :

[65-647-8-BK-BU](#) [950](#) [E8144-B01021-L](#) [A-USB A-LP-SMT-C](#) [A-USB B-TOP-C](#) [MUSBA511N5](#) [MUSBD11135](#) [217450-1](#) [CA 6 W LD](#)  
[KMBVX-TH-5S-B30](#) [896-30-004-00-000000](#) [KUSBVX-BS1N-W30](#) [KUSBX-AP-KIT-SCBLK](#) [KUSBX-AS2N-W](#) [KUSBX-SMT2AP1S-W](#)  
[KUSBX-SMT2AP1S-W30](#) [935](#) [957](#) [30-498-6](#) [17-210051](#) [1734082-1](#) [30-1574](#) [30-470](#) [30-489](#) [30-541](#) [30-572-3](#) [MAB 8 SN V](#) [A-USB A-](#)  
[2P-C](#) [MIKROE-1451](#) [USBFTV2PEM2G](#) [USBFTVC6ZN](#) [KUSBX-AS2N-W30](#) [KUSBX-SLAS1N-W](#) [KUSBX-SMT-AS1N-W30](#) [4689-1](#) [1-](#)  
[1734084-2](#) [E8110-001-01](#) [MUSBA81130](#) [33UBARS1-04SW11](#) [33UBAR-04SW11](#) [USBF21ZNSCC](#) [USBBFTV6ZC](#) [10135326-001LF](#)  
[M9177/3-1](#) [USB-A-S-F-B-VT](#) [925](#) [4198](#) [690-024-633-031](#) [KUSBEX-BSFS1N-W](#) [USBFTVC6MRG](#)