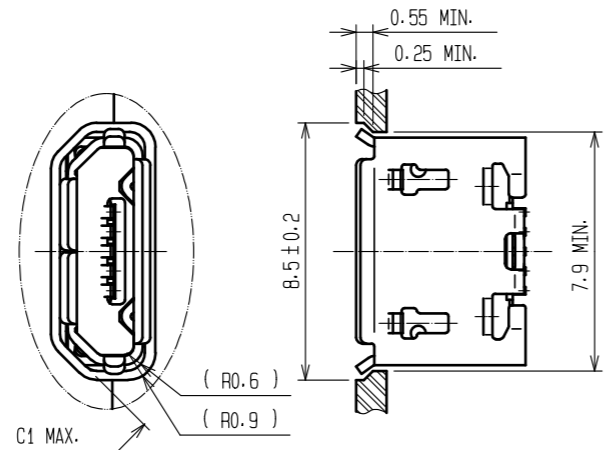
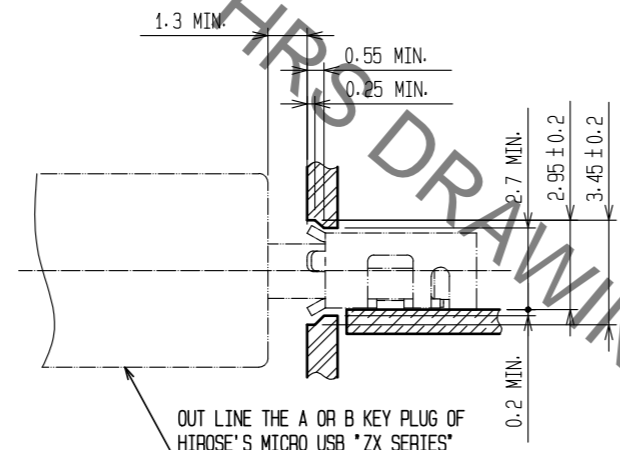


Sep.1.2021 Copyright 2021 HIROSE ELECTRIC CO., LTD. All Rights Reserved.
 In case of consideration for using Automotive equipment / device which demand high reliability, kindly contact our sales window correspondents.

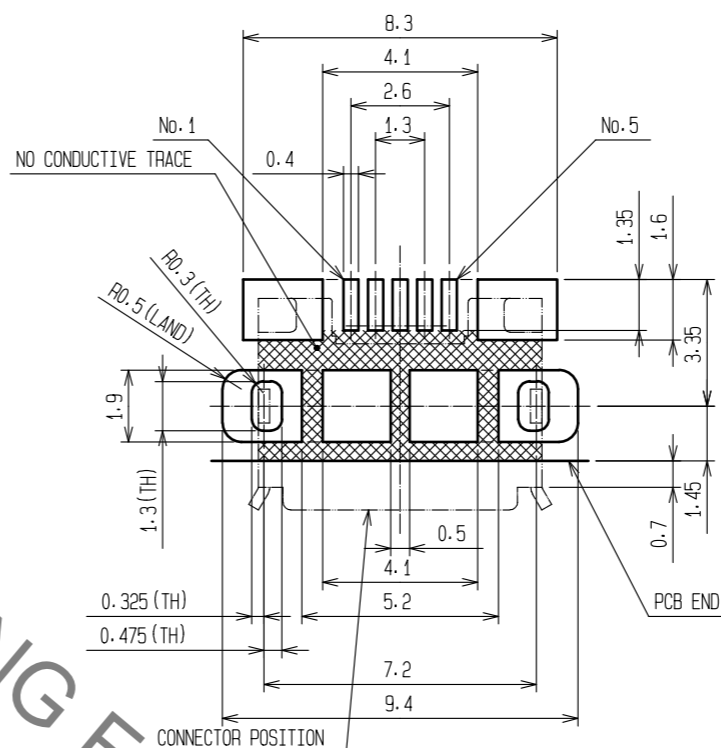
RECOMMENDED PANEL CUTOUT(4:1)



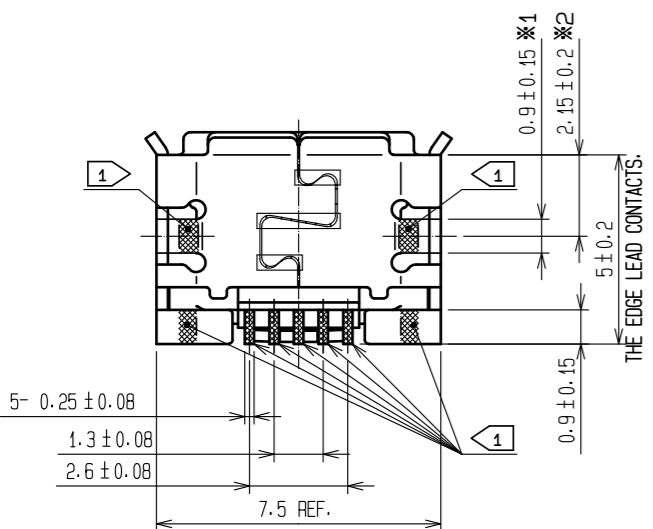
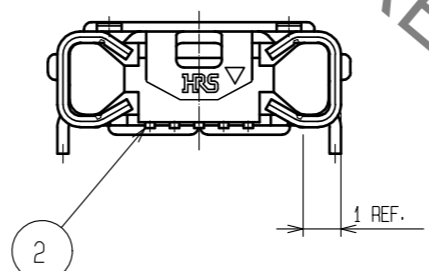
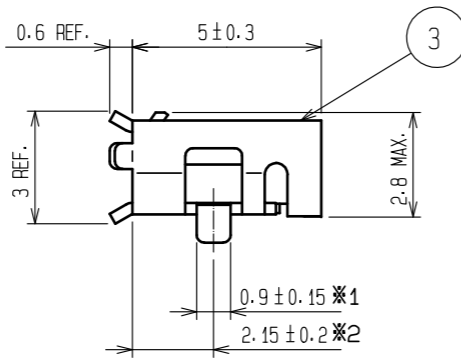
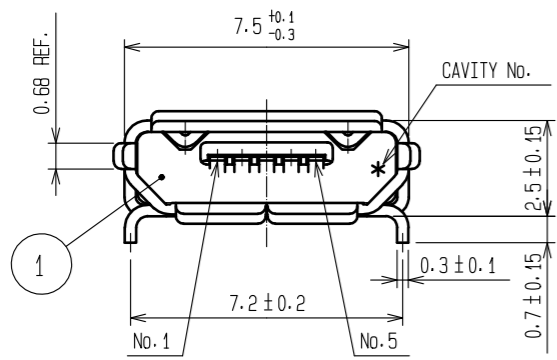
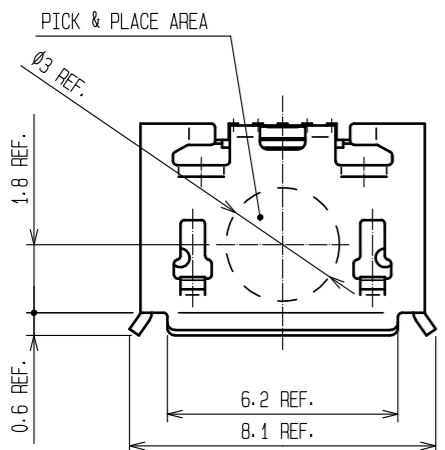
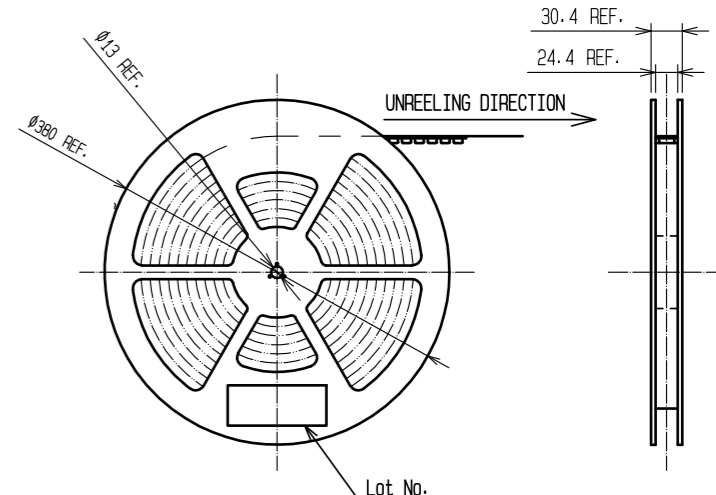
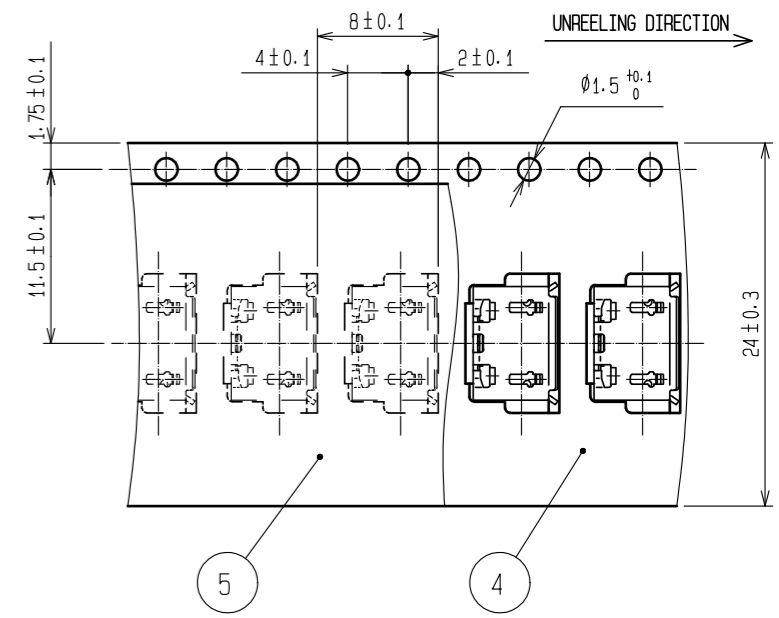
MATED WITH CORRESPONDING PLUG(4:1)



RECOMMENDED PC BOARD PATTERN



DRAWING FOR PACKING(FREE)



- NOTES.
- 1 PARTS CO-PLANARITY IS WITHIN 0.08mm MAX.
 - 2 PLATING
 CONTACT AREA : GOLD 0.75µm MIN.
 LEAD AREA : GOLD 0.05µm MIN.
 UNDER PLATING: NICKEL 2µm MIN.
 - 3 PER REEL : 3000 pcs.
 - 4. INTERFACE DIMENSIONS TO USB2.0 SPECIFICATION.
 - * INDICATES DUPLICATED DIMENSION.
 - 6. AS FOR PART No.3, THE PERFORMANCE REMAINS GOOD EVEN IF THERE IS A RUBBING WOUND BY THE ASSEMBLY PROCESS.
 - 7. AS FOR PART No.3, THERE IS NO PROBLEM ON THE QUALITY THOUGH THERE MIGHT BE A DIFFERENCE IN THE COLOR DEPENDING ON THE PLATING PROCESSING LOT.

| | | | | | |
|------------------------------------|--------------|------------------|------------------------------|-----------------|--------------------------------|
| 2 | COPPER ALLOY | 2 | 5 | PE | |
| 1 | LCP | BLACK UL94V-0 | 4 | PS | |
| | | | 3 | STAINLESS STEEL | TIN PLATING 1µm MIN. LUBRICANT |
| NO. | MATERIAL | FINISH . REMARKS | NO. | MATERIAL | FINISH . REMARKS |
| UNITS | mm | SCALE | 5 : 1 | COUNT | DESCRIPTION OF REVISIONS |
| | | | | | DESIGNED |
| | | | | | CHECKED |
| | | | | | DATE |
| APPROVED : NM. NISHIMATSU 15.10.27 | | | DRAWING NO. EDC-126572-30-00 | | |
| CHECKED : KN. ICHIKAWA 15.10.27 | | | PART NO. ZX62D1-B-5PA(30) | | |
| DESIGNED : TS. ITO 15.10.27 | | | CODE NO. CL242-0048-5-30 | | |
| DRAWN : AK. AKIYAMA 15.10.27 | | | 1/1 | | |

X-ON Electronics

Largest Supplier of Electrical and Electronic Components

Click to view similar products for [USB Connectors](#) category:

Click to view products by [Hirose](#) manufacturer:

Other Similar products are found below :

[65-647-8-BK-BU](#) [950](#) [E8144-B01021-L](#) [A-USB A-LP-SMT-C](#) [A-USB B-TOP-C](#) [MUSBA511N5](#) [MUSBD11135](#) [217450-1](#) [CA 6 W LD](#)
[KMBVX-TH-5S-B30](#) [896-30-004-00-000000](#) [KUSBVX-BS1N-W30](#) [KUSBX-AP-KIT-SCBLK](#) [KUSBX-AS2N-W](#) [KUSBX-SMT2AP1S-W](#)
[KUSBX-SMT2AP1S-W30](#) [935](#) [957](#) [30-498-6](#) [17-210051](#) [1734082-1](#) [30-1574](#) [30-470](#) [30-489](#) [30-541](#) [30-572-3](#) [MAB 8 SN V](#) [A-USB A-](#)
[2P-C](#) [MIKROE-1451](#) [USBFTV2PEM2G](#) [USBFTVC6ZN](#) [KUSBX-AS2N-W30](#) [KUSBX-SLAS1N-W](#) [KUSBX-SMT-AS1N-W30](#) [4689-1](#) [1-](#)
[1734084-2](#) [E8110-001-01](#) [MUSBA81130](#) [33UBARS1-04SW11](#) [33UBAR-04SW11](#) [USBF21ZNSCC](#) [USBBFTV6ZC](#) [10135326-001LF](#)
[M9177/3-1](#) [USB-A-S-F-B-VT](#) [925](#) [4198](#) [690-024-633-031](#) [KUSBEX-BSFS1N-W](#) [USBFTVC6MRG](#)