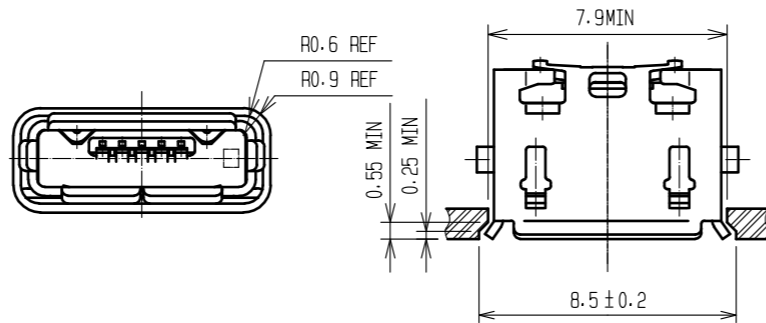
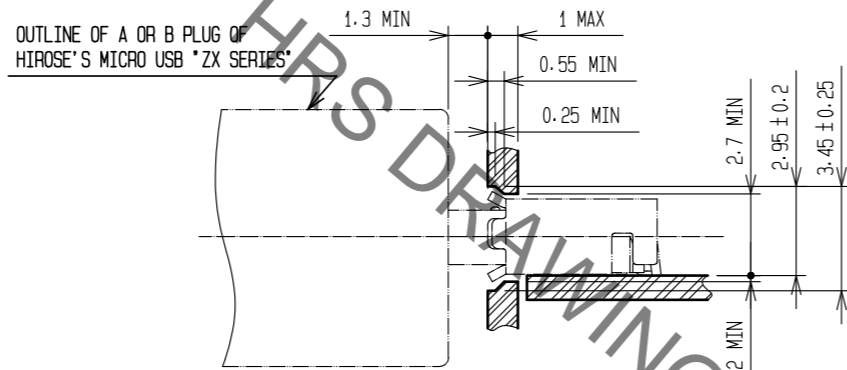


Aug.1.2021 Copyright 2021 HIROSE ELECTRIC CO., LTD. All Rights Reserved.  
In case of consideration for using Automotive equipment / device which demand high reliability, kindly contact our sales window correspondents.

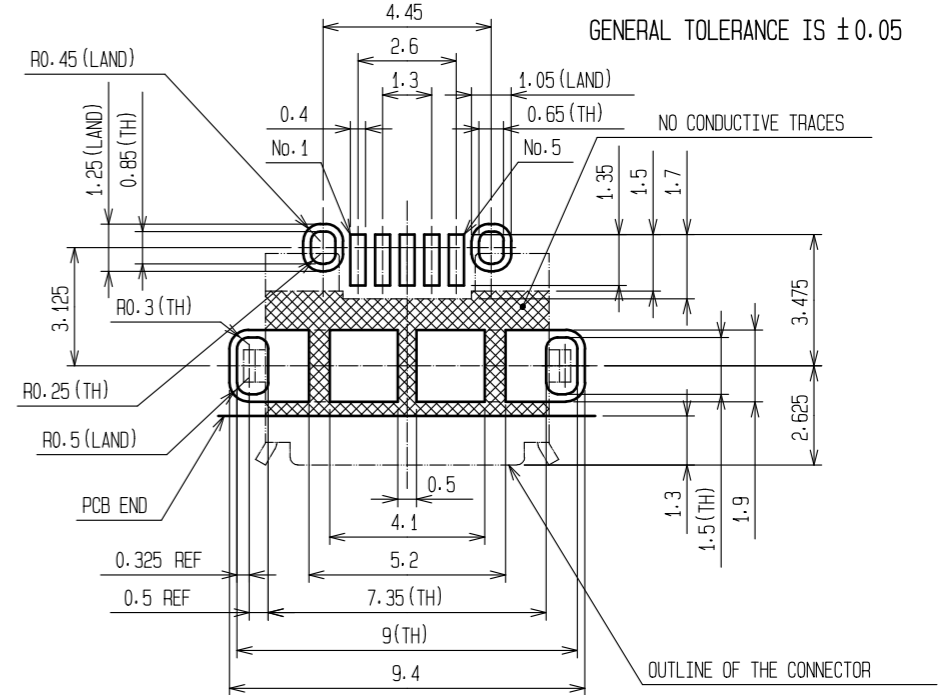
RECOMMENDED PANEL CUTOUT(4:1)



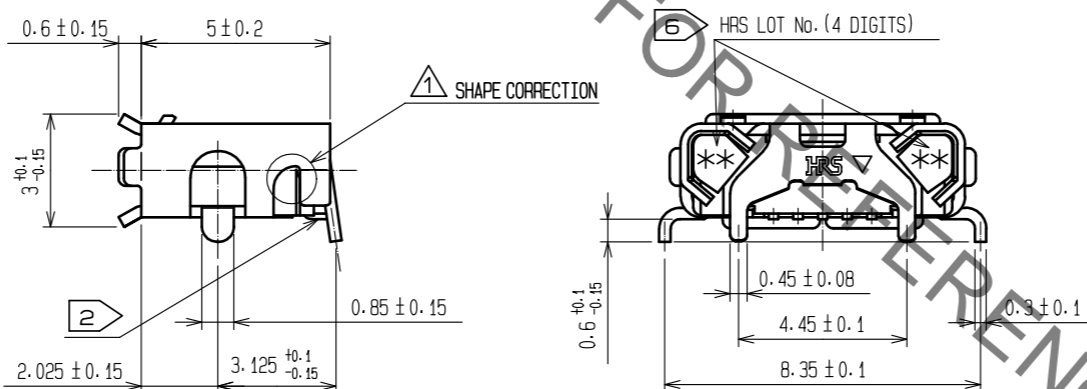
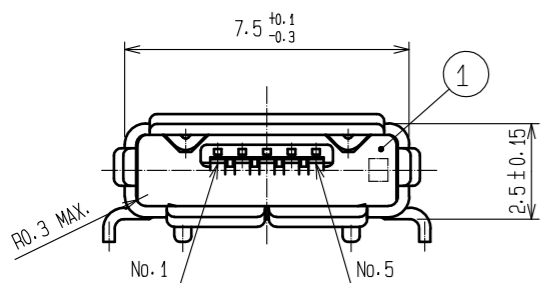
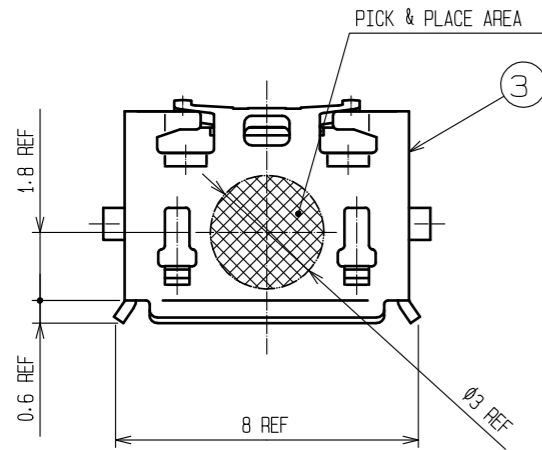
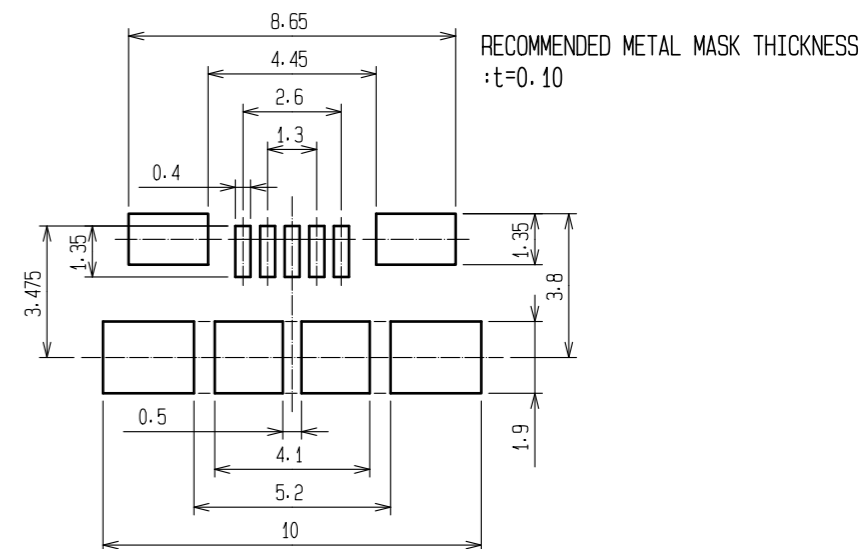
MATED WITH CORRESPONDING PLUG(4:1)



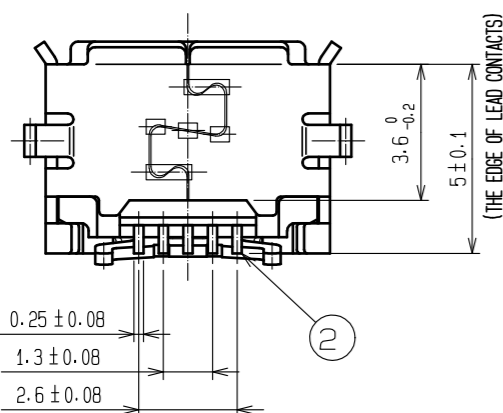
RECOMMENDED PATTERN



RECOMMENDED METAL MASK OPENING



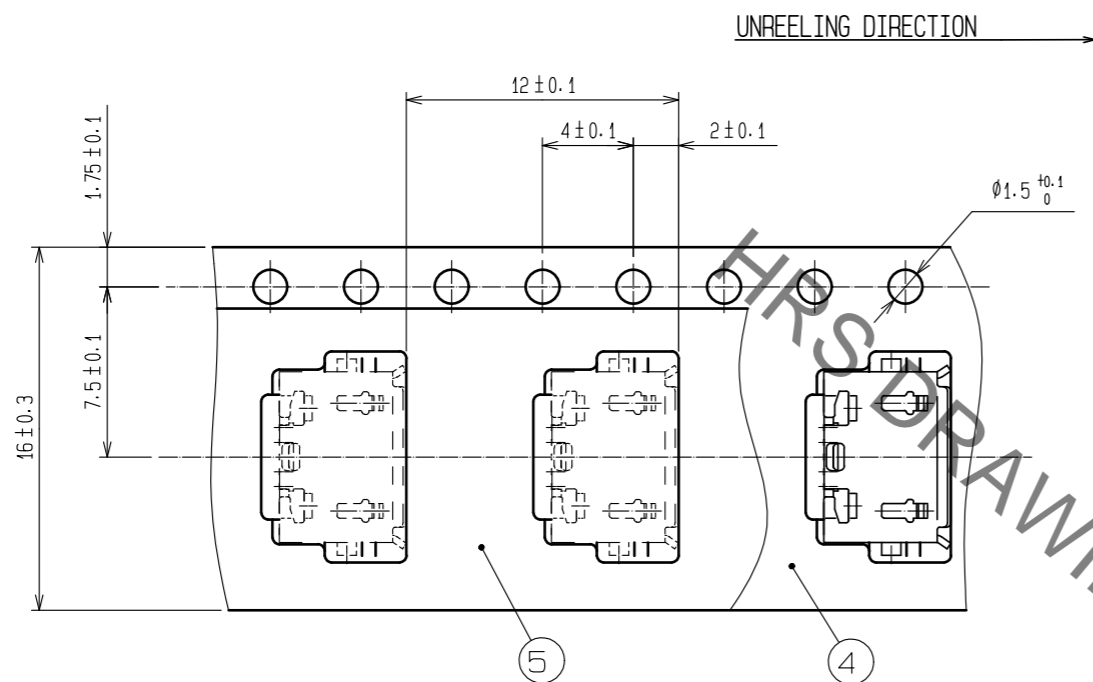
- NOTES
- 1 INTERFACE DIMENSIONS CONFORMS TO USB2.0 SPECIFICATION.
  - 2 CO-PLANARITY IS WITHIN 0.08mm.
  - 3 PLATING  
CONTACT AREA : GOLD 0.75μm MIN.  
LEAD AREA : GOLD 0.05μm MIN.  
UNDER PLATING: NICKEL 2μm MIN.
  - 4 PER REEL : 2000 pcs.
  - 5 AS FOR PART No.3, THE PERFORMANCE REMAINS GOOD EVEN IF THERE IS A RUBBING WOUND BY THE ASSEMBLY PROCESS, AND THE PERFORMANCE REMAINS GOOD EVEN IF THERE IS A DIFFERENCE OF THE COLOR OF PLATING WITH THE MANUFACTURING LOT.
  - 6 CODE CONFIGURATION IS SHOWN IN FIG.1.



|                           |              |          |                    |             |                 |  |            |               |          |
|---------------------------|--------------|----------|--------------------|-------------|-----------------|--|------------|---------------|----------|
| 2                         | COPPER ALLOY | 3        |                    | 5           | PE              |  |            |               |          |
| 1                         | LCP          |          | COLOR GRAY UL94V-0 | 4           | PS              |  |            |               |          |
|                           |              |          |                    | 3           | STAINLESS STEEL | UNDER PLATING : NICKEL<br>MOUNTING AREA : TIN<br>LUBRICANT |            |               |          |
| NO.                       | MATERIAL     | FINISH . | REMARKS            | NO.         | MATERIAL        | FINISH .   | REMARKS    |               |          |
| UNITS                     | mm           | SCALE    | 5 : 1              | COUNT       | 1               | DESCRIPTION OF REVISIONS                                   | DESIGNED   | CHECKED       | DATE     |
|                           |              |          |                    |             |                 | DIS-E-00001951   | SH. KOYAMA | TU. TANIGUCHI | 20181129 |
| APPROVED : NM. NISHIMATSU |              | 20151027 |                    | DRAWING NO. |                 | EDC-126264-30-00   |            |               |          |
| CHECKED : KN. ICHIKAWA    |              | 20151027 |                    | PART NO.    |                 | ZX62D-AB-5P8(30)   |            |               |          |
| DESIGNED : TS. ITO        |              | 20151027 |                    | CODE NO.    |                 | CL242-0027-5-30  |            |               |          |
| DRAWN : AK. AKIYAMA       |              | 20151027 |                    |             |                 |  |            |               |          |

Aug.1.2021 Copyright 2021 HIROSE ELECTRIC CO., LTD. All Rights Reserved.  
 In case of consideration for using Automotive equipment / device which demand high reliability, kindly contact our sales window correspondents.

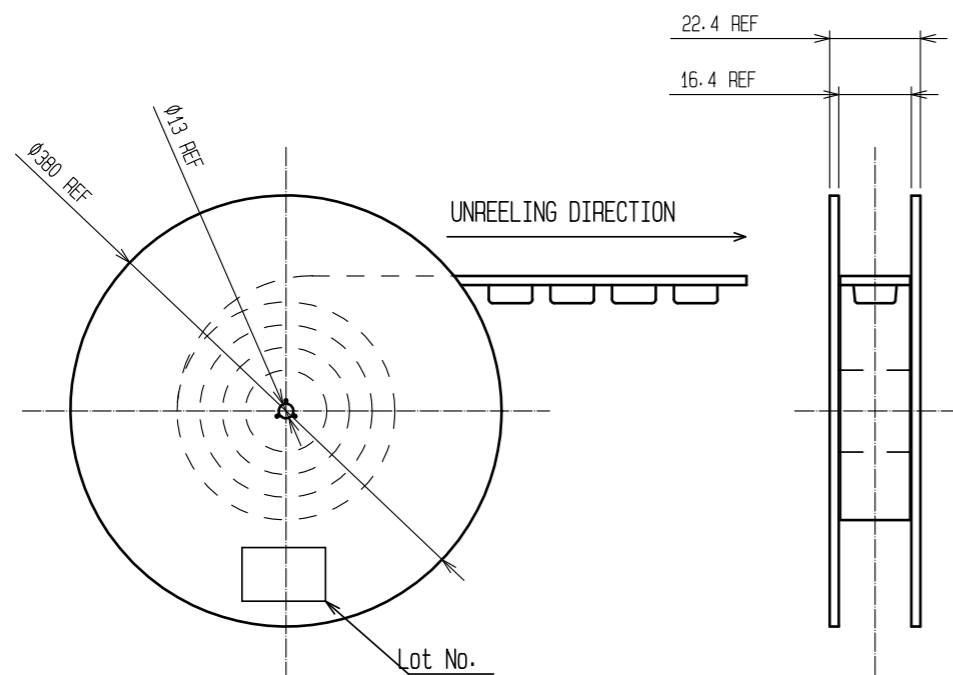
4 PACKING DETAIL (FREE)



6 FIG-1 LOT CODE CONFIGURATIONS FOR 4 DIGITS

| YEAR |      | MONTH |      | DAY |      |     |      |     |      | LINE No. |      |
|------|------|-------|------|-----|------|-----|------|-----|------|----------|------|
| YEAR | CODE | MONTH | CODE | DAY | CODE | DAY | CODE | DAY | CODE | LINE No. | CODE |
| 2007 | 7    | Jan.  | A    | 1   | 1    | 11  | B    | 21  | M    | 1        | A    |
| 2008 | 8    | Feb.  | B    | 2   | 2    | 12  | C    | 22  | N    | 2        | B    |
| 2009 | 9    | Mar.  | C    | 3   | 3    | 13  | D    | 23  | P    | 3        | C    |
| 2010 | 0    | Apr.  | D    | 4   | 4    | 14  | E    | 24  | Q    | 4        | D    |
| 2011 | 1    | May.  | E    | 5   | 5    | 15  | F    | 25  | R    | 5        | E    |
|      |      | Jun.  | F    | 6   | 6    | 16  | G    | 26  | S    | 6        | F    |
|      |      | Jul.  | G    | 7   | 7    | 17  | H    | 27  | T    | 7        | G    |
|      |      | Aug.  | H    | 8   | 8    | 18  | J    | 28  | U    | 8        | H    |
|      |      | Sep.  | I    | 9   | 9    | 19  | K    | 29  | V    | 9        | I    |
|      |      | Oct.  | J    | 10  | A    | 20  | L    | 30  | W    | 10       | J    |
|      |      | Nov.  | K    |     |      |     |      | 31  | X    | 11       | K    |
|      |      | Dec.  | L    |     |      |     |      |     |      |          |      |

REEL (FREE)



|            |             |                  |
|------------|-------------|------------------|
| <b>HRS</b> | DRAWING NO. | EDC-126264-30-00 |
|            | PART NO.    | ZX62D-AB-5P8(30) |
|            | CODE NO.    | CL242-0027-5-30  |

2/2

## X-ON Electronics

Largest Supplier of Electrical and Electronic Components

*Click to view similar products for [USB Connectors](#) category:*

*Click to view products by [Hirose](#) manufacturer:*

Other Similar products are found below :

[65-647-8-BK-BU](#) [950](#) [E8144-B01021-L](#) [A-USB A-LP-SMT-C](#) [A-USB B-TOP-C](#) [MUSBA511N5](#) [MUSBD11135](#) [217450-1](#) [CA 6 W LD](#)  
[KMBVX-TH-5S-B30](#) [896-30-004-00-000000](#) [KUSBVX-BS1N-W30](#) [KUSBX-AP-KIT-SCBLK](#) [KUSBX-AS2N-W](#) [KUSBX-SMT2AP1S-W](#)  
[KUSBX-SMT2AP1S-W30](#) [935](#) [957](#) [30-498-6](#) [17-210051](#) [1734082-1](#) [30-1574](#) [30-470](#) [30-489](#) [30-541](#) [30-572-3](#) [MAB 8 SN V](#) [A-USB A-](#)  
[2P-C](#) [MIKROE-1451](#) [USBFTV2PEM2G](#) [USBFTVC6ZN](#) [KUSBX-AS2N-W30](#) [KUSBX-SLAS1N-W](#) [KUSBX-SMT-AS1N-W30](#) [4689-1](#) [1-](#)  
[1734084-2](#) [E8110-001-01](#) [MUSBA81130](#) [33UBARS1-04SW11](#) [33UBAR-04SW11](#) [USBF21ZNSCC](#) [USBBFTV6ZC](#) [10135326-001LF](#)  
[M9177/3-1](#) [USB-A-S-F-B-VT](#) [925](#) [4198](#) [690-024-633-031](#) [KUSBEX-BSFS1N-W](#) [USBFTVC6MRG](#)