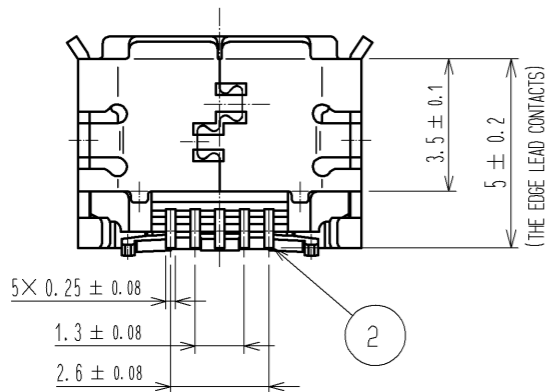
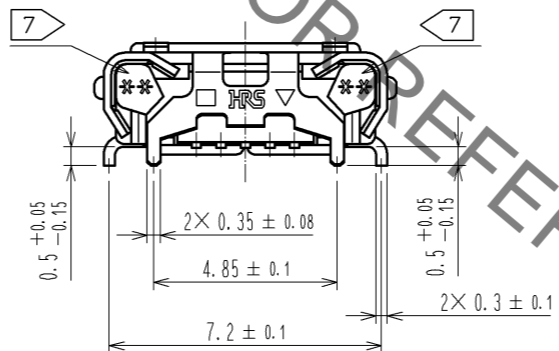
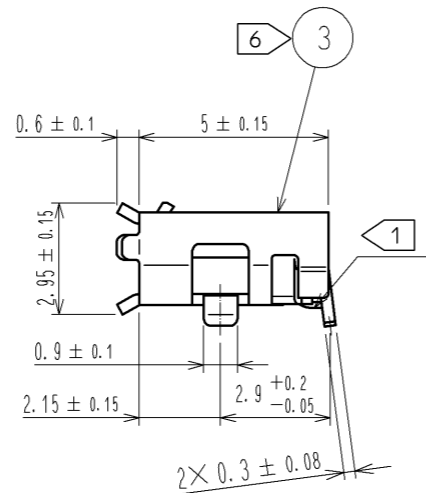
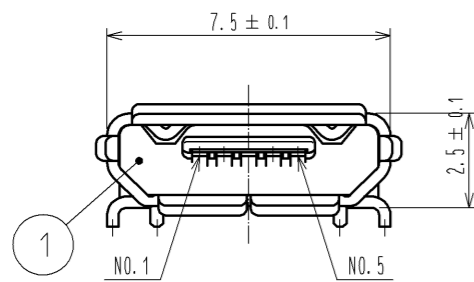
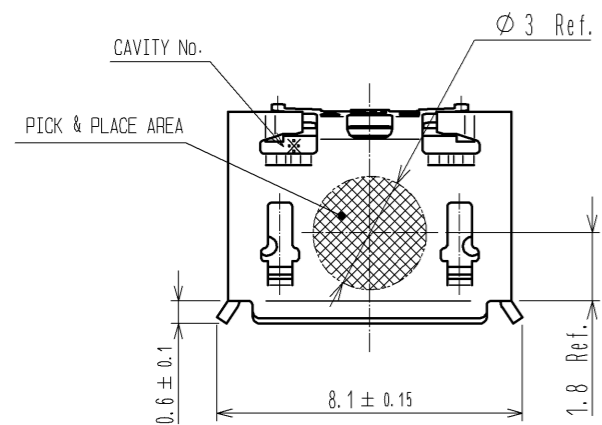


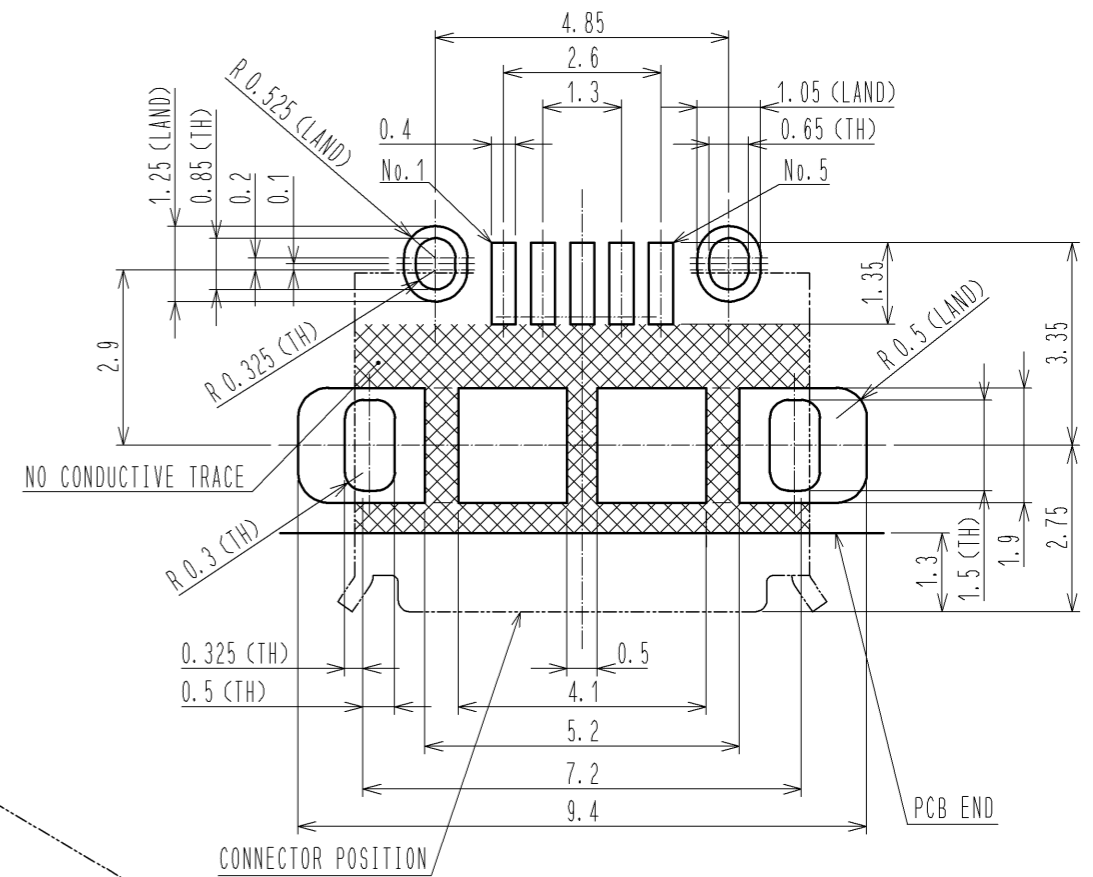
Sep.1.2021 Copyright 2021 HIROSE ELECTRIC CO., LTD. All Rights Reserved.  
In case of consideration for using Automotive equipment / device which demand high reliability, kindly contact our sales window correspondents.



**NOTES.**

- ① CO-PLANARITY IS WITHIN 0.08mm MAX.
- ② PLATING  
CONTACT AREA :GOLD 0.05µm MIN OVER PALLADIUM NICKEL 0.75µm MIN.  
LEAD AREA :GOLD 0.05µm MIN.  
UNDER PLATING:NICKEL 2µm MIN.
- ③ PER REEL : 3000 pcs.
- ④ INTERFACE DIMENSIONS TO USB2.0 SPECIFICATION.
- ⑤ AS FOR PART No.3, THE PERFORMANCE REMAINS GOOD EVEN IF THERE IS A RUBBING WOUND BY THE ASSEMBLY PROCESS.
- ⑥ AS FOR PART No.3, THERE IS NO PROBLEM ON THE QUALITY THOUGH THERE MIGHT BE A DIFFERENCE IN THE COLOR DEPENDING ON THE PLATING PROCESSING LOT.
- ⑦ CODE CONFIGURATION IS SHOWN IN FIG.1.

**PCB BOARD PATTERN FOR REFERENCE(FREE)**



GENERAL TOLERANCE IS ±0.05mm

⑦ FIG.1. CODE CONFIGURATION FOR 4 DIGITS

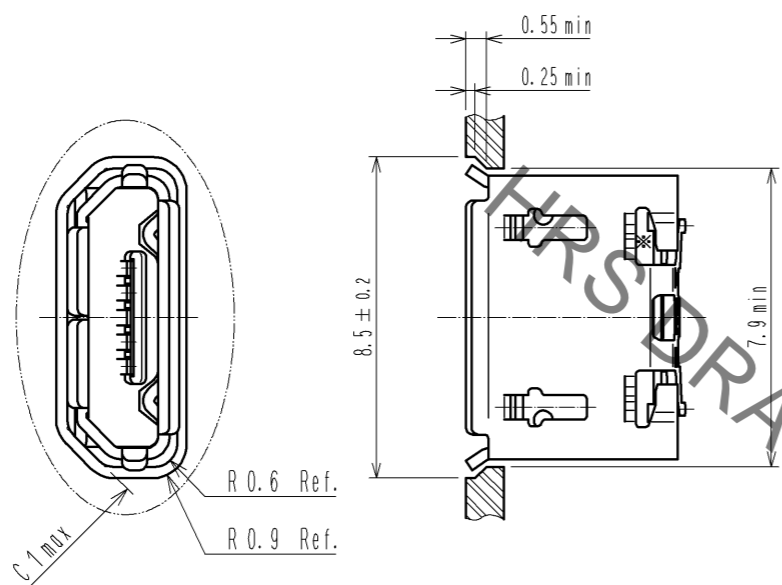
Year	Symbol	Month	Symbol	Day	Symbol	Day	Symbol	Day	Symbol	Line No.	Symbol
2011	1	Jan.	A	1	1	11	B	21	M	1	A
2012	2	Feb.	B	2	2	12	C	22	N	2	B
2013	3	Mar.	C	3	3	13	D	23	P	3	C
2014	4	Apr.	D	4	4	14	E	24	Q	4	D
2015	5	May.	E	5	5	15	F	25	R	5	E
2016	6	Jun.	F	6	6	16	G	26	S	6	F
2017	7	Jul.	G	7	7	17	H	27	T	7	G
2018	8	Aug.	H	8	8	18	J	28	U	8	H
2019	9	Sep.	I	9	9	19	K	29	V	9	I
2020	0	Oct.	J	10	A	20	L	30	W	10	J
		Nov.	K								
		Dec.	L								
								31	X		

5	PE	
4	PS	
3	STAINLESS STEEL	OVER PLATING : TIN 1µm MIN. UNDER PLATING : NICKEL 0.2µm MIN. LUBRICANT

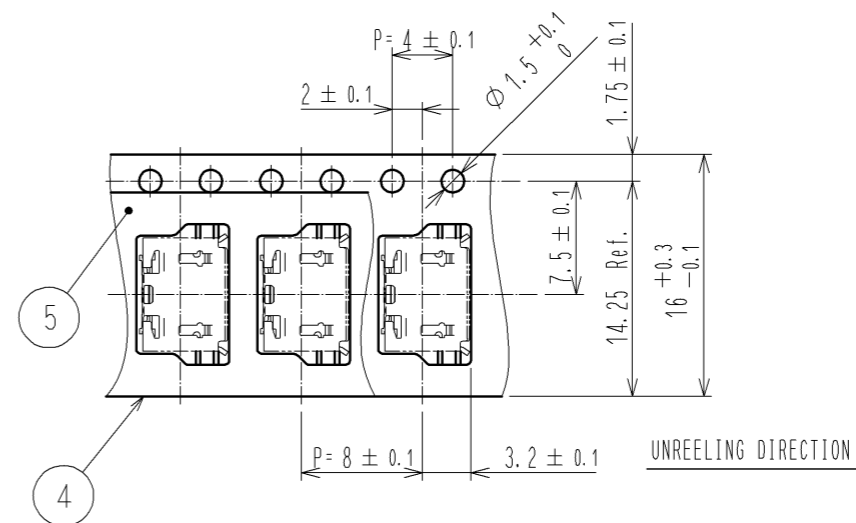
2	BRASS	②			
1	LCP	BLACK UL94V-0			
NO.	MATERIAL	FINISH . REMARKS	NO.	MATERIAL	FINISH . REMARKS
UNITS	mm	SCALE	5 : 1	COUNT	△
APPROVED : NM. NISHIMATSU 12.08.10			DRAWING NO. EDC3-127464-00		
CHECKED : NM. NISHIMATSU 12.08.10			PART NO. ZX62D-B-5PA5		
DESIGNED : KO. KAWAMURA 12.08.10			CODE NO. CL242-0066-7-00		
DRAWN : KO. KAWAMURA 12.08.10			DATE		
HIROSE ELECTRIC CO., LTD.					

Sep.1.2021 Copyright 2021 HIROSE ELECTRIC CO., LTD. All Rights Reserved.  
 In case of consideration for using Automotive equipment / device which demand high reliability, kindly contact our sales window correspondents.

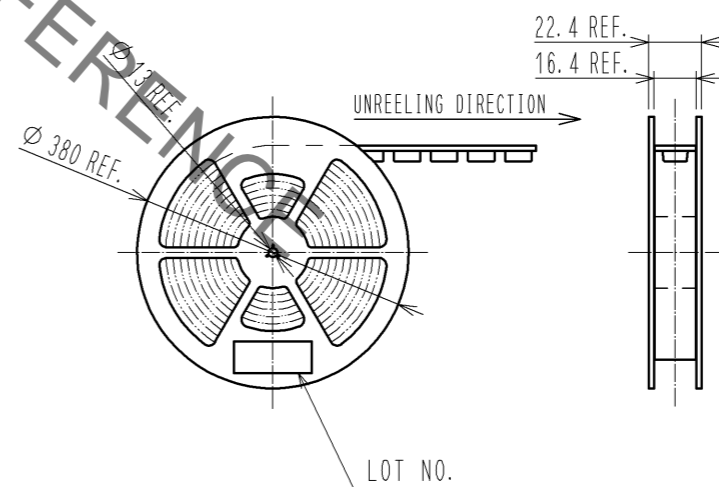
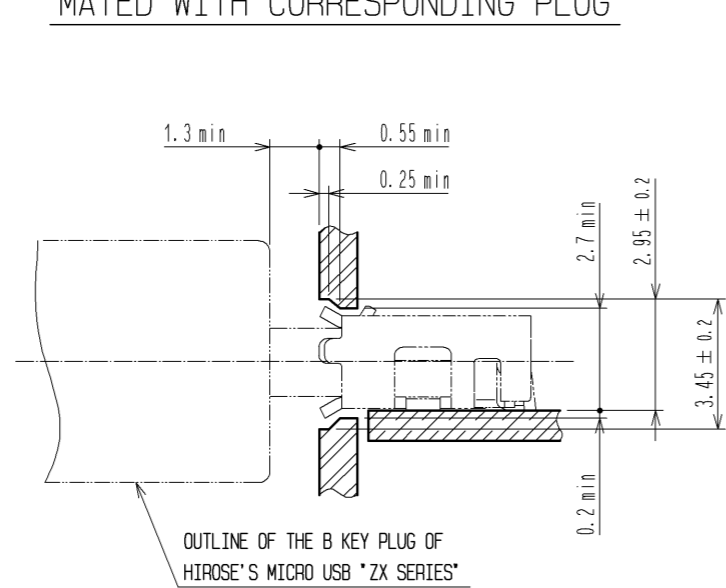
PANEL CUTOUT FOR REFERENCE



DRAWING FOR PACKING(FREE)



MATED WITH CORRESPONDING PLUG



<b>HRS</b>	DRAWING NO.	EDC3-127464-00
	PART NO.	ZX62D-B-5PA5
	CODE NO.	CL242-0066-7-00
		△ 2/2

## X-ON Electronics

Largest Supplier of Electrical and Electronic Components

*Click to view similar products for [USB Connectors](#) category:*

*Click to view products by [Hirose](#) manufacturer:*

Other Similar products are found below :

[65-647-8-BK-BU](#) [950](#) [E8144-B01021-L](#) [A-USB A-LP-SMT-C](#) [A-USB B-TOP-C](#) [MUSBA511N5](#) [MUSBD11135](#) [217450-1](#) [CA 6 W LD](#)  
[KMBVX-TH-5S-B30](#) [896-30-004-00-000000](#) [KUSBVX-BS1N-W30](#) [KUSBX-AP-KIT-SCBLK](#) [KUSBX-AS2N-W](#) [KUSBX-SMT2AP1S-W](#)  
[KUSBX-SMT2AP1S-W30](#) [935](#) [957](#) [30-498-6](#) [17-210051](#) [1734082-1](#) [30-1574](#) [30-470](#) [30-489](#) [30-541](#) [30-572-3](#) [MAB 8 SN V](#) [A-USB A-](#)  
[2P-C](#) [MIKROE-1451](#) [USBFTV2PEM2G](#) [USBFTVC6ZN](#) [KUSBX-AS2N-W30](#) [KUSBX-SLAS1N-W](#) [KUSBX-SMT-AS1N-W30](#) [4689-1](#) [1-](#)  
[1734084-2](#) [E8110-001-01](#) [MUSBA81130](#) [33UBARS1-04SW11](#) [33UBAR-04SW11](#) [USBF21ZNSCC](#) [USBBFTV6ZC](#) [10135326-001LF](#)  
[M9177/3-1](#) [USB-A-S-F-B-VT](#) [925](#) [4198](#) [690-024-633-031](#) [KUSBEX-BSFS1N-W](#) [USBFTVC6MRG](#)