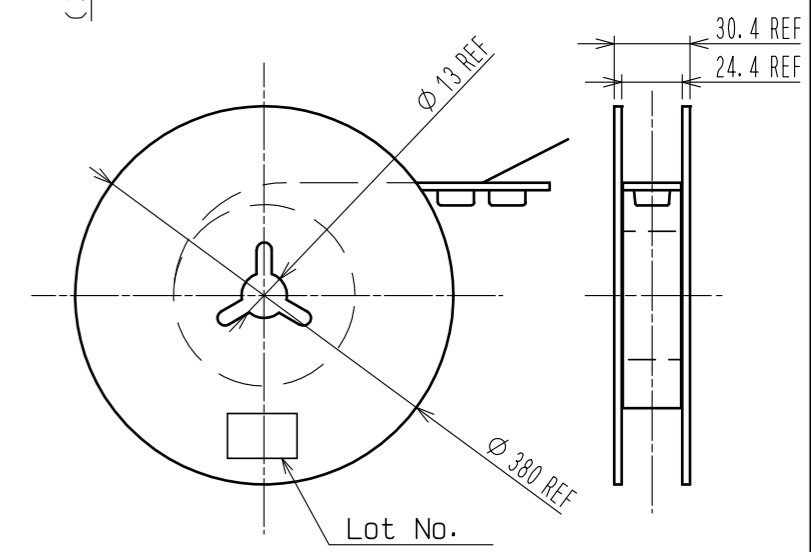
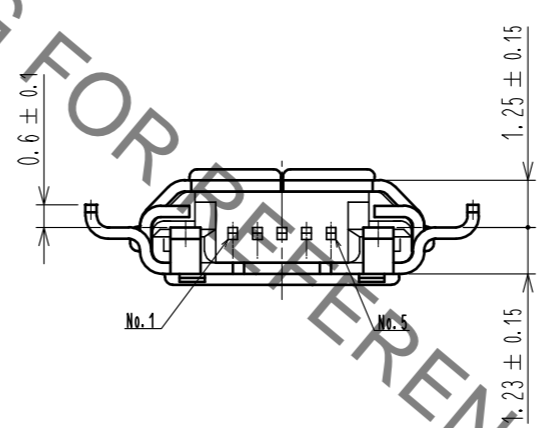
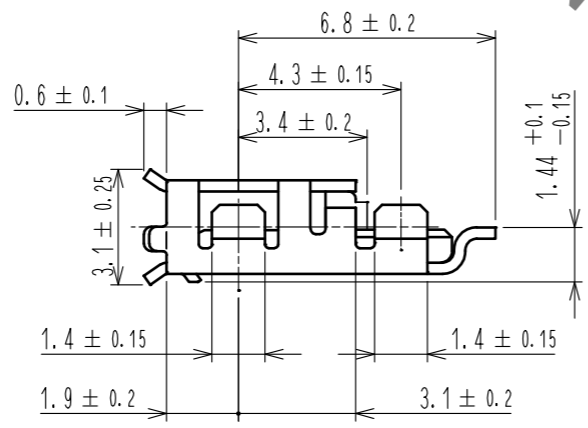
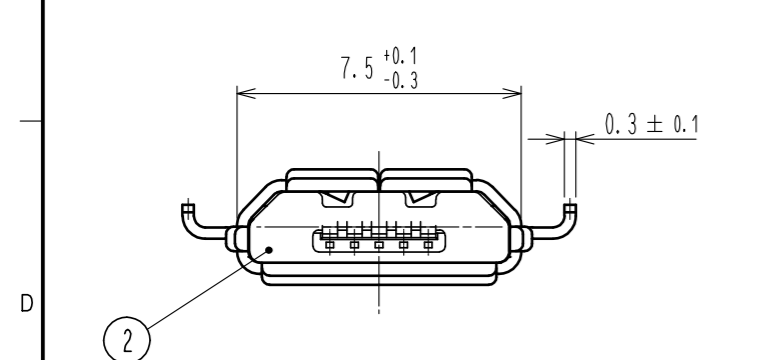
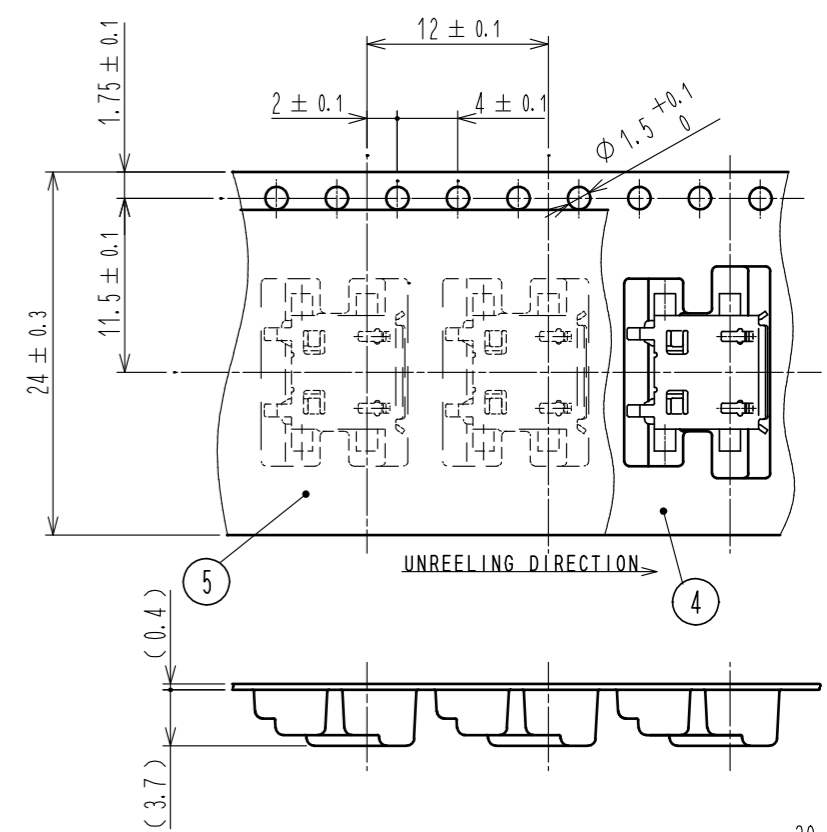
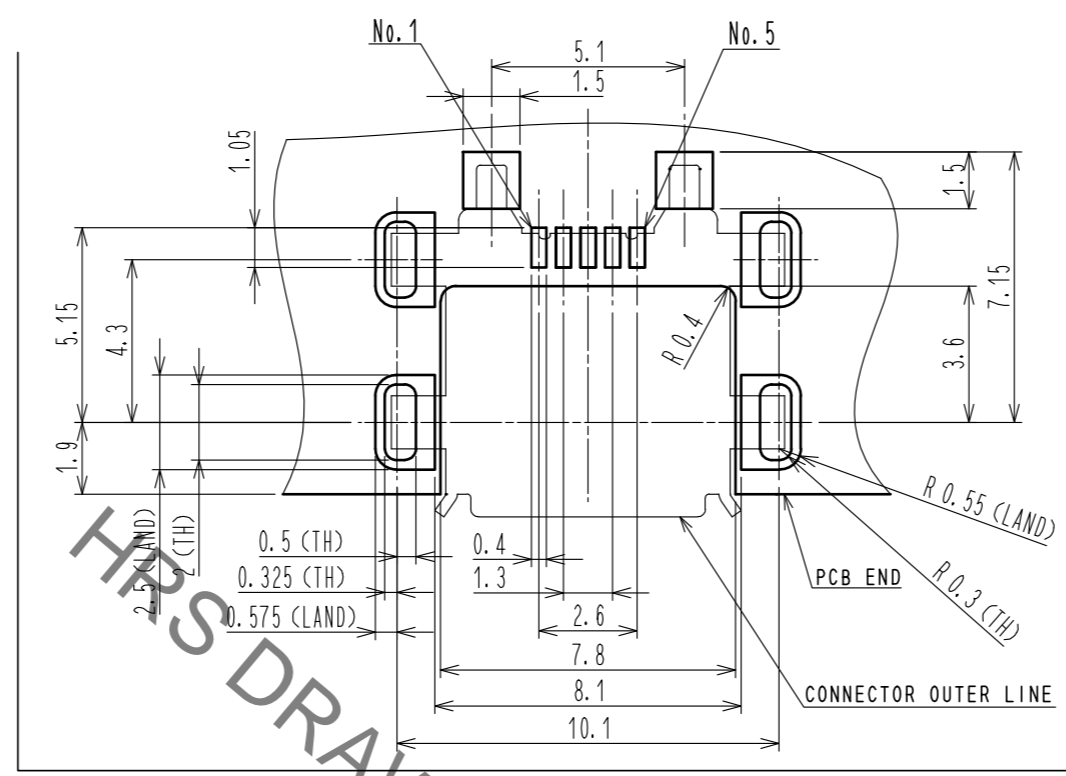
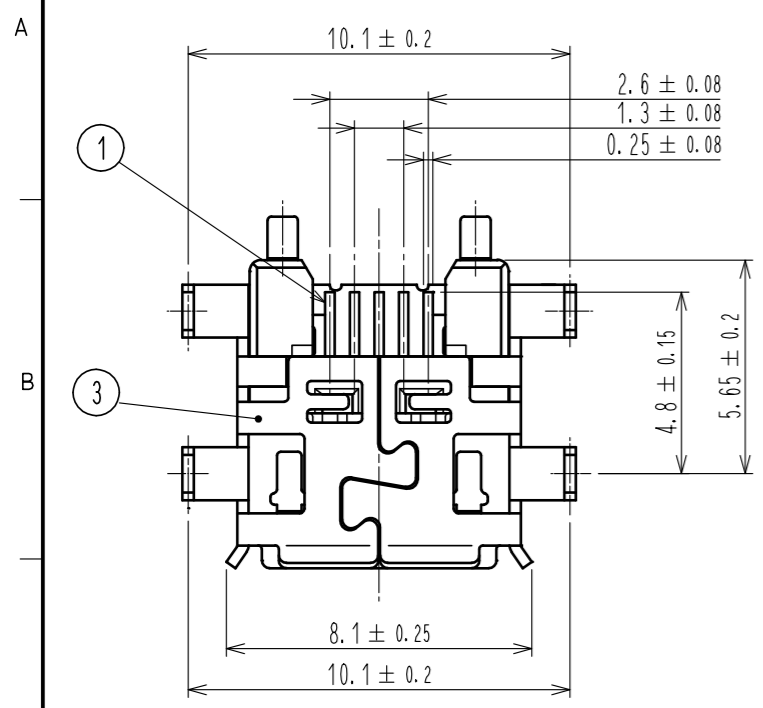


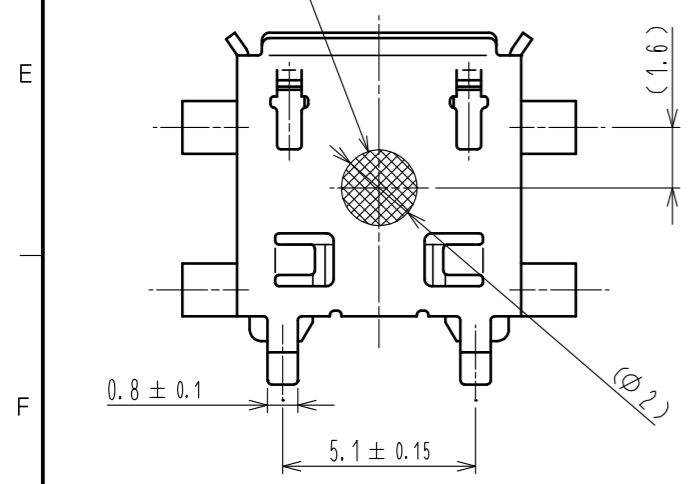
Sep.1.2021 Copyright 2021 HIROSE ELECTRIC CO., LTD. All Rights Reserved.
In case of consideration for using Automotive equipment / device which demand high reliability, kindly contact our sales window correspondents.

RECOMMENDED PATTERN

4 DRAWING FOR PACKING (FREE)



PICK AND PLACE AREA



- 1 INTERFACE DIMENSIONS CONFORMS TO USB2.0 SPECIFICATION.
- 2 CO-PLANARITY TO BE 0.08MAX.
- 3 PLATING
CONACT AREA:GOLD 0.05µm MIN OVER PALLADIUM NICKEL 0.75µm MIN.
LEAD AREA :GOLD 0.05µm MIN.
UNDER PLATING:NICKEL 2µm MIN.
- 4 PER REEL:2000pcs.
- 5 AS FOR PART No. 3. THE PERFORMANCE REMAINS GOOD EVEN IF THERE IS A RUBBING WOUND BY THE ASSEMBLY PROCESS.
- 6 AS FOR PART No. 2. A PART OF SHAPE MAY BECOME DIFFERENT DEPENDING ON THE PRODUCTION METHOD.

2	LCP	COLOR BLACK UL94V-0	5	PE	
1	COPPER ALLOY	3	4	PS	
NO.	MATERIAL	FINISH . REMARKS	NO.	MATERIAL	FINISH . REMARKS
			3	STAINLESS STEEL	TIN PLATING 1µm min. LUBRICANT
UNITS	mm	SCALE	5 : 1	COUNT	DESCRIPTION OF REVISIONS
					DESIGNED
					CHECKED
					DATE
APPROVED : NM. NISHIMATSU		15.10.27	DRAWING NO. EDC-126514-31-00		
CHECKED : KN. ICHIKAWA		15.10.27	PART NO. ZX62MD1-B-5P(31)		
DESIGNED : TS. ITO		15.10.27	CODE NO. CL242-0041-6-31		
DRAWN : AK. AKIYAMA		15.10.27			

X-ON Electronics

Largest Supplier of Electrical and Electronic Components

Click to view similar products for [USB Connectors](#) category:

Click to view products by [Hirose](#) manufacturer:

Other Similar products are found below :

[65-647-8-BK-BU](#) [950](#) [E8144-B01021-L](#) [A-USB A-LP-SMT-C](#) [A-USB B-TOP-C](#) [MUSBA511N5](#) [MUSBD11135](#) [217450-1](#) [CA 6 W LD](#)
[KMBVX-TH-5S-B30](#) [896-30-004-00-000000](#) [KUSBVX-BS1N-W30](#) [KUSBX-AP-KIT-SCBLK](#) [KUSBX-AS2N-W](#) [KUSBX-SMT2AP1S-W](#)
[KUSBX-SMT2AP1S-W30](#) [935](#) [957](#) [30-498-6](#) [17-210051](#) [1734082-1](#) [30-1574](#) [30-470](#) [30-489](#) [30-541](#) [30-572-3](#) [MAB 8 SN V](#) [A-USB A-](#)
[2P-C](#) [MIKROE-1451](#) [USBFTV2PEM2G](#) [USBFTVC6ZN](#) [KUSBX-AS2N-W30](#) [KUSBX-SLAS1N-W](#) [KUSBX-SMT-AS1N-W30](#) [4689-1](#) [1-](#)
[1734084-2](#) [E8110-001-01](#) [MUSBA81130](#) [33UBARS1-04SW11](#) [33UBAR-04SW11](#) [USBF21ZNSCC](#) [USBBFTV6ZC](#) [10135326-001LF](#)
[M9177/3-1](#) [USB-A-S-F-B-VT](#) [925](#) [4198](#) [690-024-633-031](#) [KUSBEX-BSFS1N-W](#) [USBFTVC6MRG](#)