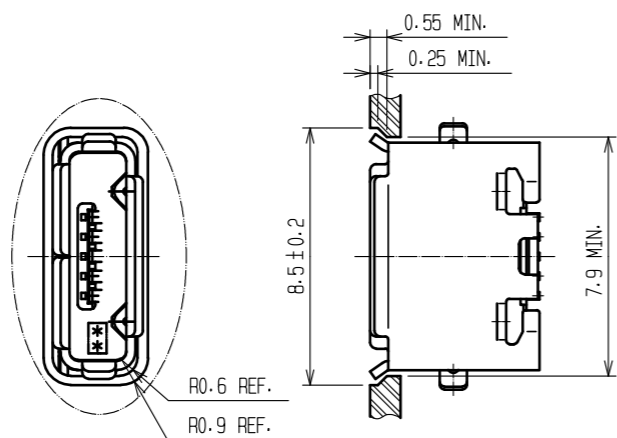
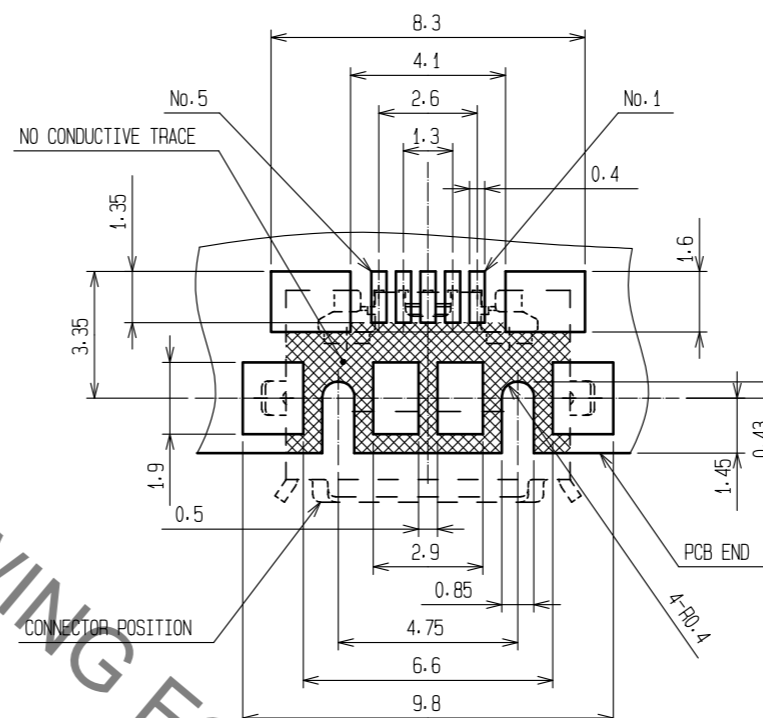


Sep.1.2021 Copyright 2021 HIROSE ELECTRIC CO., LTD. All Rights Reserved.
In case of consideration for using Automotive equipment / device which demand high reliability, kindly contact our sales window correspondents.

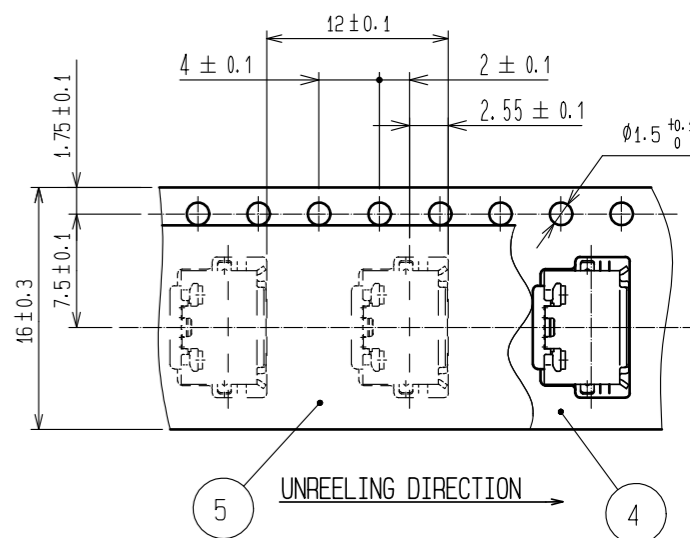
RECOMMENDED PANEL CUTOUT(4:1)



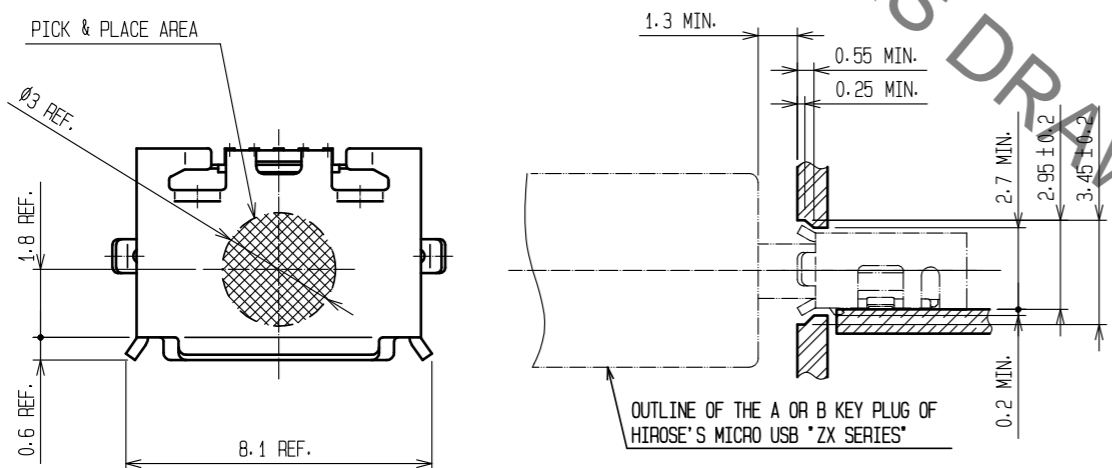
RECOMMENDED PC BOARD PATTERN



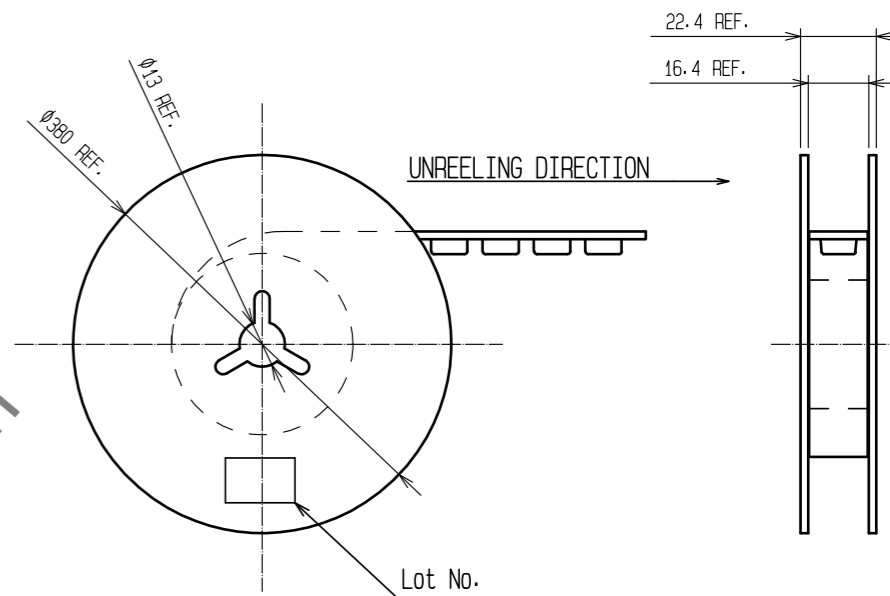
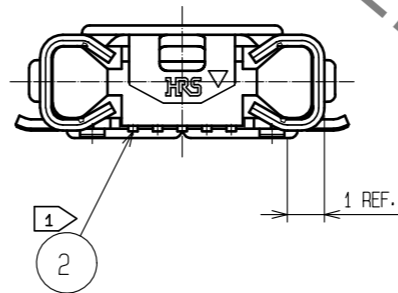
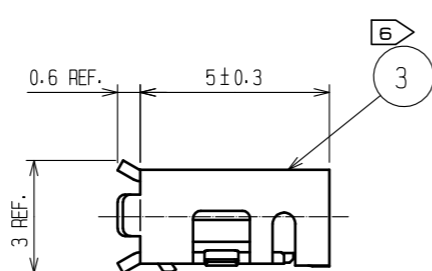
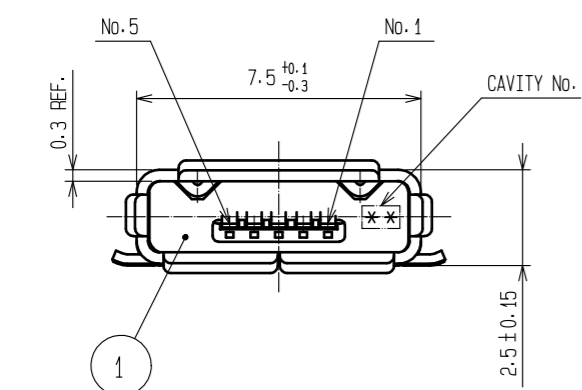
3 DRAWING FOR PACKING(FREE)



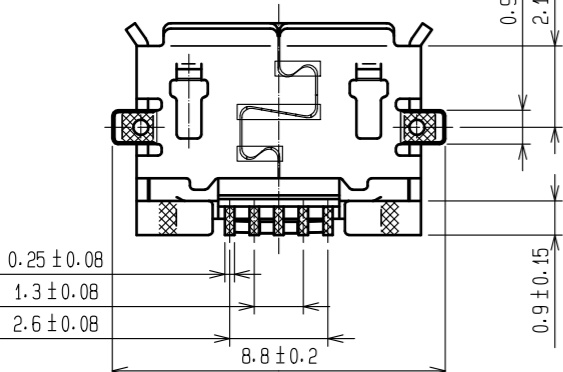
MATED WITH CORRESPONDING PLUG(4:1)



GENERAL TOLERANCE IS ±0.05mm



- NOTES. 1 CO-PLANARITY IS WITHIN 0.08mm MAX.
 2 PLATING
 CONTACT AREA :GOLD 0.75µm MIN.
 LEAD AREA :GOLD 0.05µm MIN.
 UNDER PLATING:NICKEL 2µm MIN.
 3 PER REEL : 2000 pcs.
 4. INTERFACE DIMENSIONS CONFORMS TO USB2.0 SPECIFICATION.
 5. AS FOR PART No.3. THE PERFORMANCE REMAINS GOOD EVEN IF THERE IS A RUBBING WOUND BY THE ASSEMBLY PROCESS.
 6 AS FOR PART No.3. THERE IS NO PROBLEM ON THE QUALITY THOUGH THERE MIGHT BE A DIFFERENCE IN THE COLOR DEPENDING ON THE PLATING PROCESSING LOT.



2	COPPER ALLOY	2	5	PE				
1	LCP	GRAY UL94V-0	4	PS				
			3	STAINLESS STEEL				
				TIN PLATING 1µm Min. LUBRICANT				
NO.	MATERIAL	FINISH . REMARKS	NO.	MATERIAL	FINISH . REMARKS			
UNITS	mm	SCALE	5 : 1	COUNT	DESCRIPTION OF REVISIONS	DESIGNED	CHECKED	DATE
HRS HIROSE ELECTRIC CO., LTD.		APPROVED	:NM. NISHIMATSU	15.10.27	DRAWING NO.	EDC-126373-30-00		
		CHECKED	:KN. ICHIKAWA	15.10.27	PART NO.	ZX62R-AB-5P(30)		
		DESIGNED	:TS. ITO	15.10.27	CODE NO.	CL242-0035-3-30		
		DRAWN	:AK. AKIYAMA	15.10.27		1/1		

X-ON Electronics

Largest Supplier of Electrical and Electronic Components

Click to view similar products for [USB Connectors](#) category:

Click to view products by [Hirose](#) manufacturer:

Other Similar products are found below :

[65-647-8-BK-BU](#) [950](#) [E8144-B01021-L](#) [A-USB A-LP-SMT-C](#) [A-USB B-TOP-C](#) [MUSBA511N5](#) [MUSBD11135](#) [217450-1](#) [CA 6 W LD](#)
[KMBVX-TH-5S-B30](#) [896-30-004-00-000000](#) [KUSBVX-BS1N-W30](#) [KUSBX-AP-KIT-SCBLK](#) [KUSBX-AS2N-W](#) [KUSBX-SMT2AP1S-W](#)
[KUSBX-SMT2AP1S-W30](#) [935](#) [957](#) [30-498-6](#) [17-210051](#) [1734082-1](#) [30-1574](#) [30-470](#) [30-489](#) [30-541](#) [30-572-3](#) [MAB 8 SN V](#) [A-USB A-](#)
[2P-C](#) [MIKROE-1451](#) [USBFTV2PEM2G](#) [USBFTVC6ZN](#) [KUSBX-AS2N-W30](#) [KUSBX-SLAS1N-W](#) [KUSBX-SMT-AS1N-W30](#) [4689-1](#) [1-](#)
[1734084-2](#) [E8110-001-01](#) [MUSBA81130](#) [33UBARS1-04SW11](#) [33UBAR-04SW11](#) [USBF21ZNSCC](#) [USBBFTV6ZC](#) [10135326-001LF](#)
[M9177/3-1](#) [USB-A-S-F-B-VT](#) [925](#) [4198](#) [690-024-633-031](#) [KUSBEX-BSFS1N-W](#) [USBFTVC6MRG](#)