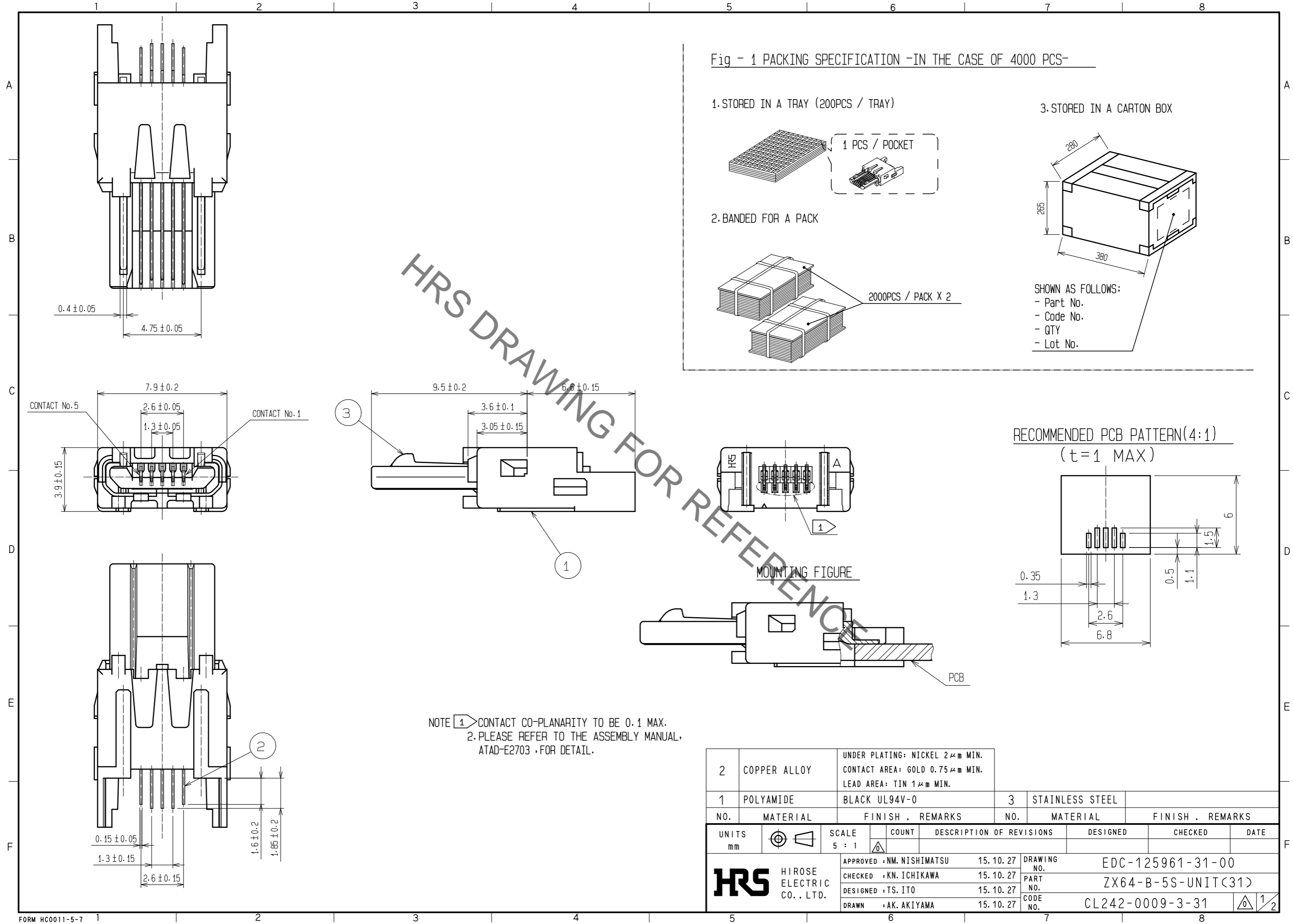


Sep.1.2021 Copyright 2021 HIROSE ELECTRIC CO., LTD. All Rights Reserved.
In case of consideration for using Automotive equipment / device which demand high reliability, kindly contact our sales window correspondents.



| 2 | COPPER ALLOY | UNDER PLATING: NICKEL 2μm MIN. CONTACT AREA: GOLD 0.75μm MIN. LEAD AREA: TIN 1μm MIN. | 3 | STAINLESS STEEL | | | | |
|--------------------------------------|--------------|---|----------|------------------------------|--------------------------|----------|---------|------|
| 1 | POLYAMIDE | BLACK UL94V-0 | | | | | | |
| NO. | MATERIAL | FINISH . REMARKS | NO. | MATERIAL | FINISH . REMARKS | | | |
| UNITS | mm | SCALE | 5 : 1 | COUNT | DESCRIPTION OF REVISIONS | DESIGNED | CHECKED | DATE |
| HRS HIROSE ELECTRIC CO., LTD. | | APPROVED : NM. NISHIMATSU | 15.10.27 | DRAWING NO. EDC-125961-31-00 | | | | |
| | | CHECKED : KN. ICHIKAWA | 15.10.27 | PART NO. ZX64-B-5S-UNIT(31) | | | | |
| | | DESIGNED : TS. ITO | 15.10.27 | CODE NO. CL242-0009-3-31 | | | | |
| | | DRAWN : AK. AKIYAMA | 15.10.27 | | | | | |

Sep.1.2021 Copyright 2021 HIROSE ELECTRIC CO., LTD. All Rights Reserved.
In case of consideration for using Automotive equipment / device which demand high reliability, kindly contact our sales window correspondents.

Fig - 2 SHIELDING-PLATE ASSEMBLY

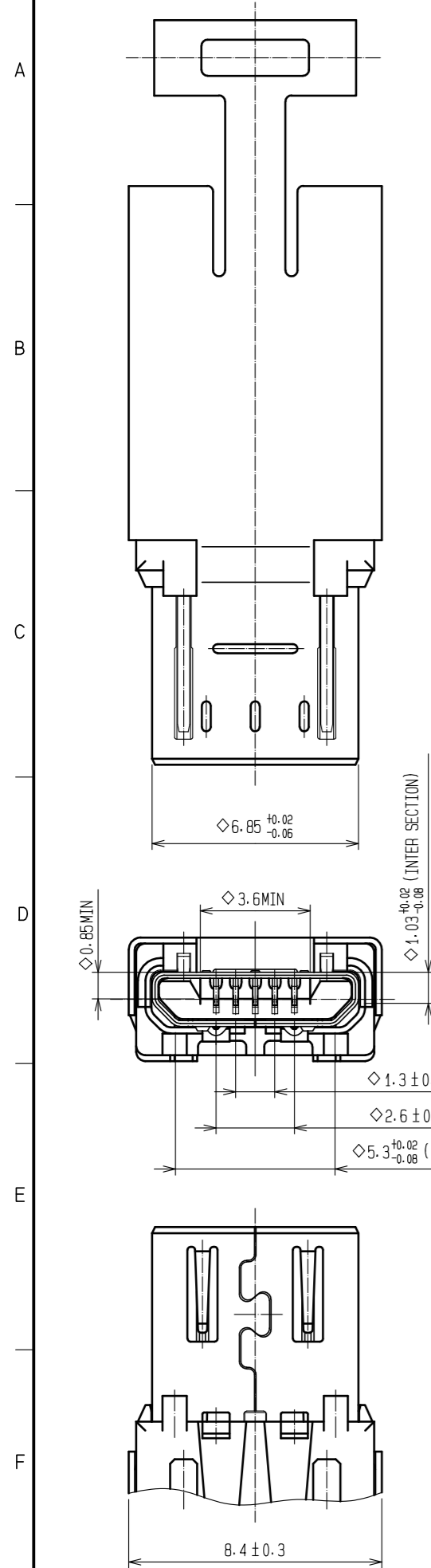
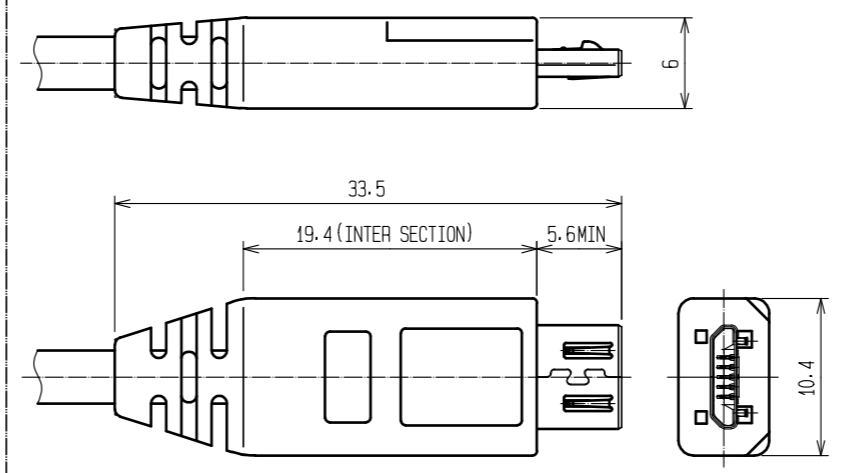
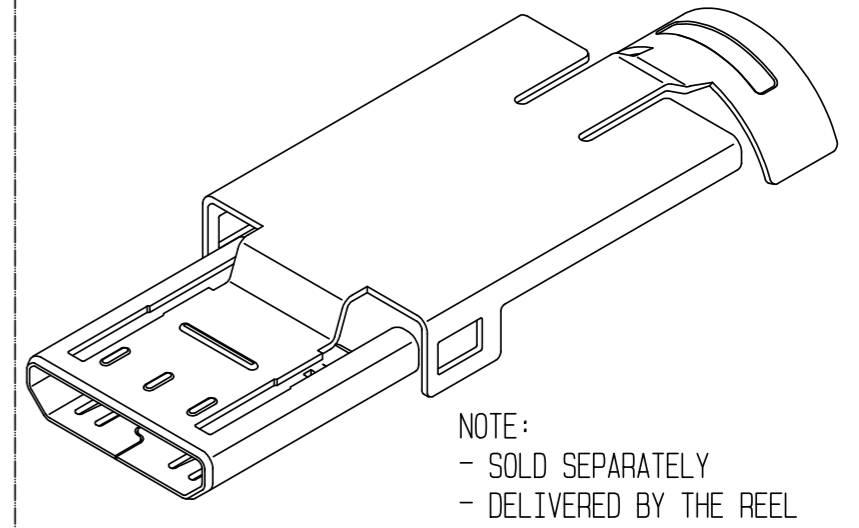


Fig - 3 OVER-MOLDING(REFERENCE)

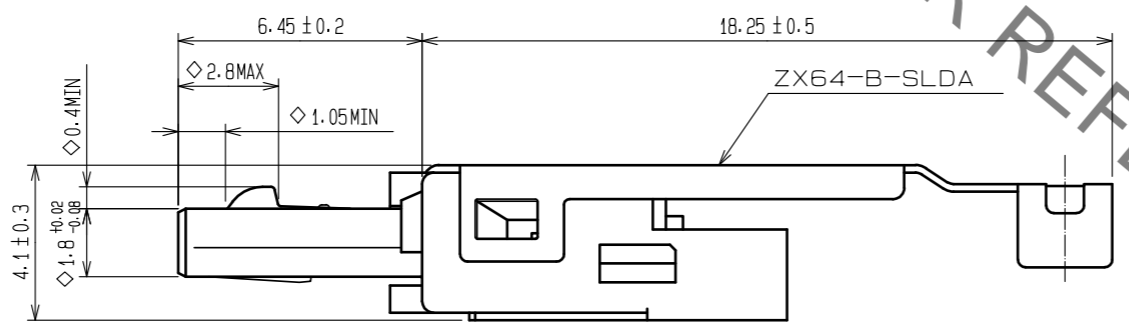
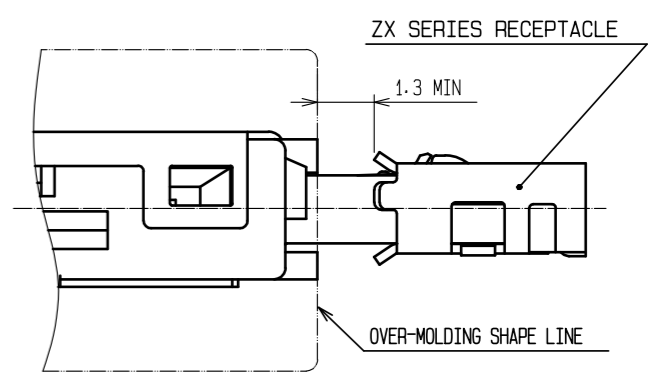


ZX64-B-SLDA
CODE : CL242-0013-0



NOTE :
- SOLD SEPARATELY
- DELIVERED BY THE REEL

Fig - 4 MATED CONDITION



HRS DRAWING FOR REFERENCE

NOTES ③ SHIELDING-PLATES, ZX64-B-SLDA ARE USED FOR ASSEMBLY.
④ *◇*SYMBOL ADDED TO EACH DIMENSION MEANS CRITICAL DIMENSION ON USB SPECIFICATION.
PLEASE CHECK THEM AFTER OVER-MOLDING.

| | | |
|------------|-------------|--------------------|
| HRS | DRAWING NO. | EDC-125961-31-00 |
| | PART NO. | ZX64-B-5S-UNIT(31) |
| | CODE NO. | CL242-0009-3-31 |
| | | 2/2 |

X-ON Electronics

Largest Supplier of Electrical and Electronic Components

Click to view similar products for [USB Connectors](#) category:

Click to view products by [Hirose](#) manufacturer:

Other Similar products are found below :

[65-647-8-BK-BU](#) [950](#) [E8144-B01021-L](#) [A-USB A-LP-SMT-C](#) [A-USB B-TOP-C](#) [MUSBA511N5](#) [MUSBD11135](#) [217450-1](#) [CA 6 W LD](#)
[KMBVX-TH-5S-B30](#) [896-30-004-00-000000](#) [KUSBVX-BS1N-W30](#) [KUSBX-AP-KIT-SCBLK](#) [KUSBX-AS2N-W](#) [KUSBX-SMT2AP1S-W](#)
[KUSBX-SMT2AP1S-W30](#) [935](#) [957](#) [30-498-6](#) [17-210051](#) [1734082-1](#) [30-1574](#) [30-470](#) [30-489](#) [30-541](#) [30-572-3](#) [MAB 8 SN V](#) [A-USB A-](#)
[2P-C](#) [MIKROE-1451](#) [USBFTV2PEM2G](#) [USBFTVC6ZN](#) [KUSBX-AS2N-W30](#) [KUSBX-SLAS1N-W](#) [KUSBX-SMT-AS1N-W30](#) [4689-1](#) [1-](#)
[1734084-2](#) [E8110-001-01](#) [MUSBA81130](#) [33UBARS1-04SW11](#) [33UBAR-04SW11](#) [USBF21ZNSCC](#) [USBBFTV6ZC](#) [10135326-001LF](#)
[M9177/3-1](#) [USB-A-S-F-B-VT](#) [925](#) [4198](#) [690-024-633-031](#) [KUSBEX-BSFS1N-W](#) [USBFTVC6MRG](#)