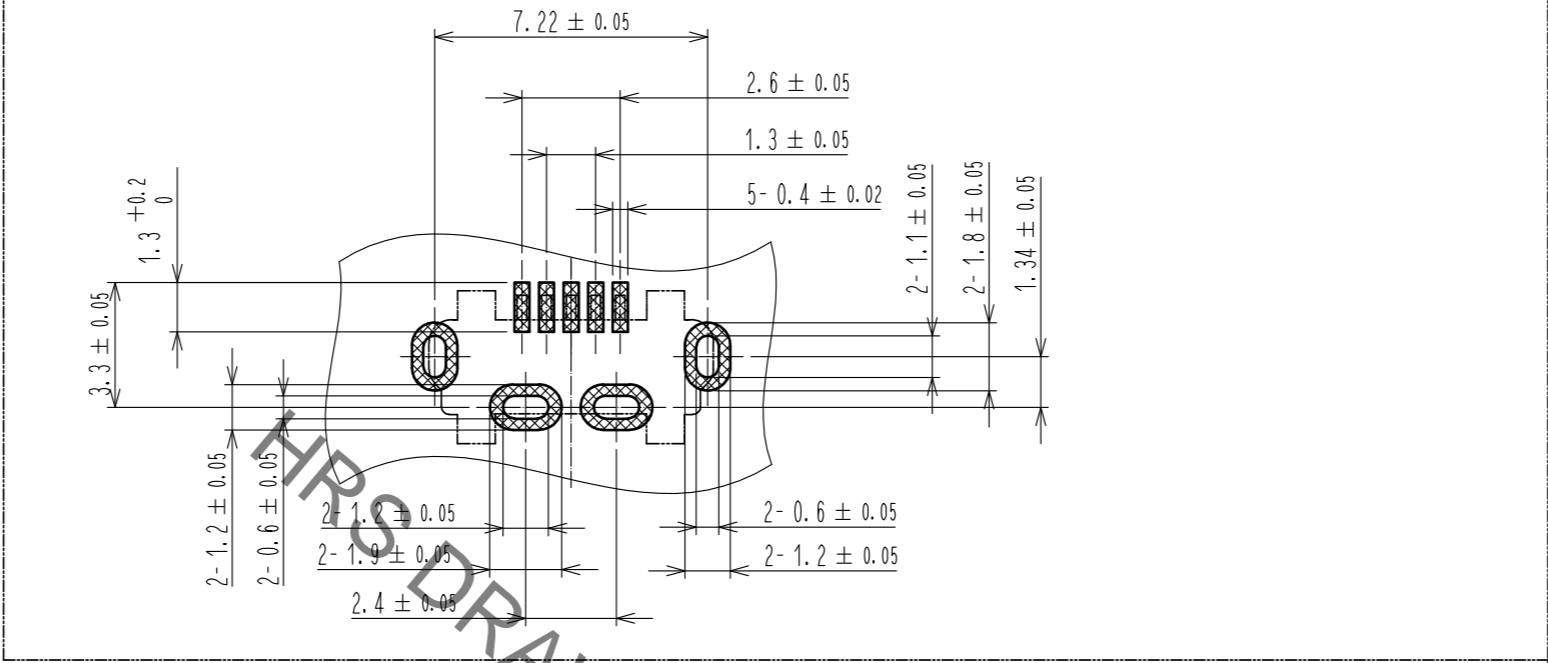
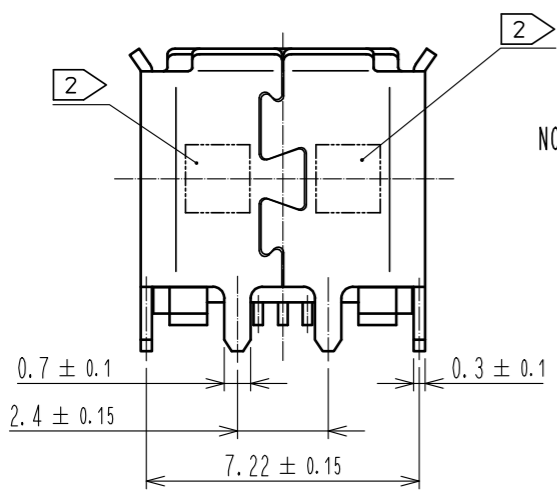
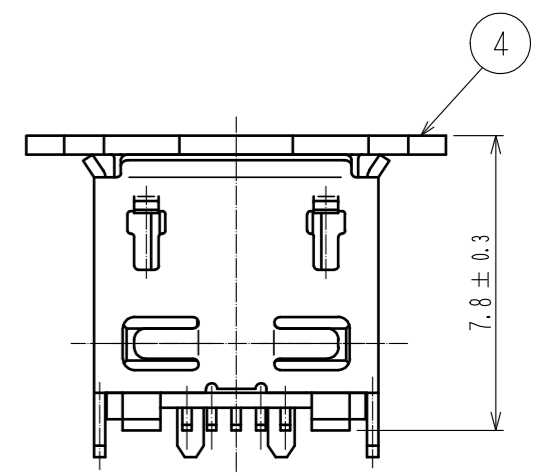
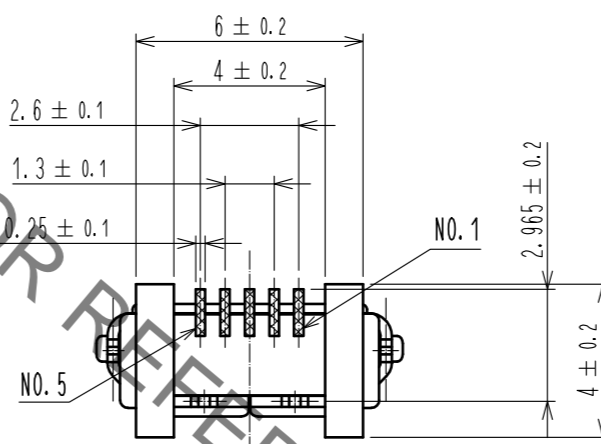
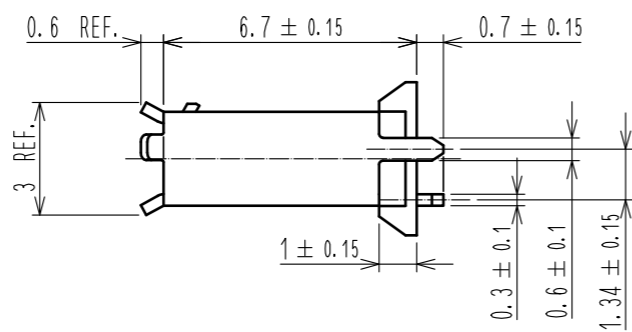
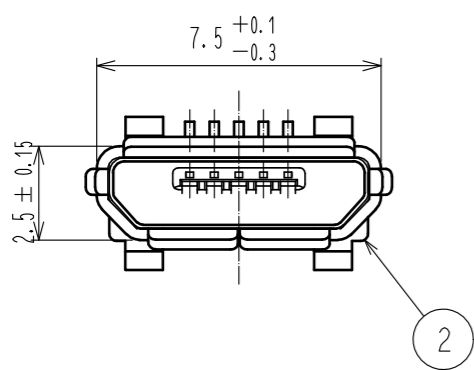
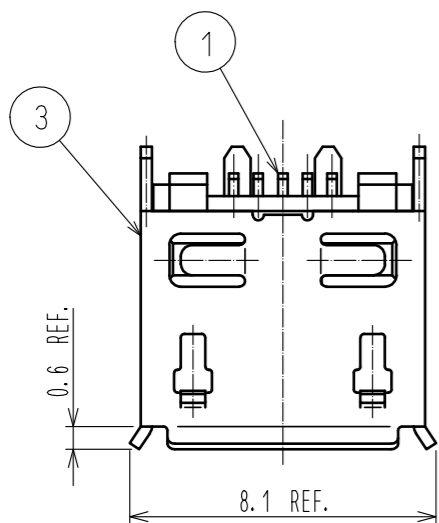
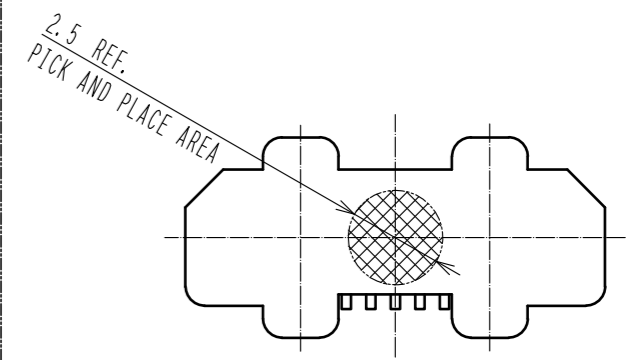


Sep.1.2021 Copyright 2021 HIROSE ELECTRIC CO., LTD. All Rights Reserved.
In case of consideration for using Automotive equipment / device which demand high reliability, kindly contact our sales window correspondents.

PCB LAYOUT



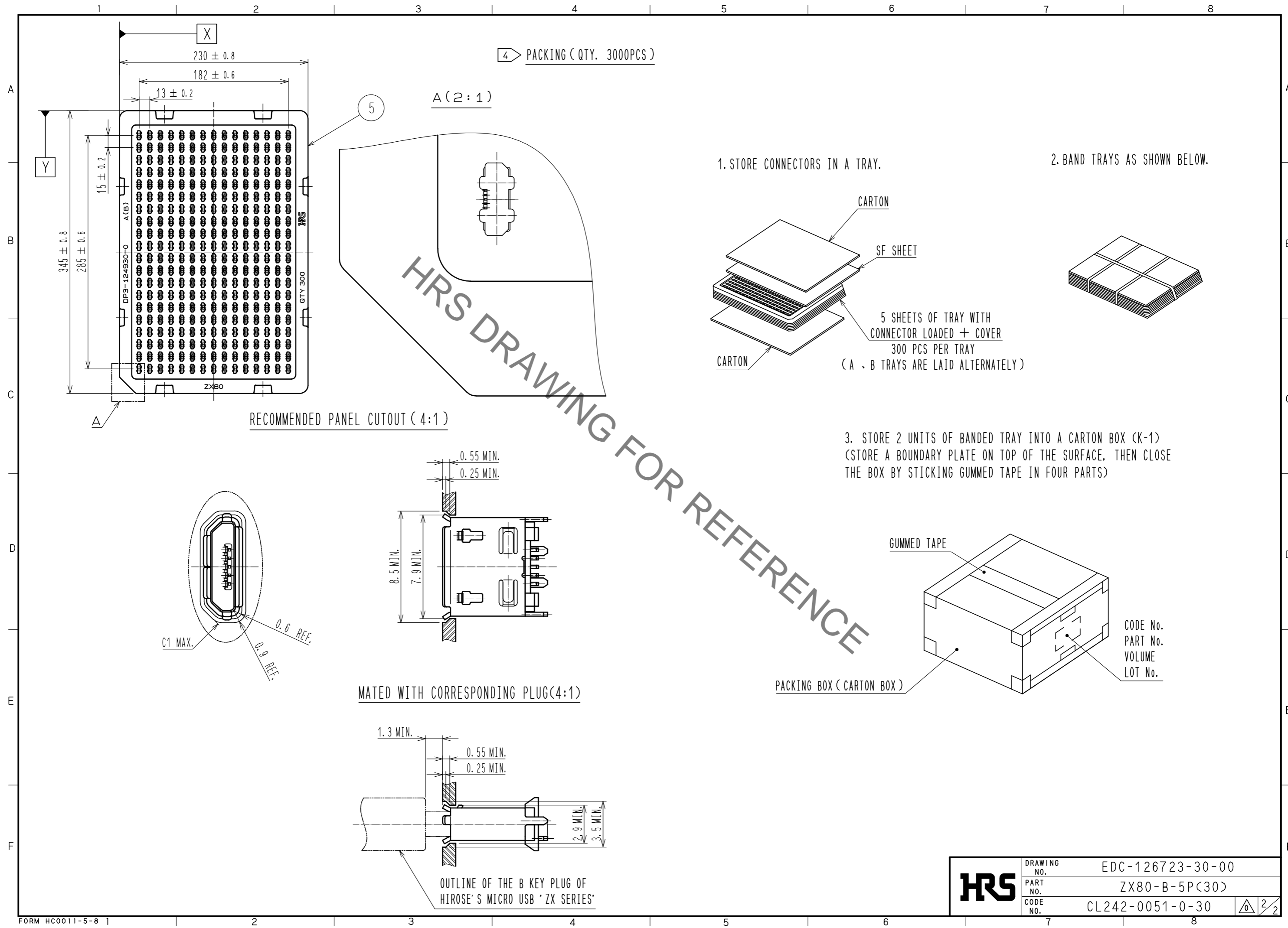
PICK AND PLACE CAP



- NOTE
- 1 CO-PLANARITY IS WITHIN 0.08.
 - 2 LOT No. SHALL BE INDICATED AT THE POSITION AS SHOWN.
 - 3 PLATING
CONTACT AREA : GOLD PLATE 0.75 μm MIN.
LEAD AREA : GOLD PLATE 0.05 μm MIN.
UNDER PLATING : NICKEL 2 μm MIN.
 - 4 PACKING
300 PCS PER TRAY.
 - 5 AS FOR PART No. 3, THE PERFORMANCE REMAINS GOOD EVEN IF THERE IS A RUBBING WOUND BY THE ASSEMBLY PROCESS. AND THE PERFORMANCE REMAINS GOOD EVEN IF THERE IS A DIFFERENCE OF THE COLOR OF PLATING WITH THE MANUFACTURING LOT.

2	LCP	BLACK	UL94V-0	5	PS			
1	COPPER ALLOY	3		4	POLYAMIDE RESIN			
				3	STAINLESS STEEL	UNDER PLATING: NICKEL 0.2 μm MIN. OVER PLATING : TIN 1μm MIN. LUBRICANT		
NO.	MATERIAL	FINISH	REMARKS	NO.	MATERIAL	FINISH	REMARKS	
UNITS	mm	SCALE	5 : 1	COUNT	DESCRIPTION OF REVISIONS	DESIGNED	CHECKED	DATE
APPROVED : NM. NISHIMATSU		15.10.27		DRAWING NO.		EDC-126723-30-00		
CHECKED : KN. ICHIKAWA		15.10.27		PART NO.		ZX80-B-5P(30)		
DESIGNED : TS. ITO		15.10.27		CODE NO.		CL242-0051-0-30		
DRAWN : AK. AKIYAMA		15.10.27				1/2		

Sep.1.2021 Copyright 2021 HIROSE ELECTRIC CO., LTD. All Rights Reserved.
In case of consideration for using Automotive equipment / device which demand high reliability, kindly contact our sales window correspondents.



HRS	DRAWING NO.	EDC-126723-30-00	2/2
	PART NO.	ZX80-B-5P(30)	
	CODE NO.	CL242-0051-0-30	

X-ON Electronics

Largest Supplier of Electrical and Electronic Components

Click to view similar products for [USB Connectors](#) category:

Click to view products by [Hirose](#) manufacturer:

Other Similar products are found below :

[65-647-8-BK-BU](#) [950](#) [E8144-B01021-L](#) [A-USB A-LP-SMT-C](#) [A-USB B-TOP-C](#) [MUSBA511N5](#) [MUSBD11135](#) [217450-1](#) [CA 6 W LD](#)
[KMBVX-TH-5S-B30](#) [896-30-004-00-000000](#) [KUSBVX-BS1N-W30](#) [KUSBX-AP-KIT-SCBLK](#) [KUSBX-AS2N-W](#) [KUSBX-SMT2AP1S-W](#)
[KUSBX-SMT2AP1S-W30](#) [935](#) [957](#) [30-498-6](#) [17-210051](#) [1734082-1](#) [30-1574](#) [30-470](#) [30-489](#) [30-541](#) [30-572-3](#) [MAB 8 SN V](#) [A-USB A-](#)
[2P-C](#) [MIKROE-1451](#) [USBFTV2PEM2G](#) [USBFTVC6ZN](#) [KUSBX-AS2N-W30](#) [KUSBX-SLAS1N-W](#) [KUSBX-SMT-AS1N-W30](#) [4689-1](#) [1-](#)
[1734084-2](#) [E8110-001-01](#) [MUSBA81130](#) [33UBARS1-04SW11](#) [33UBAR-04SW11](#) [USBF21ZNSCC](#) [USBBFTV6ZC](#) [10135326-001LF](#)
[M9177/3-1](#) [USB-A-S-F-B-VT](#) [925](#) [4198](#) [690-024-633-031](#) [KUSBEX-BSFS1N-W](#) [USBFTVC6MRG](#)