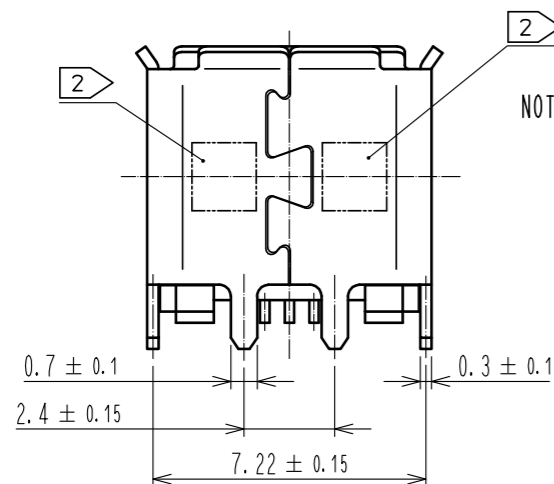
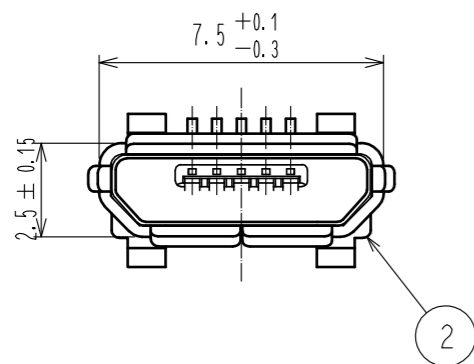
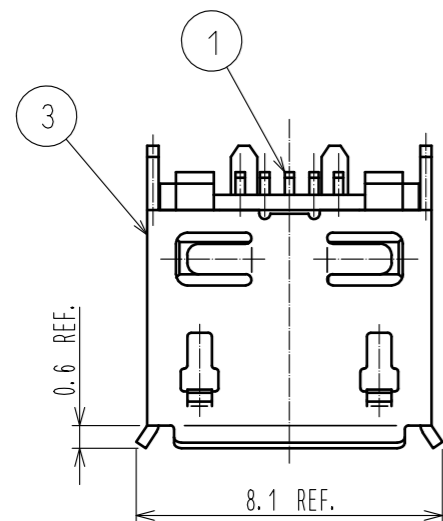


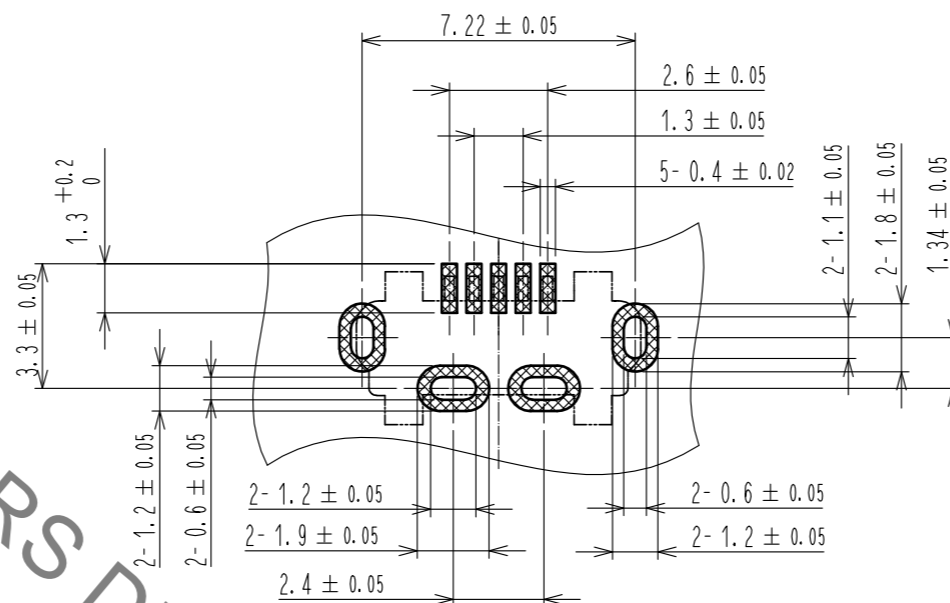
Sep.1.2021 Copyright 2021 HIROSE ELECTRIC CO., LTD. All Rights Reserved.  
In case of consideration for using Automotive equipment / device which demand high reliability, kindly contact our sales window correspondents.



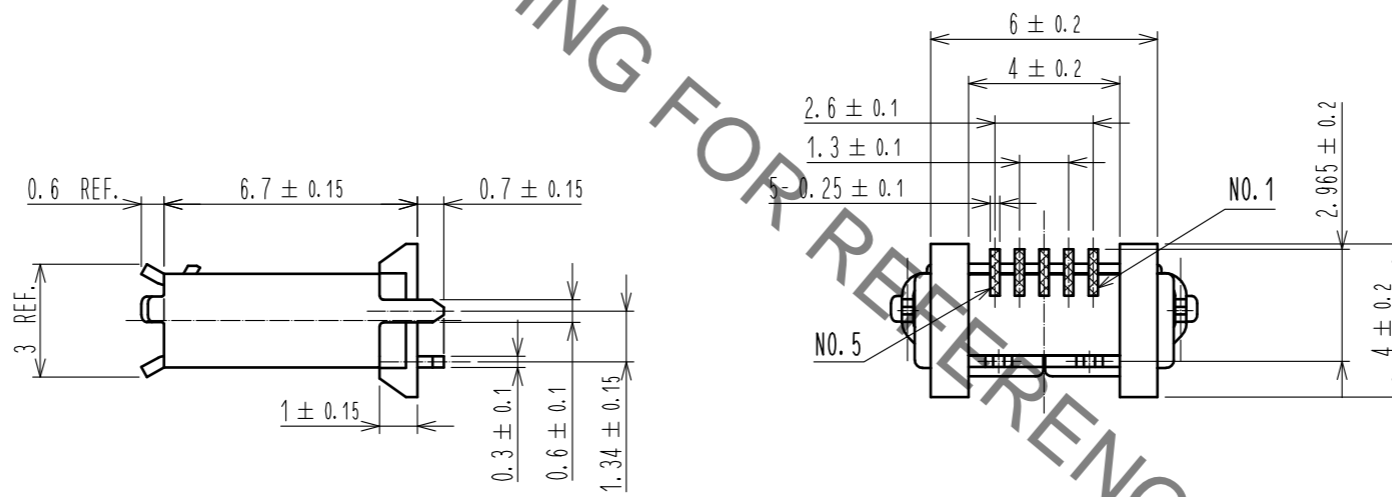
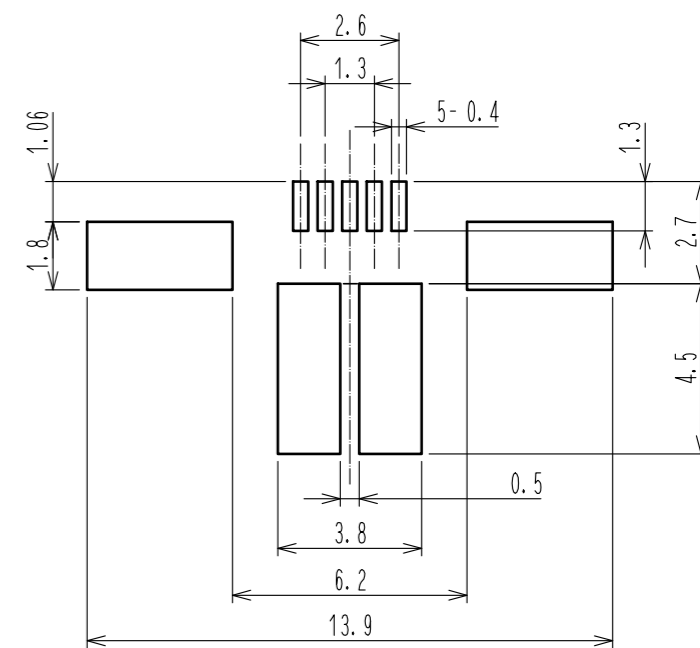
NOTE

- 1 CO-PLANARITY IS WITHIN 0.08.
- 2 LOT No. SHALL BE INDICATED AT THE POSITION AS SHOWN.
- 3 PLATING  
CONTACT AREA : GOLD PLATE 0.75 μm MIN.  
LEAD AREA : GOLD PLATE 0.05 μm MIN.  
UNDER PLATING : NICKEL 2 μm MIN.
- 4 1 REEL: 400 pcs.
- 5 AS FOR PART No. 3, THE PERFORMANCE REMAINS GOOD EVEN IF THERE IS A RUBBING WOUND BY THE ASSEMBLY PROCESS. AND THE PERFORMANCE REMAINS GOOD EVEN IF THERE IS A DIFFERENCE OF THE COLOR OF PLATING WITH THE MANUFACTURING LOT.

PCB LAYOUT FOR REFERENCE (FREE)



METAL MASK FOR REFERENCE (FREE)  
(THICKNESS:0.1mm)



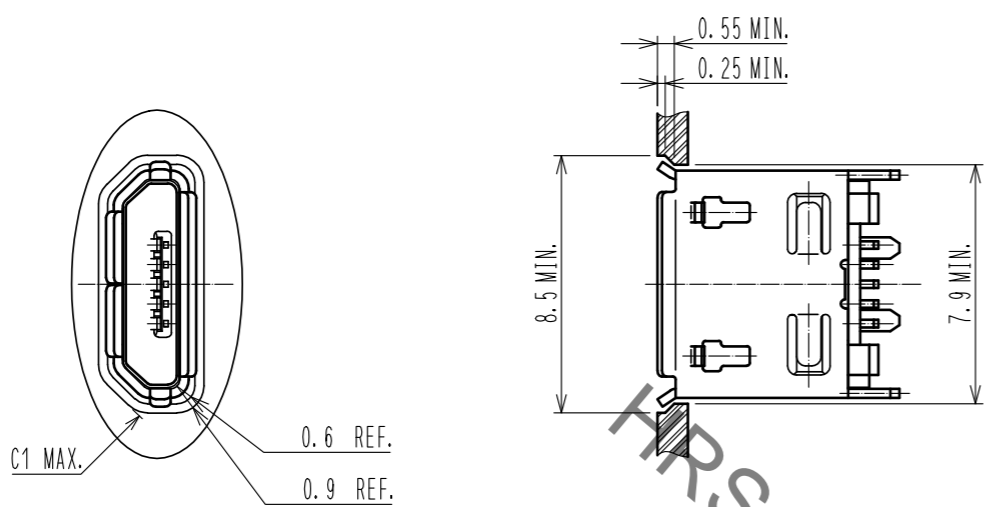
NO.	MATERIAL	FINISH . REMARKS	NO.	MATERIAL	FINISH . REMARKS
3	STAINLESS STEEL	UNDER PLATING: NICKEL 0.2 μm MIN. OVER PLATING : TIN 1μm MIN. LUBRICANT	6	PE	
2	LCP	BLACK UL94V-0	5	PS	
1	COPPER ALLOY	3	4	POLYAMIDE RESIN	

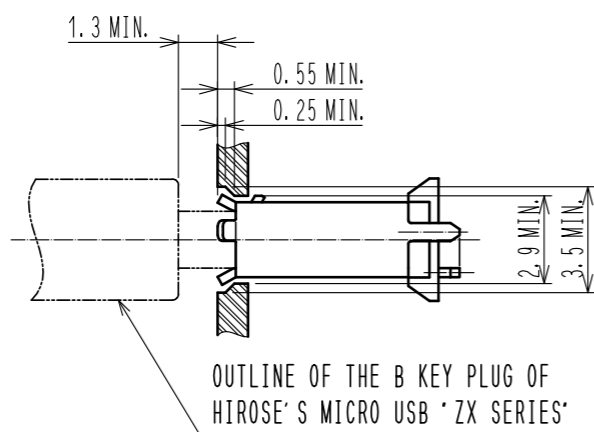
UNITS	SCALE	COUNT	DESCRIPTION OF REVISIONS	DESIGNED	CHECKED	DATE
mm	5 : 1	△				
APPROVED : NM. NISHIMATSU			15.10.27	DRAWING NO. EDC-126723-31-00		
CHECKED : KN. ICHIKAWA			15.10.27	PART NO. ZX80-B-5P(31)		
DESIGNED : TS. ITO			15.10.27	CODE NO. CL242-0051-0-31		
DRAWN : AK. AKIYAMA			15.10.27	1/2		

Sep.1.2021 Copyright 2021 HIROSE ELECTRIC CO., LTD. All Rights Reserved.  
 In case of consideration for using Automotive equipment / device which demand high reliability, kindly contact our sales window correspondents.

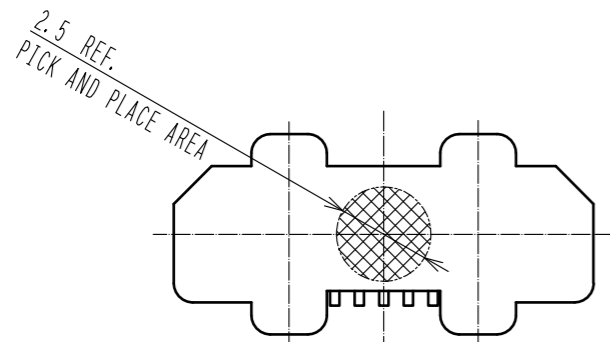
RECOMMENDED PANEL CUTOUT (4:1)



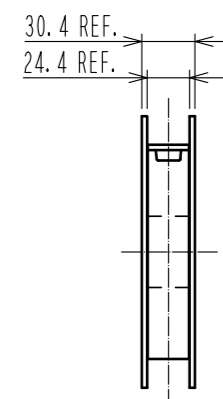
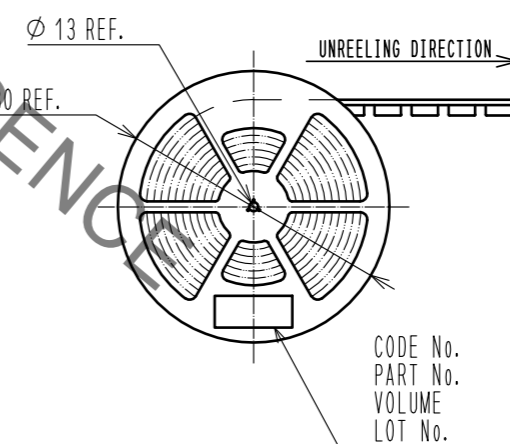
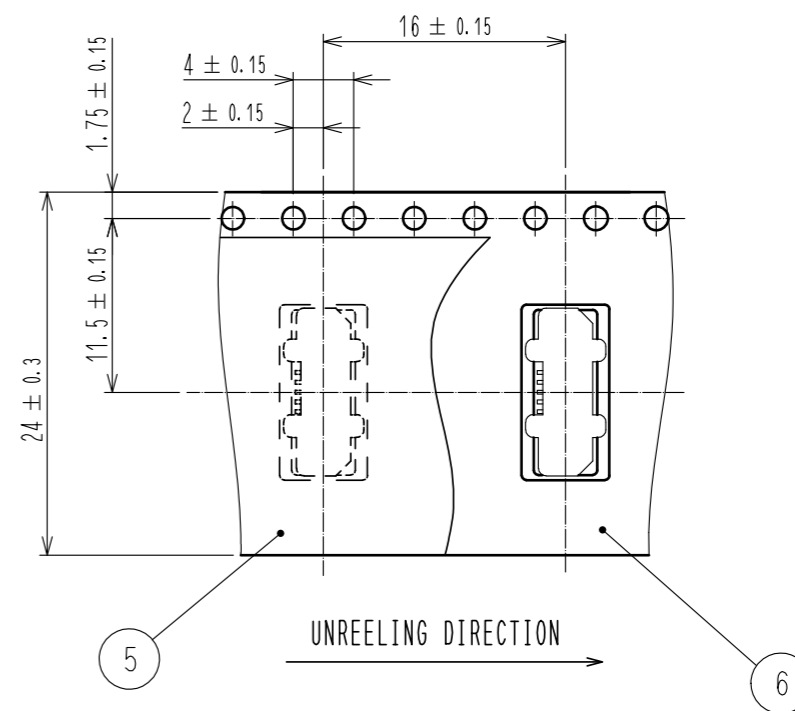
MATED WITH CORRESPONDING PLUG(4:1)



PICK AND PLACE CAP



4 DRAWING FOR PACKING (FREE)



<b>HRS</b>	DRAWING NO.	EDC-126723-31-00	2/2
	PART NO.	ZX80-B-5P(31)	
	CODE NO.	CL242-0051-0-31	

## X-ON Electronics

Largest Supplier of Electrical and Electronic Components

*Click to view similar products for [USB Connectors](#) category:*

*Click to view products by [Hirose](#) manufacturer:*

Other Similar products are found below :

[65-647-8-BK-BU](#) [950](#) [E8144-B01021-L](#) [A-USB A-LP-SMT-C](#) [A-USB B-TOP-C](#) [MUSBA511N5](#) [MUSBD11135](#) [217450-1](#) [CA 6 W LD](#)  
[KMBVX-TH-5S-B30](#) [896-30-004-00-000000](#) [KUSBVX-BS1N-W30](#) [KUSBX-AP-KIT-SCBLK](#) [KUSBX-AS2N-W](#) [KUSBX-SMT2AP1S-W](#)  
[KUSBX-SMT2AP1S-W30](#) [935](#) [957](#) [30-498-6](#) [17-210051](#) [1734082-1](#) [30-1574](#) [30-470](#) [30-489](#) [30-541](#) [30-572-3](#) [MAB 8 SN V](#) [A-USB A-](#)  
[2P-C](#) [MIKROE-1451](#) [USBFTV2PEM2G](#) [USBFTVC6ZN](#) [KUSBX-AS2N-W30](#) [KUSBX-SLAS1N-W](#) [KUSBX-SMT-AS1N-W30](#) [4689-1](#) [1-](#)  
[1734084-2](#) [E8110-001-01](#) [MUSBA81130](#) [33UBARS1-04SW11](#) [33UBAR-04SW11](#) [USBF21ZNSCC](#) [USBBFTV6ZC](#) [10135326-001LF](#)  
[M9177/3-1](#) [USB-A-S-F-B-VT](#) [925](#) [4198](#) [690-024-633-031](#) [KUSBEX-BSFS1N-W](#) [USBFTVC6MRG](#)