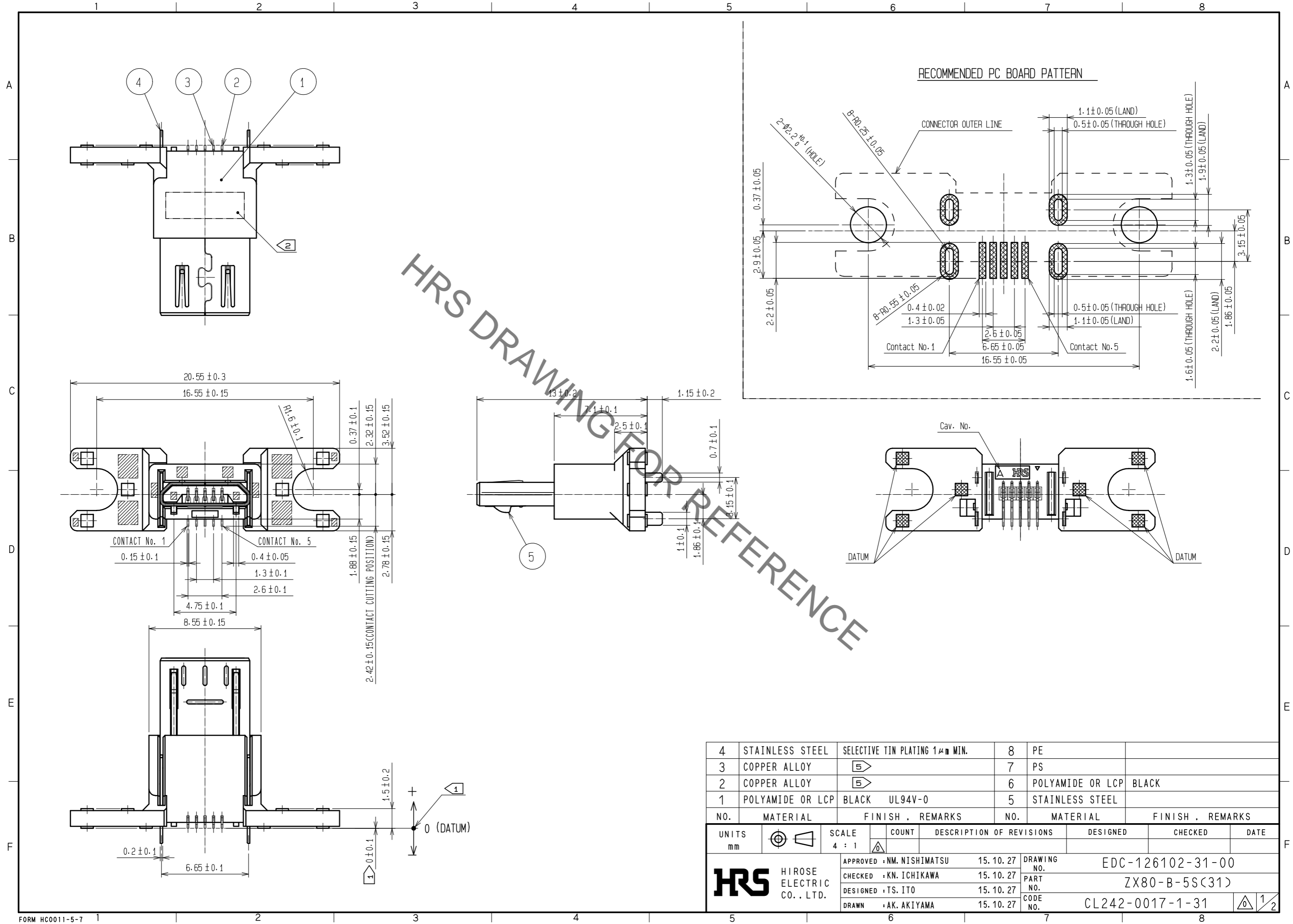


Sep.1.2021 Copyright 2021 HIROSE ELECTRIC CO., LTD. All Rights Reserved.  
In case of consideration for using Automotive equipment / device which demand high reliability, kindly contact our sales window correspondents.

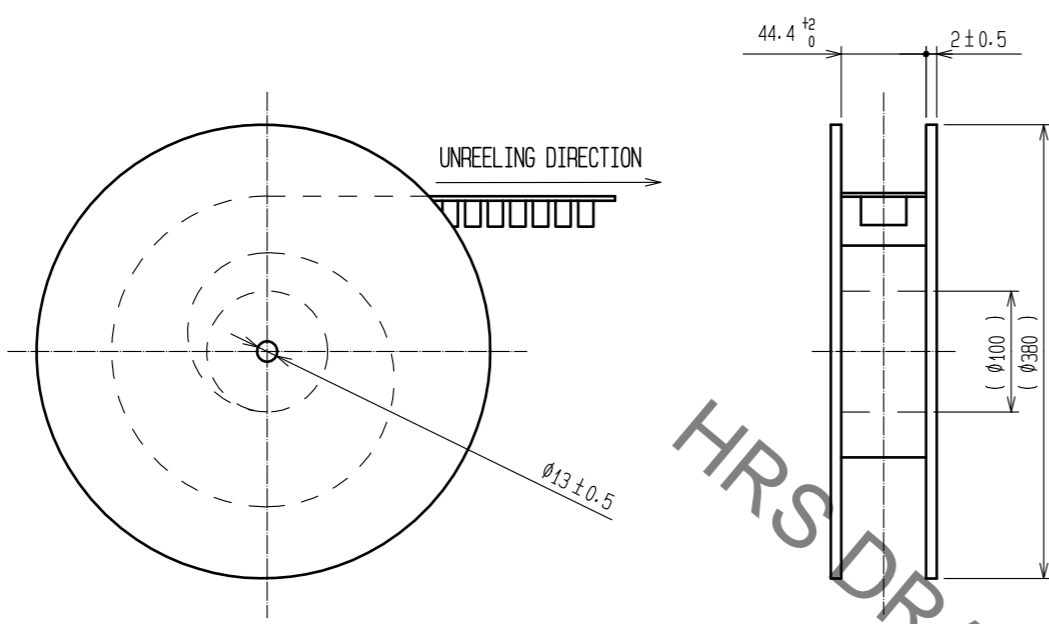


HRS DRAWING FOR REFERENCE

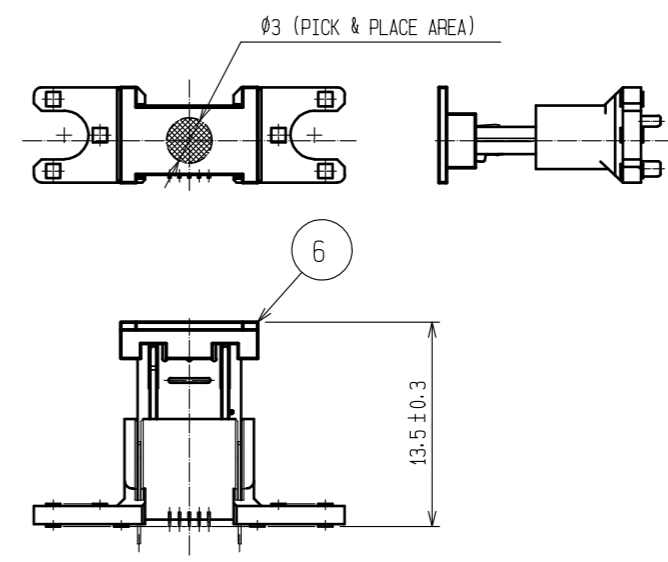
4	STAINLESS STEEL	SELECTIVE TIN PLATING 1μm MIN.	8	PE	
3	COPPER ALLOY	⑤	7	PS	
2	COPPER ALLOY	⑤	6	POLYAMIDE OR LCP	BLACK
1	POLYAMIDE OR LCP	BLACK UL94V-0	5	STAINLESS STEEL	
NO.	MATERIAL	FINISH . REMARKS	NO.	MATERIAL	FINISH . REMARKS
UNITS	mm	SCALE	4 : 1	COUNT	DESCRIPTION OF REVISIONS
		APPROVED	: NM. NISHIMATSU	15.10.27	DESIGNED
		CHECKED	: KN. ICHIKAWA	15.10.27	CHECKED
		DESIGNED	: TS. ITO	15.10.27	DATE
		DRAWN	: AK. AKIYAMA	15.10.27	
DRAWING NO.			EDC-126102-31-00		
PART NO.			ZX80-B-5S(31)		
CODE NO.			CL242-0017-1-31		
			①/2		

Sep.1.2021 Copyright 2021 HIROSE ELECTRIC CO., LTD. All Rights Reserved.  
In case of consideration for using Automotive equipment / device which demand high reliability, kindly contact our sales window correspondents.

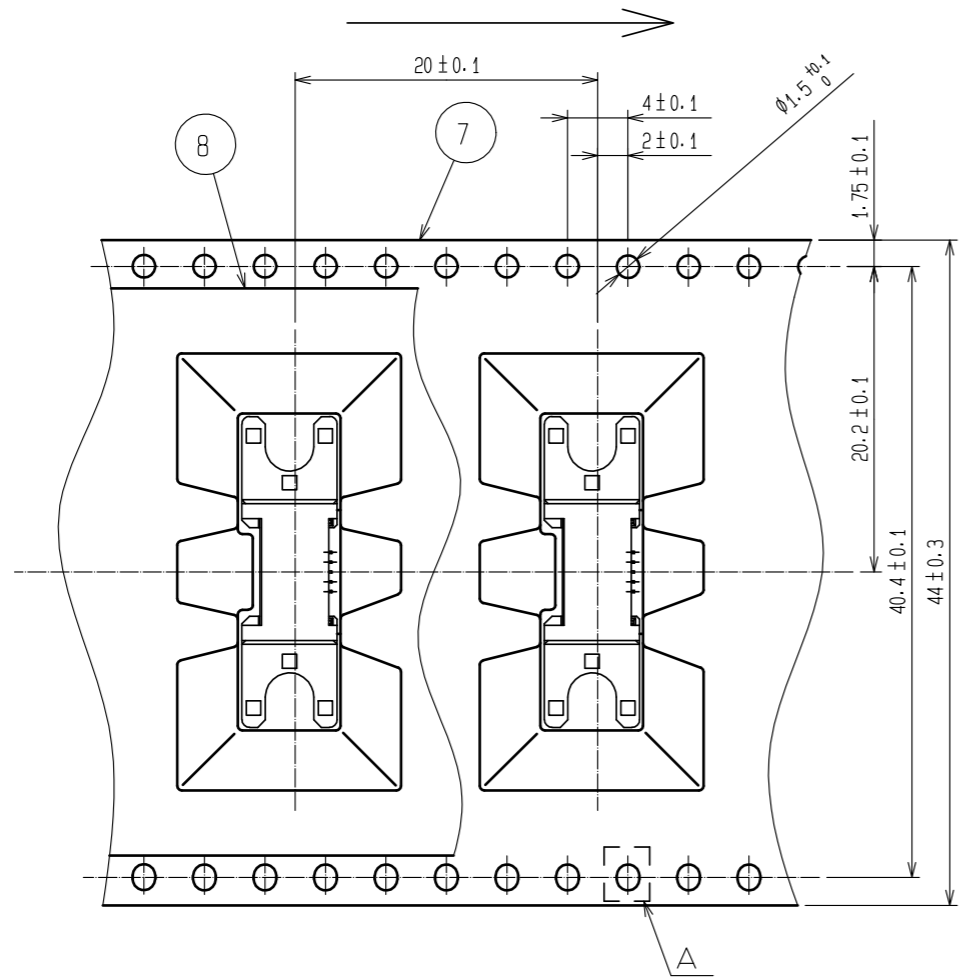
3 DRAWING FOR PACKING(FREE)



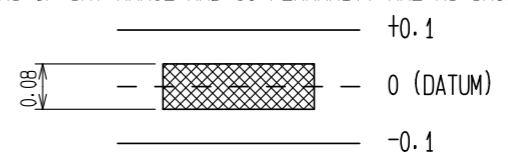
PICK & PLACE CAP(2:1)



UNREELING DIRECTION



NOTES. 1 DIMENSIONS OF SMT RANGE AND CO-PLANARITY ARE AS SHOWN BEROW.



- 2 LOT No. SHALL BE INDICATED AT THE POSITION AS SHOWN.
- 3 PER REEL: 200 pcs.
- 4 THE SHADED AREAS SHOW LOCATIONS OF EJECTOR PINS.
- 5 PLATING  
CONTACT AREA : GOLD 0.75µm MIN.  
READ AREA : GOLD 0.03µm MIN.  
UNDER PLATING: NICKEL 2µm MIN.

<b>HRS</b>	DRAWING NO.	EDC-126102-31-00
	PART NO.	ZX80-B-5S(31)
	CODE NO.	CL242-0017-1-31
		2/2

## X-ON Electronics

Largest Supplier of Electrical and Electronic Components

*Click to view similar products for [USB Connectors](#) category:*

*Click to view products by [Hirose](#) manufacturer:*

Other Similar products are found below :

[65-647-8-BK-BU](#) [950](#) [952](#) [E8144-B01021-L](#) [A-USB A-LP-SMT-C](#) [MUSBA511N5](#) [MUSBD11135](#) [217450-1](#) [CA 6 W LD](#) [KMBVX-TH-5S-B30](#) [896-30-004-00-000000](#) [KUSBVX-BS1N-W30](#) [KUSBX-AP-KIT-SCBLK](#) [KUSBX-AS2N-W](#) [KUSBX-SMT2AP1S-W](#) [KUSBX-SMT2AP1S-W30](#) [935](#) [957](#) [30-498-6](#) [17-210051](#) [1734082-1](#) [30-1574](#) [30-470](#) [30-489](#) [30-541](#) [30-572-3](#) [MAB 8 SN V](#) [A-USB A-2P-C](#) [MIKROE-1451](#) [USBFTV2PEM2G](#) [USBFTVC6ZN](#) [KUSBX-AS2N-W30](#) [KUSBX-SLAS1N-W](#) [KUSBX-SMT-AS1N-W30](#) [4689-1](#) [1-1734084-2](#) [E8110-001-01](#) [MUSBA81130](#) [33UBARS1-04SW11](#) [33UBAR-04SW11](#) [USBF21ZNSCC](#) [USBBFTV6ZC](#) [10135326-001LF](#) [M9177/3-1](#) [USB-A-S-F-B-VT](#) [925](#) [4198](#) [690-024-633-031](#) [KUSBEX-BSFS1N-W](#) [USBFTVC6MRG](#)